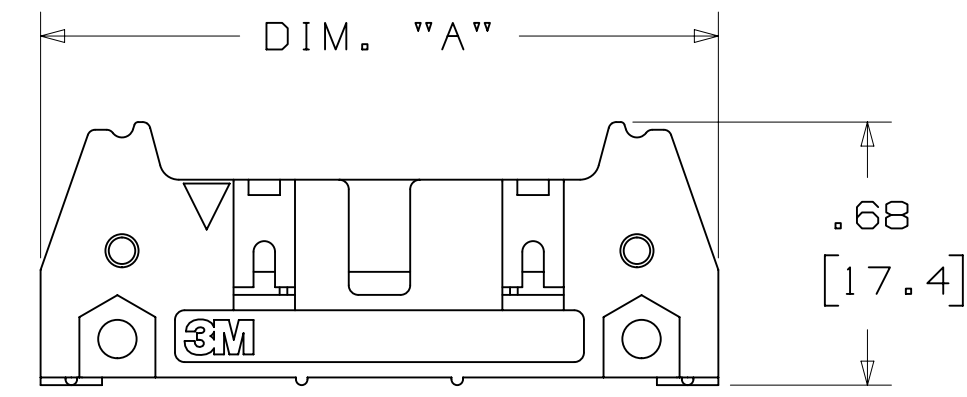
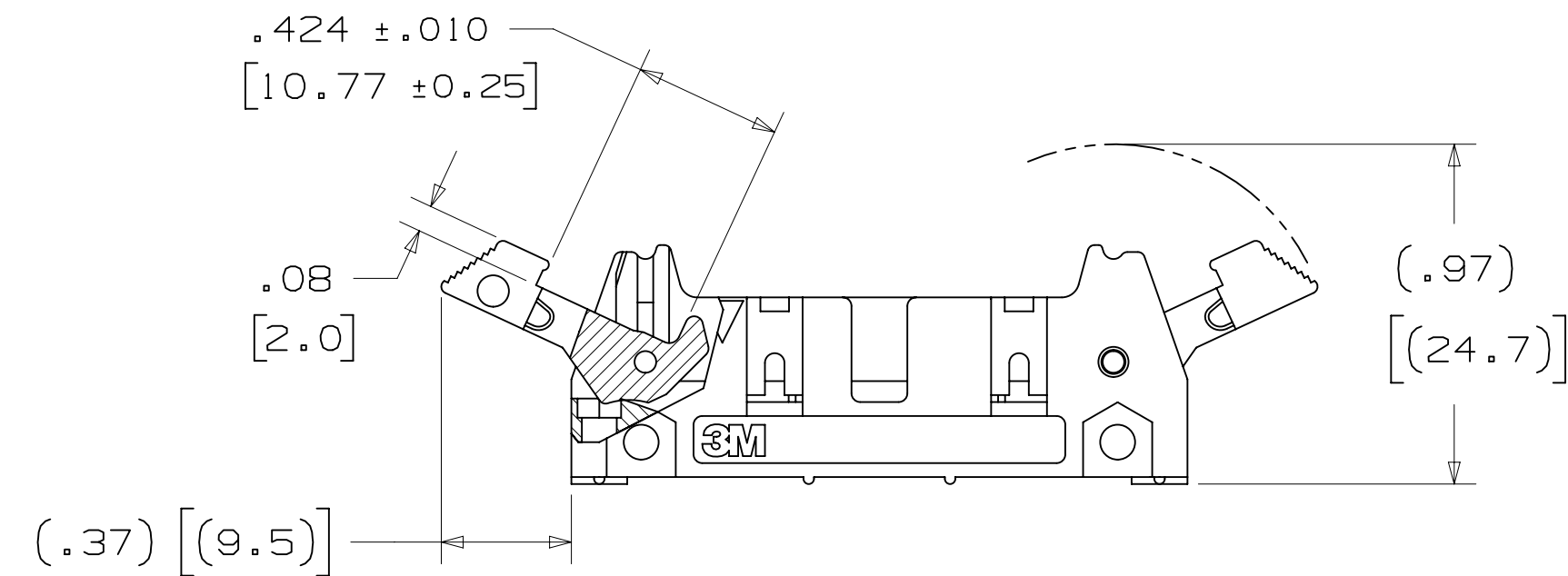


3M™ FOUR-WALL HEADER, 3000 SERIES

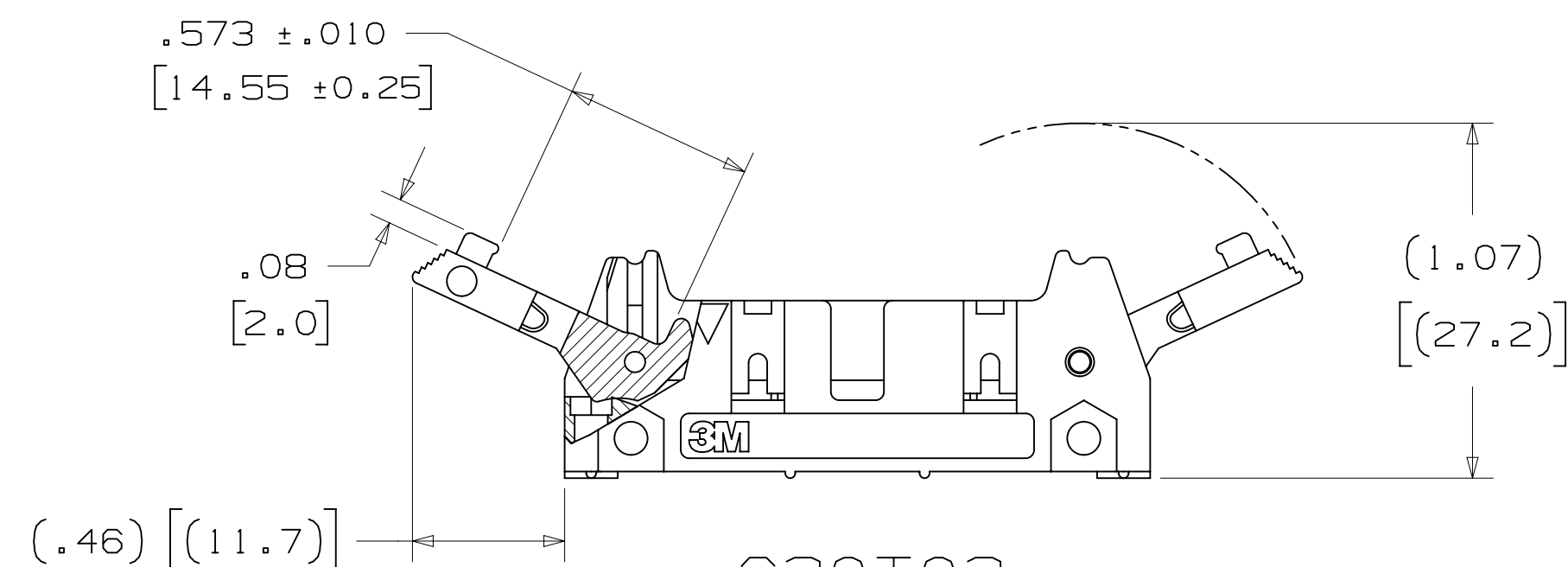
.100" X .100" LATCH/EJECTOR, STRAIGHT, COMPLIANT PIN



-600T02
HEADER WITHOUT LATCH/EJECTOR



-620T02
HEADER WITH SHORT LATCH/EJECTOR
FOR 3M SOCKETS WITHOUT STRAIN RELIEF



-630T02
HEADER WITH LONG LATCH/EJECTOR
FOR 3M SOCKETS WITH STRAIN RELIEF

- * MILITARY (WITH 3M'S N3518 POLARIZING KEY) AND CENTERBUMP POLARIZATION.
- * OPTIONAL EJECTOR LATCHES.
- * MOUNTING HOLES FOR SECURING HEADER TO BOARD.
- * DEPENDABLE EYE-OF-THE-NEEDLE PIN DESIGN.
- * OPTIONAL POLARIZING POSTS AVAILABLE.
- * HIGH TEMPERATURE INSULATOR.

2 PHYSICAL :

INSULATOR: GLASS FILLED POLYESTER (PCT)
 MATERIAL: GLASS FILLED POLYESTER (PCT)
 FLAMMABILITY: UL94V-0
 COLOR: BLACK
 CONTACT: COPPER ALLOY
 MATERIAL: COPPER ALLOY
 PLATING:
 UNDER PLATING: 100μ" [2.54μm] NICKEL
 WIPING AREA: 30μ" [0.76μm] AVG. GOLD
 SOLDER TAILS: 100μ" [2.54μm] TIN LEAD OR 300μ" [7.62μm] MATTE TIN
 (SEE ORDERING INFORMATION)
 MARKINGS: 3M LOGO, PART IDENTIFICATION NUMBER AND ORIENTATION TRIANGLE

2 ELECTRICAL :

CURRENT RATING: 1A
 INSULATION RESISTANCE: >1 X 10⁹Ω AT 500 V_{DC}
 WITHSTANDING VOLTAGE: 1,000V_{RMS} AT SEA LEVEL

2 ENVIRONMENTAL :

TEMPERATURE RATING: -55° C TO 105° C

- NOTES
1. REGULATORY INFORMATION: ROHS COMPLIANT. SEE THE REGULATORY INFORMATION APPENDIX (RIA) IN THE "ROHS COMPLIANCE" SECTION OF WWW.3MCONNECTORS.COM FOR COMPLIANCE INFORMATION.
 2. IN THE EVENT OF CONFLICT BETWEEN THIS DATA AND THAT CONTAINED IN THE PRODUCT SPECIFICATION, THE PRODUCT SPECIFICATION TAKES PRECEDENT.
 3. NOTCHES A & C WILL ACCOMMODATE 3M POLARIZING KEY: N3518.
 4. MOUNTING HARDWARE:
 REAR ENTRY:
 #4-24 THREAD CUTTING SCREW (3M PART #3341-5) WITH Ø.116 [2.95] MOUNTING HOLE.
 FRONT ENTRY:
 (PRIOR TO INSTALLATION OF LATCH)
 #2-56 BOLT AND NUT (3M PART #3341-6) WITH Ø.106 [2.69] MOUNTING HOLE.

ORDERING INFORMATION

X XXXX-6X0T02XX

N = HIGH TEMP BLACK (PCT)/(RB PLATING REQ'D)
 BLANK = (TC PLATING REQUIRED)

3M PART NUMBER:
 (SEE TABLE 1)

PLATING:
 RB = 30μ" [0.76μm] GOLD WITH MATTE TIN TAILS
 (APP. E1 & C1 APPLY)
 TC = 30μ" [0.76μm] GOLD WITH TIN LEAD TAILS
 (APP. E2 & C2 APPLY)

LATCH/EJECTOR SYSTEM:
 0 = NO LATCH/EJECTOR INSTALLED
 2 = SHORT ROLL PIN LATCH/EJECTORS
 3 = LONG ROLL PIN LATCH/EJECTORS

3M ELECTRONIC MATERIALS SOLUTIONS DIVISION
 INTERCONNECT SOLUTIONS
<http://www.3mconnectors.com>

3M IS A TRADEMARK OF 3M COMPANY.
 FOR TECHNICAL, SALES OR ORDERING
 INFORMATION CALL 800-225-5373

3M
 UL FILE NO: E68080

DIMENSIONS: INCHES [MM]
 [MM] IS REF. ONLY

DESIGN REFERENCE	NEXT ASSEMBLY	REV	ECO	ISSUE DATE AND DESCRIPTION	DRFT	CHKD
				JUL 31, 2014	JNC	RS
DO NOT SCALE DRAWING	SCALE 2/1	TOLERANCES EXCEPT AS NOTED		INCHES .00 ± .01 .000 ± .005 .0000 ±		
THIRD ANGLE PROJECTION	INTERPRET PER ASME Y14.5 - 2009	MILLIMETERS		0 ± .00 ± .13 .000 ±		
MAX SURFACE ROUGHNESS	1.6 SURFACES	CAGE NUMBER		D 78-5100-0478-7 MODEL 3000 SERIES		
MARKED ONLY	ANGLES	REV. NUMBER		E 1 OF 4		

78-5100-0478-7
 DRAWING NUMBER
 E
 REVISION
 8:22 AM UTC-06:00
 2/10/2015
 E

