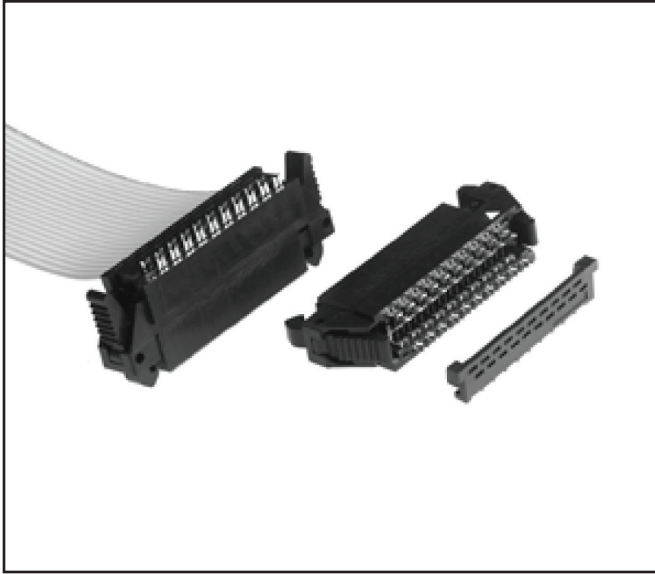


# 3M™ Pak 50 Wiremount Socket

.050" Wiremount Socket for .050" Pitch Cable

P50E Series



- P50E connector terminates two separate 1.27 mm (50 mil) pitch flat ribbon cables
- Accepts 28 AWG PVC cable
- Latch/eject mechanism maintains a secure connection
- Cable strain relief standard
- Finished cable assemblies to customer specifications
- Tooling available for customer cable assembly termination
- RoHS Compliant. See the Regulatory Information Appendix (RIA) in the "RoHS Compliance" section of [www.3Mconnector.com](http://www.3Mconnector.com) for compliance information (RIA E1 and C1 apply)

Date Modified: February 1, 2011

TS-1143-D  
Sheet 1 of 2

---

## Physical

### Insulator:

Material: Glass Filled LCP

Flammability: UL 94V-0

Color: Black

Contact Material: Copper Alloy

### Plating:

Underplating: Nickel

Wiping Area: 0.25  $\mu\text{m}$  [ 10  $\mu\text{m}$  ] Gold

Termination Area: Gold Flash

Wire Accommodation: 28 AWG Stranded PVC Flat Ribbon Cable, 7 strands x 0.050" (0.127 mm) pitch  
(Recommended 3M Cable Series: 3365, 3667, 3782)

Mating Compatibility: TS-1144

---

## Electrical

**Current Rating:** 0.5 A

**Insulation Resistance:**  $> 1 \times 10^9 \Omega$  at 500  $V_{DC}$

**Withstanding Voltage:** 650  $V_{AC}$  for 1 minute

---

## Environmental

**Temperature Rating:** -55°C to +85°C

UL File No.: E68080

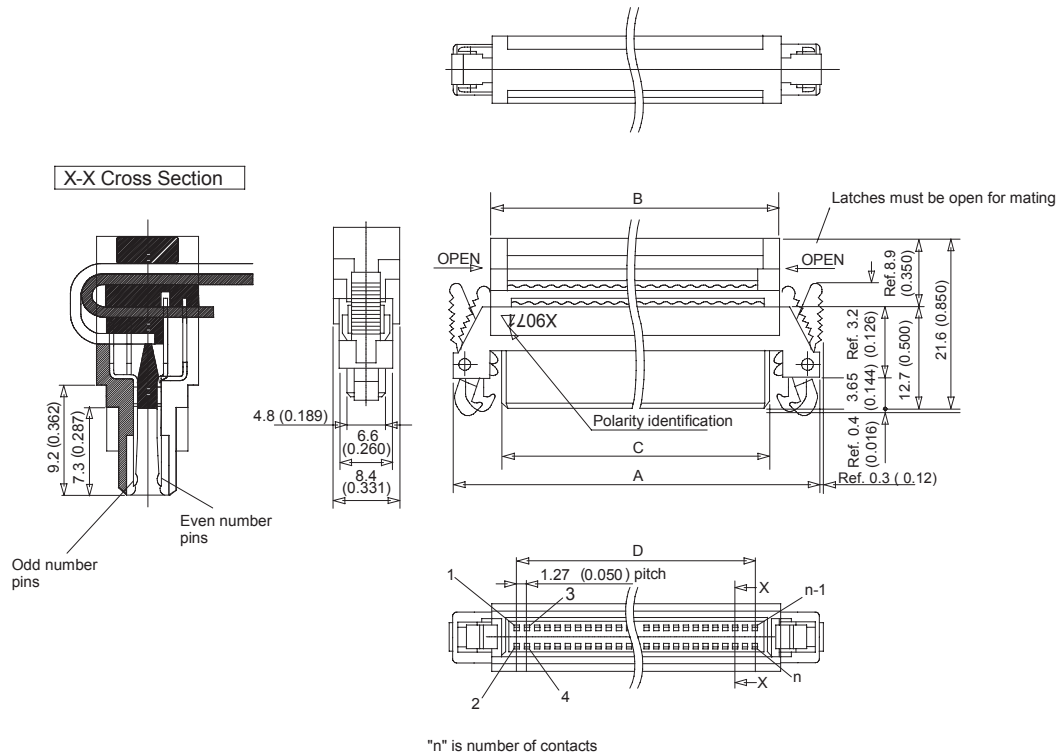
# 3M™ Pak 50 Wiremount Socket

.050" Wiremount Socket for .050" Pitch Cable

P50E Series

Contact Quantity	A	B	C	D
20	27.83 (1.096)	17.83 (0.702)	15.43 (0.607)	11.43 (0.450)
26	31.64 (1.246)	21.64 (0.852)	19.24 (0.757)	15.24 (0.600)
30	34.18 (1.346)	24.18 (0.952)	21.78 (0.857)	17.78 (0.700)
32	35.45 (1.396)	25.45 (1.002)	23.05 (0.907)	19.05 (0.750)
34	36.72 (1.446)	26.72 (1.052)	24.32 (0.957)	20.32 (0.800)
36	37.99 (1.496)	27.99 (1.102)	25.59 (1.007)	21.59 (0.850)
40	40.53 (1.596)	30.53 (1.202)	28.13 (1.107)	24.13 (0.950)

Contact Quantity	A	B	C	D
50	46.88 (1.846)	36.88 (1.452)	34.48 (1.357)	30.48 (1.200)
52	48.15 (1.896)	38.15 (1.502)	35.75 (1.407)	31.75 (1.250)
60	53.23 (2.096)	43.23 (1.702)	40.83 (1.607)	36.83 (1.450)
68	58.31 (2.296)	48.31 (1.902)	45.91 (1.807)	41.91 (1.650)
80	65.93 (2.596)	55.93 (2.202)	53.53 (2.107)	49.53 (1.950)
100	78.63 (3.096)	68.63 (2.702)	66.23 (2.607)	62.23 (2.450)



Note: Strain relief standard.



## Ordering Information

**P50E - XXXS - EA** (RIA E1 and C1 apply)

Contact Quantity: \_\_\_\_\_  
See Table

Application tools: 3M™ Press 3640 (or equivalent), 3M™ Locator Plate 3443-128, 3M™ Platen 3442-126.

TS-1143-D  
Sheet 2 of 2

**Important Notice**

All statements, technical information, and recommendations related to 3M's products are based on information believed to be reliable, but the accuracy or completeness is not guaranteed. Before using this product, you must evaluate it and determine if it is suitable for your intended application. You assume all risks and liability associated with such use. Any statements related to the product which are not contained in 3M's current publications, or any contrary statements contained on your purchase order shall have no force or effect unless expressly agreed upon, in writing, by an authorized officer of 3M.

**Warranty; Limited Remedy; Limited Liability.**

This product will be free from defects in material and manufacture for a period of one (1) year from the time of purchase. **3M MAKES NO OTHER WARRANTIES INCLUDING, BUT NOT LIMITED TO, ANY IMPLIED WARRANTY OF MERCHANTABILITY OR FITNESS FOR A PARTICULAR PURPOSE.** If this product is defective within the warranty period stated above, your exclusive remedy shall be, at 3M's option, to replace or repair the 3M product or refund the purchase price of the 3M product. **Except where prohibited by law, 3M will not be liable for any indirect, special, incidental or consequential loss or damage arising from this 3M product, regardless of the legal theory asserted.**

**3M Electronics Solutions Division**

6801 River Place Blvd.  
Austin, TX 78726-9000  
U.S.A.  
1-800-225-5373  
[www.3Mconnector.com](http://www.3Mconnector.com)

Please recycle. Printed in USA.  
© 3M 2010. All rights reserved.  
RIA-2217B-E

3M is a trademark of 3M Company.