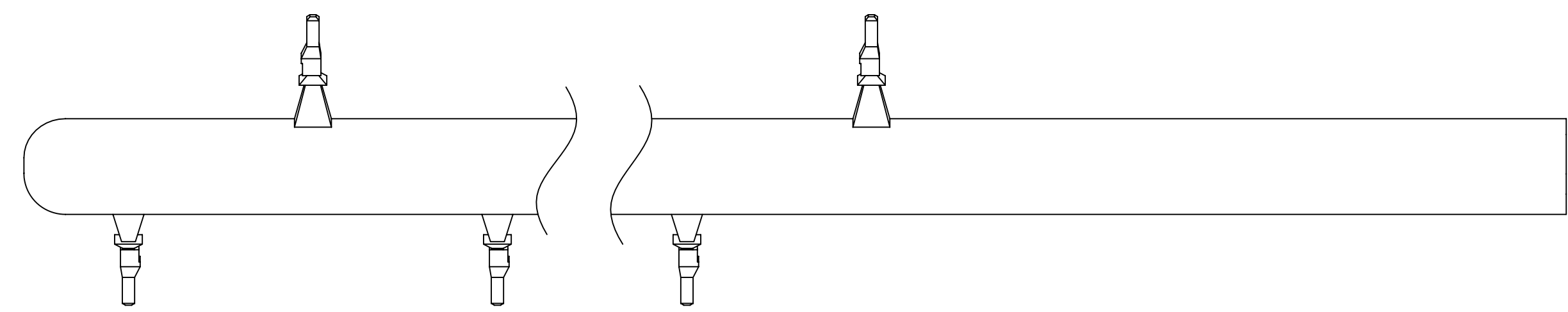
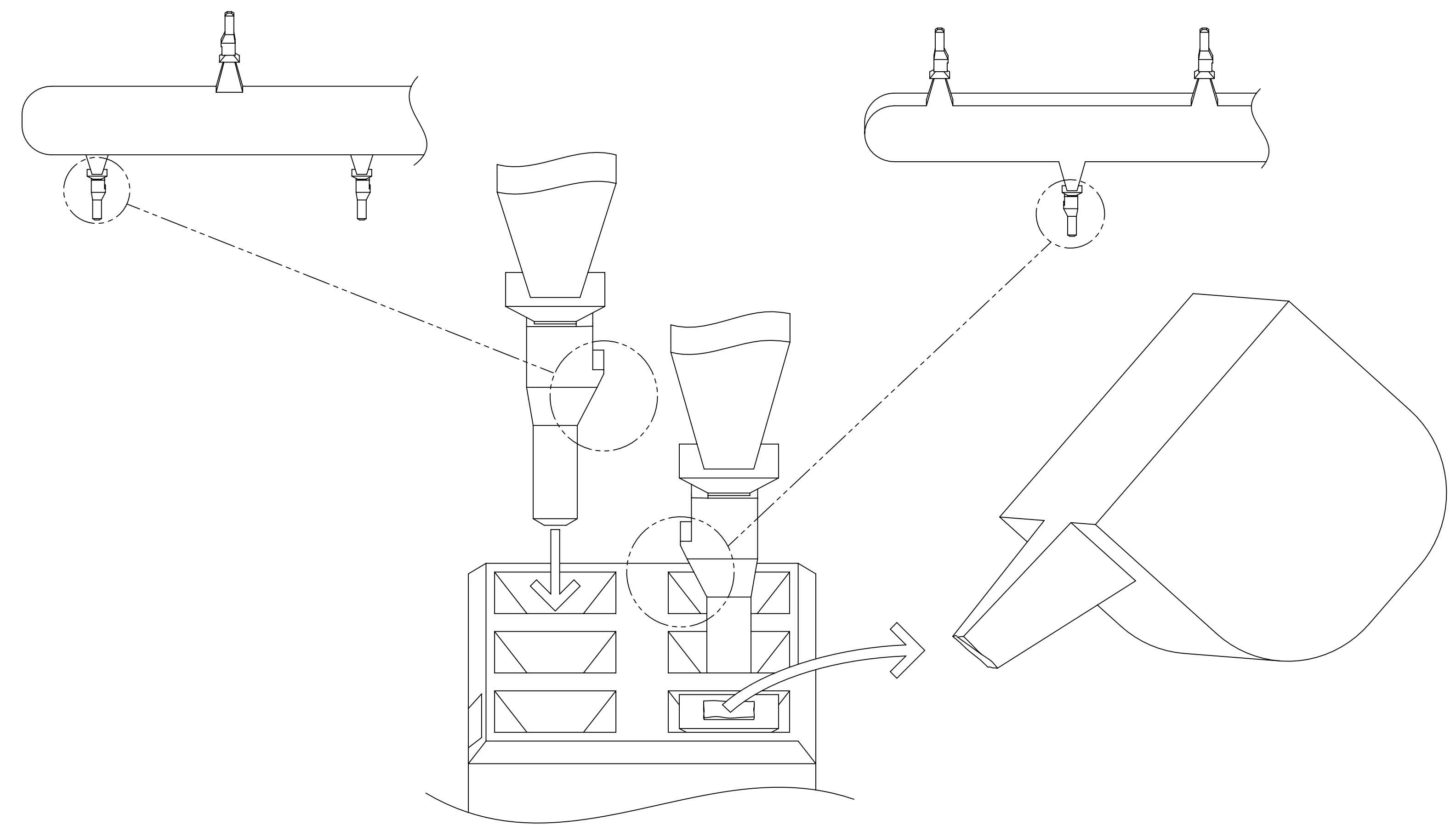


3M™ Ribbon Cable Socket 2 mm X 2 mm Pitch 158 Series



POLARIZING KEY
3435-152200



POLARIZING KEY ORIENTATION AND INSTALLATION

RIBBON CABLE SOCKET ACCESSORIES

DESIGN REFERENCE	NEXT ASSEMBLY	REV	ECO	ISSUE DATE AND DESCRIPTION	DRFT	CHKD
		DRP	DATE	MFG	DATE	
		L. SCHMIDT	JUL 23, 2010			
		CHKD	DATE	APPV	DATE	
				S. FELDMAN	JUL 30, 2010	
DIVISION		DIVISION CODE				
DO NOT SCALE DRAWING	SCALE 1/1	TOLERANCES EXCEPT AS NOTED				
THIRD ANGLE PROJECTION		INCHES				
INTERPRET PER ASME Y14.5 - 1994		MILLIMETERS				
MAX SURFACE ROUGHNESS		ANGLES ±1°				
125 <input type="checkbox"/> ALL SURFACES						
<input checked="" type="checkbox"/> MARKED ONLY						
		© 3M COPYRIGHT 2010 This document and the information it contains are 3M property and may not be reproduced or further distributed without 3M permission, or used or disclosed other than for 3M authorized purposes. All rights reserved.				
		TITLE 3M RIBBON CABLE SOCKET 2 MM x 2 MM PITCH 158 SERIES				
		CAGE NUMBER	SIZE	DRAWING NO.	REV.	
		D		78-5100-2358-9	F	
		MODEL	DET		SHT 3 OF 3	
				<input type="checkbox"/> YES <input checked="" type="checkbox"/> NO		

METRIC [ENGLISH]

78-5100-2358-9
DRAWING NUMBER

A