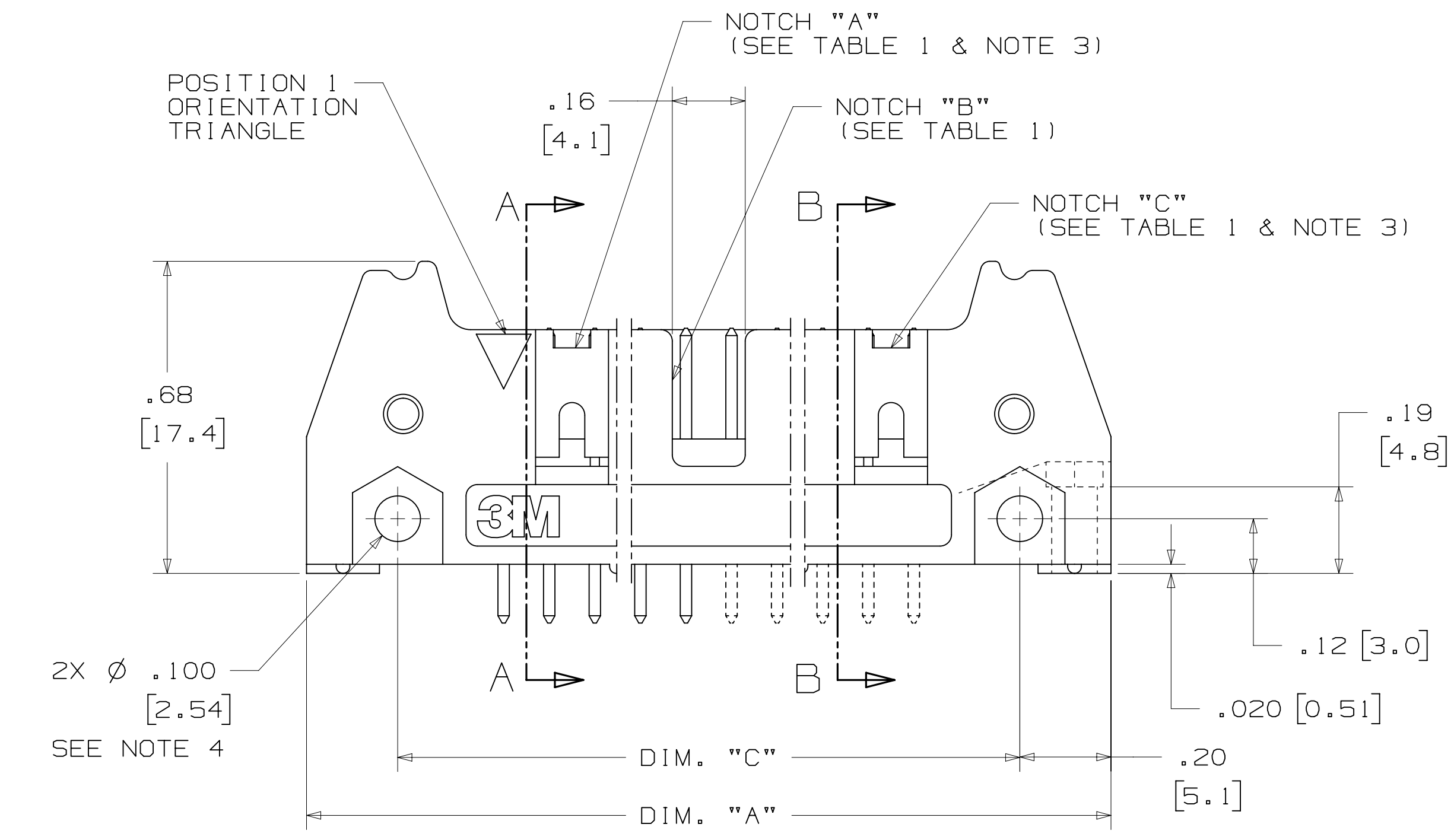
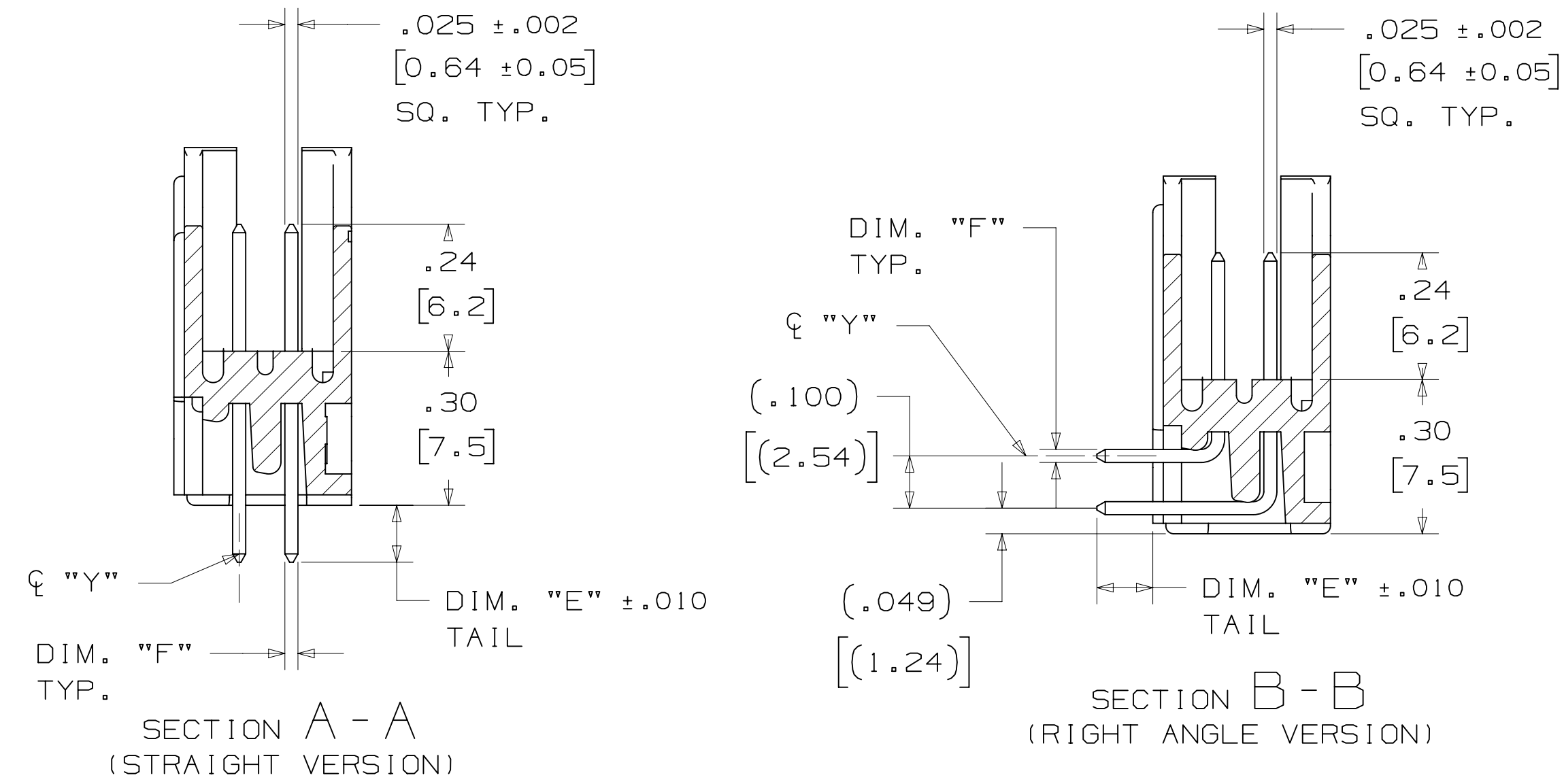




# 3M™ FOUR-WALL HEADER, 3000 SERIES

.100" X .100" LATCH/EJECTOR, STRAIGHT AND RIGHT ANGLE



PIN QTY.	3M PART NUMBER	DIM. "A"	DIM. "B"	DIM. "C"	DIM. "D"	POLARIZING NOTCHES	PIN QTY.
06	3869	1.06 [27.0]	.905 [22.99]	.665 [16.89]	.51 [12.9]	B*	06
08	3889	1.16 [29.5]	1.005 [25.53]	.765 [19.43]	.61 [15.5]	B*	08
10	3793	1.26 [32.1]	1.105 [28.04]	.865 [21.97]	.71 [18.0]	BC	10
14	3314	1.46 [37.2]	1.305 [33.12]	1.065 [27.05]	.91 [23.1]	BC	14
16	3408	1.56 [39.7]	1.405 [35.66]	1.165 [29.59]	1.01 [25.6]	ABC	16
20	3428	1.76 [44.8]	1.604 [40.74]	1.365 [34.67]	1.21 [30.7]	ABC	20
24	3627	1.96 [49.9]	1.805 [45.82]	1.565 [39.75]	1.41 [35.8]	ABC	24
26	3429	2.06 [52.4]	1.905 [48.36]	1.665 [42.29]	1.51 [38.3]	ABC	26
30	3440	2.26 [57.5]	2.105 [53.44]	1.865 [47.37]	1.71 [43.4]	ABC	30
34	3431	2.46 [62.6]	2.305 [58.52]	2.065 [52.45]	1.91 [48.5]	ABC	34
40	3432	2.76 [70.2]	2.605 [66.14]	2.365 [60.07]	2.21 [56.1]	ABC	40
50	3433	3.26 [82.9]	3.105 [78.84]	2.865 [72.77]	2.71 [68.8]	ABC	50
60	3372	3.76 [95.6]	3.605 [91.54]	3.365 [85.47]	3.21 [81.5]	ABC	60
64	3764	3.96 [100.7]	3.805 [96.62]	3.565 [90.55]	3.41 [86.6]	ABC	64

\* AVAILABLE WITHOUT CENTER NOTCH B. CONTACT 3M

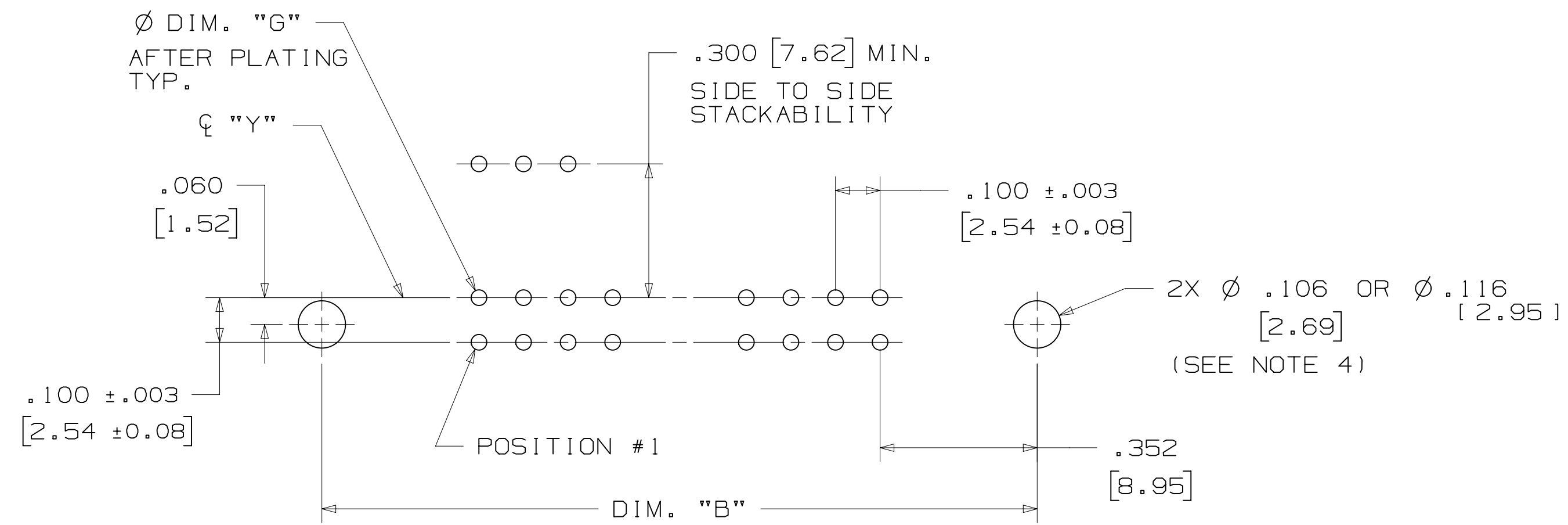
3M PART NUMBER SUFFIX	CONTACT TAIL	DIM. "E"	PIN CROSS SECTION			DIM. "G"
-5XX2	.062 [1.57] THICK PC BOARD	.112 [2.84]	DIM. "F"	DIAGONALS	CORNER RADIUS	.035±.003 [.89]
-6XX2			.0245±.0005 [.622]	.028±.001 [.71]	.0075 REF. [.191]	SEE NOTE 5
-5X03	.094 [2.39] TO .125 [3.18] THICK PC BOARD	.155 [3.94]	.0245±.0005 [.622]	.028±.001 [.71]	.0075 REF. [.191]	.035±.003 [.89]
-6X03						

DESIGN REFERENCE	NEXT ASSEMBLY	REV	ECO	ISSUE DATE AND DESCRIPTION	DRFT	CHKD
		CASTIGLIONE		JUL 25, 2014		
DIVISION: Interconnect Solutions		DIVISION CODE: EMSD		DATE: SEP 05, 2014		
DO NOT SCALE DRAWING	SCALE: 4/1	TOLERANCES EXCEPT AS NOTED				
THIRD ANGLE PROJECTION	INTERPRET PER ASME Y14.5 - 2009	MILLIMETERS		TITLE: HEADER, 4-WALL, .100 X .100 LATCH/EJECTOR, STRAIGHT & RA CAGE NUMBER: D78-5100-0772-3 MODEL: 3000 SERIES		
MAX SURFACE ROUGHNESS	DEF SURFACES	INCHES		REV. S SHT 2 OF 4		

78-5100-0772-3  
 DRAWING NUMBER  
 3/6/2015 12:54 PM UTC-06:00  
 REVISION

# 3M™ FOUR-WALL HEADER, 3000 SERIES

.100" X .100" LATCH/EJECTOR, STRAIGHT AND RIGHT ANGLE



RECOMMENDED MOUNTING HOLE PATTERN  
(STRAIGHT VERSION)



RECOMMENDED MOUNTING HOLE PATTERN  
(RIGHT ANGLE VERSION)

## PART CUSTOMIZATION

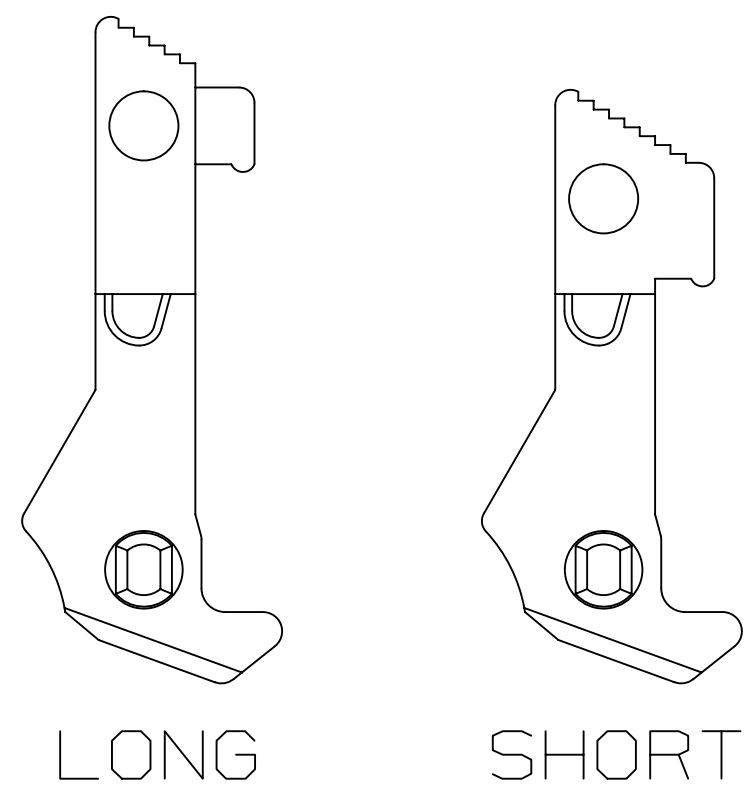
THIS SPEC SHEET DETAILS OUR STANDARD OFFERING.

3M HAS SEVERAL CAPABILITIES THAT CAN PROVIDE A PART TAILORED TO YOUR SPECIFIC NEEDS. ASK YOUR 3M SALES REPRESENTATIVE OR CUSTOMER SERVICE FOR MORE DETAILS.

BOTH SNAP-IN AND ROLL PIN LATCHES MAY BE ORDERED SEPARATELY. SNAP-IN AND ROLL PIN STYLE LATCHES ARE DIMENSIONALLY AND FUNCTIONALLY EQUIVALENT. IF ORDERING SNAP-IN OR ROLL PIN STYLE LATCHES SEPARATELY, PLEASE USE THE BELOW CHART.

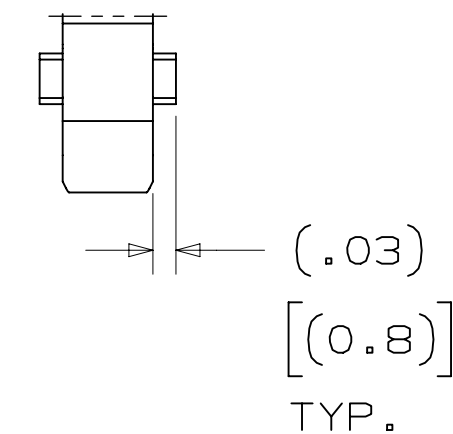
MATERIAL	SHORT LATCH	LONG LATCH	LATCH STYLE	COLOR
HIGH TEMP. (PCT)	N3505-2B	N3505-3B	ROLL PIN	BLACK
HIGH TEMP. (PPA)	N3505-30B	N3505-31B	SNAP-IN	BLACK

- \* SELECTIVE PIN REMOVAL (ATA OR OTHER COMPATABILITY)
- \* WIRE WRAP TAILS STYLE

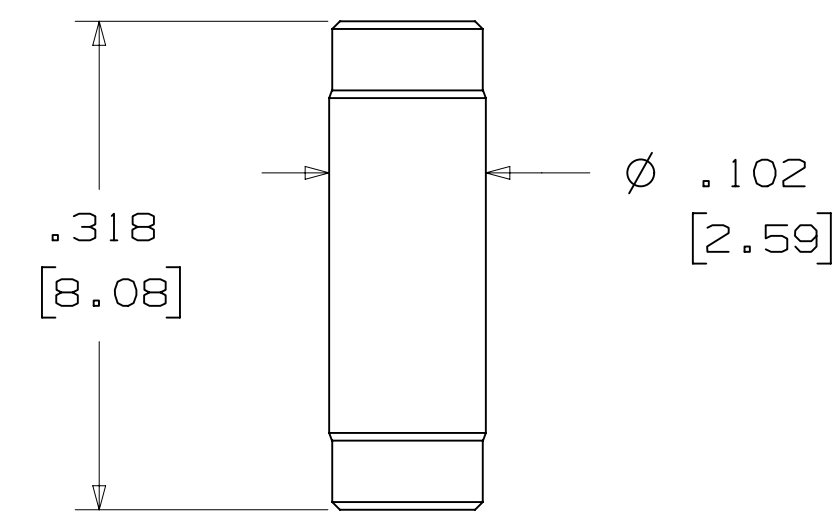


SNAP-IN LATCHES

NOTE:  
SNAP-IN LATCHES CAN ONLY BE ORDERED SEPARATELY AND ARE THE CUSTOMERS RESPONSIBILITY TO INSTALL.



## POLARIZING POST



3M PART NO.	MATERIAL	COLOR
3201-4	LCP	BLACK

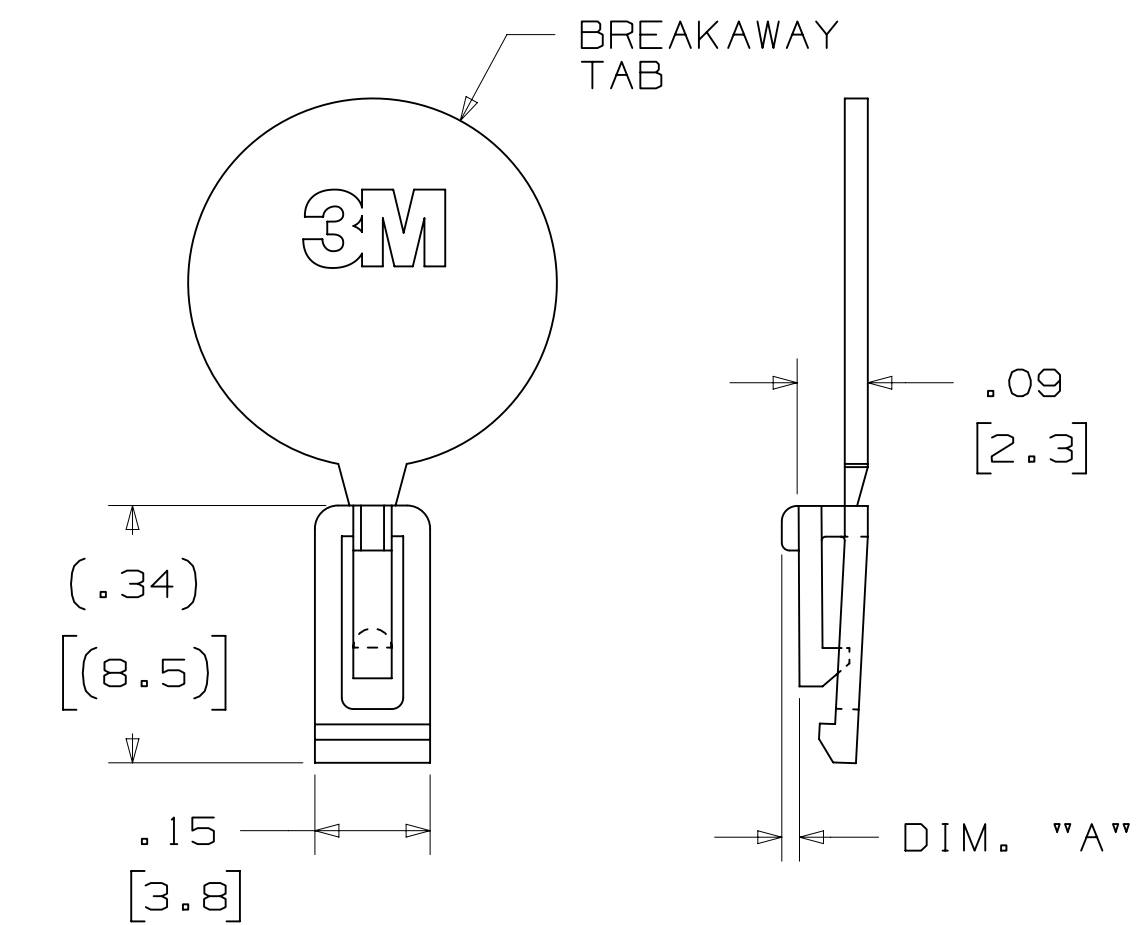
NOTE:  
INSERT POST INTO ONE MOUNTING HARDWARE HOLE ON BOTTOM OF HEADER. SET POST TO PROTRUDE .115 [2.92]

## K2 OPTION

2500 & 3000 SERIES SHROUDED HEADER						
TOTAL NO. OF PINS	NO. OF TAILS KINKED	POSITIONS KINKED				
10	4	3	4	7	8	
14	4	3	4	11	12	
16	4	3	4	13	14	
20	4	3	4	17	18	
24	4	3	4	21	22	
26	4	3	4	23	24	
30	4	5	6	25	26	
34	4	7	8	27	28	
36	4	7	8	27	28	
40	4	7	8	33	34	
50	4	7	8	43	44	
60	4	11	12	49	50	
64	4	11	12	53	54	

KINKED TAIL DETAIL:  
- KINK IS LOCATED .05" BELOW BOTTOM SURFACE OF PLASTIC.  
- EXTERNAL RADIUS OF KINK TOWARD PART CENTERLINE.

## POLARIZING KEYS



3M PART NO.	MATERIAL	COLOR	DIM. "A"
N3518	LCP	BLACK	.02

NOTE:  
#2216 B/A SCOTCHWELD CAN BE USED TO ADHERE KEYS.

DESIGN REFERENCE	NEXT ASSEMBLY	REV	ECO	ISSUE DATE AND DESCRIPTION	DRFT	CHKD
		S	60056	MAR 06, 2015 REVISE ORDERING NUMBER	JNC	RS
		R	56068	JUL 25, 2014 REVISED AND REDRAWN	JNC	RS
		CHKD		DATE JUL 25, 2014	DATE SEP 05, 2014	
		DRFT		DATE JUL 25, 2014	DATE SEP 05, 2014	
		APPRV		DATE JUL 25, 2014	DATE SEP 05, 2014	
		CHKD		DATE JUL 25, 2014	DATE SEP 05, 2014	
		APPRV		DATE JUL 25, 2014	DATE SEP 05, 2014	
		CHKD		DATE JUL 25, 2014	DATE SEP 05, 2014	
		APPRV		DATE JUL 25, 2014	DATE SEP 05, 2014	
		CHKD		DATE JUL 25, 2014	DATE SEP 05, 2014	
		APPRV		DATE JUL 25, 2014	DATE SEP 05, 2014	
		CHKD		DATE JUL 25, 2014	DATE SEP 05, 2014	
		APPRV		DATE JUL 25, 2014	DATE SEP 05, 2014	
		CHKD		DATE JUL 25, 2014	DATE SEP 05, 2014	
		APPRV		DATE JUL 25, 2014	DATE SEP 05, 2014	
		CHKD		DATE JUL 25, 2014	DATE SEP 05, 2014	
		APPRV		DATE JUL 25, 2014	DATE SEP 05, 2014	
		CHKD		DATE JUL 25, 2014	DATE SEP 05, 2014	
		APPRV		DATE JUL 25, 2014	DATE SEP 05, 2014	
		CHKD		DATE JUL 25, 2014	DATE SEP 05, 2014	
		APPRV		DATE JUL 25, 2014	DATE SEP 05, 2014	
		CHKD		DATE JUL 25, 2014	DATE SEP 05, 2014	
		APPRV		DATE JUL 25, 2014	DATE SEP 05, 2014	
		CHKD		DATE JUL 25, 2014	DATE SEP 05, 2014	
		APPRV		DATE JUL 25, 2014	DATE SEP 05, 2014	
		CHKD		DATE JUL 25, 2014	DATE SEP 05, 2014	
		APPRV		DATE JUL 25, 2014	DATE SEP 05, 2014	
		CHKD		DATE JUL 25, 2014	DATE SEP 05, 2014	
		APPRV		DATE JUL 25, 2014	DATE SEP 05, 2014	
		CHKD		DATE JUL 25, 2014	DATE SEP 05, 2014	
		APPRV		DATE JUL 25, 2014	DATE SEP 05, 2014	
		CHKD		DATE JUL 25, 2014	DATE SEP 05, 2014	
		APPRV		DATE JUL 25, 2014	DATE SEP 05, 2014	
		CHKD		DATE JUL 25, 2014	DATE SEP 05, 2014	
		APPRV		DATE JUL 25, 2014	DATE SEP 05, 2014	
		CHKD		DATE JUL 25, 2014	DATE SEP 05, 2014	
		APPRV		DATE JUL 25, 2014	DATE SEP 05, 2014	
		CHKD		DATE JUL 25, 2014	DATE SEP 05, 2014	
		APPRV		DATE JUL 25, 2014	DATE SEP 05, 2014	
		CHKD		DATE JUL 25, 2014	DATE SEP 05, 2014	
		APPRV		DATE JUL 25, 2014	DATE SEP 05, 2014	
		CHKD		DATE JUL 25, 2014	DATE SEP 05, 2014	
		APPRV		DATE JUL 25, 2014	DATE SEP 05, 2014	
		CHKD		DATE JUL 25, 2014	DATE SEP 05, 2014	
		APPRV		DATE JUL 25, 2014	DATE SEP 05, 2014	
		CHKD		DATE JUL 25, 2014	DATE SEP 05, 2014	
		APPRV		DATE JUL 25, 2014	DATE SEP 05, 2014	
		CHKD		DATE JUL 25, 2014	DATE SEP 05, 2014	
		APPRV		DATE JUL 25, 2014	DATE SEP 05, 2014	
		CHKD		DATE JUL 25, 2014	DATE SEP 05, 2014	
		APPRV		DATE JUL 25, 2014	DATE SEP 05, 2014	
		CHKD		DATE JUL 25, 2014	DATE SEP 05, 2014	
		APPRV		DATE JUL 25, 2014	DATE SEP 05, 2014	
		CHKD		DATE JUL 25, 2014	DATE SEP 05, 2014	
		APPRV		DATE JUL 25, 2014	DATE SEP 05, 2014	
		CHKD		DATE JUL 25, 2014	DATE SEP 05, 2014	
		APPRV		DATE JUL 25, 2014	DATE SEP 05, 2014	
		CHKD		DATE JUL 25, 2014	DATE SEP 05, 2014	
		APPRV		DATE JUL 25, 2014	DATE SEP 05, 2014	
		CHKD		DATE JUL 25, 2014	DATE SEP 05, 2014	
		APPRV		DATE JUL 25, 2014	DATE SEP 05, 2014	
		CHKD		DATE JUL 25, 2014	DATE SEP 05, 2014	
		APPRV		DATE JUL 25, 2014	DATE SEP 05, 2014	
		CHKD		DATE JUL 25, 2014	DATE SEP 05, 2014	
		APPRV		DATE JUL 25, 2014	DATE SEP 05, 2014	
		CHKD		DATE JUL 25, 2014	DATE SEP 05, 2014	
		APPRV		DATE JUL 25, 2014	DATE SEP 05, 2014	
		CHKD		DATE JUL 25, 2014	DATE SEP 05, 2014	
		APPRV		DATE JUL 25, 2014	DATE SEP 05, 2014	
		CHKD		DATE JUL 25, 2014	DATE SEP 05, 2014	
		APPRV		DATE JUL 25, 2014	DATE SEP 05, 2014	
		CHKD		DATE JUL 25, 2014	DATE SEP 05, 2014	
		APPRV		DATE JUL 25, 2014	DATE SEP 05, 2014	
		CHKD		DATE JUL 25, 2014	DATE SEP 05, 2014	
		APPRV		DATE JUL 25, 2014	DATE SEP 05, 2014	
		CHKD		DATE JUL 25, 2014	DATE SEP 05, 2014	
		APPRV		DATE JUL 25, 2014	DATE SEP 05, 2014	
		CHKD		DATE JUL 25, 2014	DATE SEP 05, 2014	
		APPRV		DATE JUL 25, 2014	DATE SEP 05, 2014	
		CHKD		DATE JUL 25, 2014	DATE SEP 05, 2014	
		APPRV		DATE JUL 25, 2014	DATE SEP 05, 2014	
		CHKD		DATE JUL 25, 2014	DATE SEP 05, 2014	
		APPRV		DATE JUL 25, 2014	DATE SEP 05, 2014	
		CHKD		DATE JUL 25, 2014	DATE SEP 05, 2014	
		APPRV		DATE JUL 25, 2014	DATE SEP 05, 2014	
		CHKD		DATE JUL 25, 2014	DATE SEP 05, 2014	
		APPRV		DATE JUL 25, 2014	DATE SEP 05, 2014	
		CHKD		DATE JUL 25, 2014	DATE SEP 05, 2014	
		APPRV		DATE JUL 25, 2014	DATE SEP 05, 2014	
		CHKD		DATE JUL 25, 2014	DATE SEP 05, 2014	
		APPRV		DATE JUL 25, 2014	DATE SEP 05, 2014	
		CHKD		DATE JUL 25, 2014	DATE SEP 05, 2014	
		APPRV		DATE JUL 25, 2014	DATE SEP 05, 2014	
		CHKD		DATE JUL 25, 2014	DATE SEP 05, 2014	
		APPRV		DATE JUL 25, 2014	DATE SEP 05, 2014	
		CHKD		DATE JUL 25, 2014	DATE SEP 05, 2014	
		APPRV		DATE JUL 25, 2014	DATE SEP 05, 2014	
		CHKD		DATE JUL 25, 2014	DATE SEP 05, 2014	
		APPRV		DATE JUL 25, 2014	DATE SEP 05, 2014	
		CHKD		DATE JUL 25, 2014	DATE SEP 05, 2014	
		APPRV		DATE JUL 25, 2014	DATE SEP 05, 2014	
		CHKD		DATE JUL 25, 2014	DATE SEP 05, 2014	
		APPRV		DATE JUL 25, 2014	DATE SEP 05, 2014	
		CHKD		DATE JUL 25, 2014	DATE SEP 05, 2014	
		APPRV		DATE JUL 25, 2014	DATE SEP 05, 2014	
		CHKD		DATE JUL 25, 2014	DATE SEP 05, 2014	
		APPRV		DATE JUL 25, 2014	DATE SEP 05, 2014	
		CHKD		DATE JUL 25, 2014	DATE SEP 05, 2014	
		APPRV		DATE JUL 25, 2014	DATE SEP 05, 2014	
		CHKD		DATE JUL 25, 2014	DATE SEP 05, 2014	
		APPRV		DATE JUL 25, 2014	DATE SEP 05, 2014	
		CHKD		DATE JUL 25, 2014	DATE SEP 05, 2014	
		APPRV		DATE JUL 25, 2014	DATE SEP 05, 2014	
		CHKD		DATE JUL 25, 2014	DATE SEP 05, 2014	
		APPRV		DATE JUL 25, 2014	DATE SEP 05, 2014	
		CHKD		DATE JUL 25, 2014	DATE SEP 05, 2014	
		APPRV		DATE JUL 25, 2014	DATE SEP 05, 2014	
		CHKD		DATE JUL 25, 2014	DATE SEP 05, 2014	
		APPRV		DATE JUL 25, 2014	DATE SEP 05, 2014	
		CHKD		DATE JUL 25, 2014	DATE SEP 05, 2014	
		APPRV		DATE JUL 25, 2014	DATE SEP 05, 2014	
		CHKD		DATE JUL 25, 2014	DATE SEP 05, 2014	

3M™ FOUR-WALL HEADER, 3000 SERIES  
 .100" X .100" LATCH/EJECTOR, STRAIGHT AND RIGHT ANGLE

MOUNTING HARDWARE



**3341-5**  
 (INSTALL FROM BOTTOM OF BOARD)  
 PANHEAD THREAD CUTTING SCREW:  
 #4-24 X 5/16"  
 TYPE: USA STD BT, FEDERAL BG  
 MATERIAL: STAINLESS STEEL



**3341-6**  
 HEX HEAD BOLT, NUT AND WASHER:  
 BOLT - #2-56 X 1/2"  
 MATERIAL: STAINLESS STEEL



**3341-6**  
 #2-56 NUT AND BOLT  
 TORQUE FOR EACH BOLT: 1.25 - 3.125 INCH LBS.



#4-24 TYPE BT SELF THREADING SCREW  
 WHEN USING LATCHES, MAXIMUM LENGTH  
 OF SCREW IS .250 INCHES PLUS  
 THICKNESS OF THE BOARD.  
 TORQUE FOR EACH SCREW IS 3-5 INCH LBS.



**3341-5**

DESIGN REFERENCE	NEXT ASSEMBLY	REV	ECO	ISSUE DATE AND DESCRIPTION	DRFT	CHKD
DATE	DATE	DATE	DATE	DATE	DATE	DATE
DIVISION	DIVISION CODE	© 3M COPYRIGHT 2015 This document and the information it contains are 3M property and may not be reproduced or further distributed without 3M permission, or used or disclosed other than for 3M authorized purposes. All rights reserved.				
Interconnect Solutions	EMSD	3M Center St. Paul, MN 55144				
DO NOT SCALE DRAWING	SCALE 4/1	TOLERANCES EXCEPT AS NOTED INCHES .00 ± .01 .000 ± .005 .0000 ±				
THIRD ANGLE PROJECTION	INTERPRET PER ASME Y14.5 - 2009	MILLIMETERS 0 ± .0 ± .3 .00 ± .13 .000 ±				
MAX SURFACE ROUGHNESS	MARKED ONLY	CAGE NUMBER MODEL 3000 SERIES TITLE HEADER, 4-WALL, .100 X .100 LATCH/EJECTOR, STRAIGHT & RA DRAWING NO. D78-5100-0772-3 REV. S SHEET 4 OF 4				

78-5100-0772-3  
 DRAWING NUMBER  
 S  
 REVISION  
 3/6/2015 12:54 PM UTC-06:00  
 Imaged: S.1