

CUSTOMER:

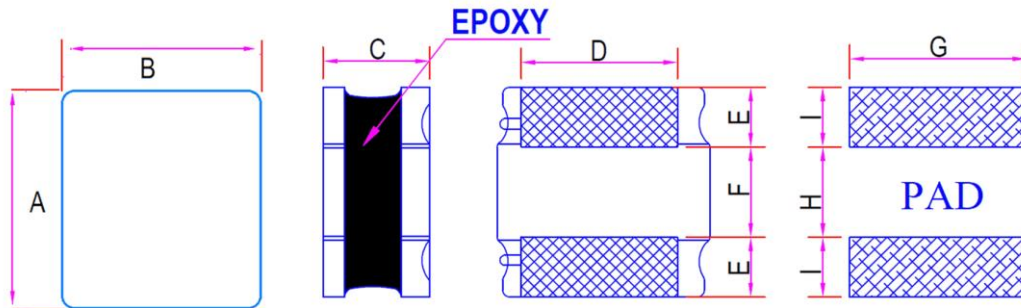
PAGE : 1 OF 3

P/N(料號): SNR2010K-SERIES

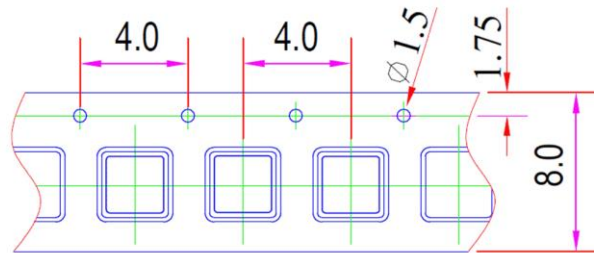
YOUR REF. :

1. MACHANCIAL DIMENSIONS(外形尺寸):

DRAW. NO. : SNR2010K



SCHEMATIC



EACH TAPE : 2000 PCS

Item (項目)	Spec. (規格mm)	Typ.(實測值)	Item (項目)	Spec. (規格mm)	Typ.(實測值)
A	2.0+0.25		F	0.8	
B	1.6+0.25		G	1.6	
C	1.05 MAX		H	0.7	
D	1.2		I	0.7	
E	0.6		K		

2. NOTES (備注, 包括印字及起始同相端等特別要求):

2.1 Marking (印字):

CUSTOMER APPROVED (客戶確認)	APPROVED (確認)	CHECKED (檢查)	DRAWN (制圖)



# 三禮電子集團控股有限公司

3L ELECTRONIC GROUP HOLDINGS LIMITED

SPECIFICATION FOR APPROVED 樣品承認書



CUSTOMER: PAGE : 2 OF 3

P/N(料號): SNR2010K-SERIES YOUR REF. :

### 3. ELECTRICAL CHARACTERISTICS (電特性要求) :

3L/PN	L	Tolerance	DCR(mΩ)	Isat	Irms	Test Freq
	(uH)	(+-%)	MAX	(A)	(A)	Condition
SNR2010K-R24M	0.24	20	40	3.70	2.80	1MHz 1V
SNR2010K-R33M	0.33	20	48	3.00	2.40	1MHz 1V
SNR2010K-R47M	0.47	20	60	2.30	2.30	1MHz 1V
SNR2010K-R68M	0.68	20	76	1.95	2.00	1MHz 1V
SNR2010K-1R0M	1.00	20	114	1.65	1.45	1MHz 1V
SNR2010K-1R5M	1.50	20	174	1.35	1.10	1MHz 1V
SNR2010K-2R2M	2.20	20	265	1.20	1.05	1MHz 1V
SNR2010K-3R3M	3.30	20	345	1.00	0.85	1MHz 1V
SNR2010K-4R7M	4.70	20	480	0.75	0.70	1MHz 1V
SNR2010K-6R8M	6.80	20	800	0.70	0.55	1MHz 1V
SNR2010K-8R2M	8.20	20	940	0.68	0.53	1MHz 1V
SNR2010K-100M	10.00	20	1000	0.65	0.50	1MHz 1V
SNR2010K-220M	22.00	20	1700	0.32	0.32	1MHz 1V

Isat(A):  
DC Saturation Current that will cause initial inductance to drop approximately 30% max  
Irise(A):  
DC Current that will cause an approximata  $\Delta T$  of 40°C  
Ope.Temp.: -40 to 125°C  
Measuring Instrument:L:HP4284 Isat:HP4284+42841A DCR:502BC

CUSTOMER APPROVED (客戶確認)	APPROVED (確認)	CHECKED (檢查)	DRAWN (制圖)



# 三禮電子集團控股有限公司

3L ELECTRONIC GROUP HOLDINGS LIMITED

SPECIFICATION FOR APPROVED 樣品承認書



CUSTOMER:

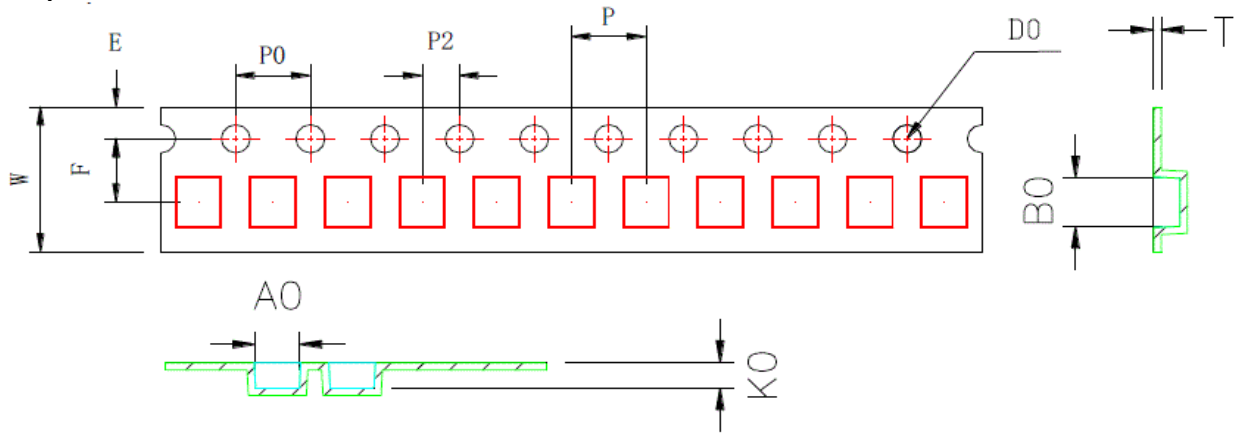
PAGE : 3 OF 3

P/N(料號): SNR2010K-SERIES

YOUR REF. :

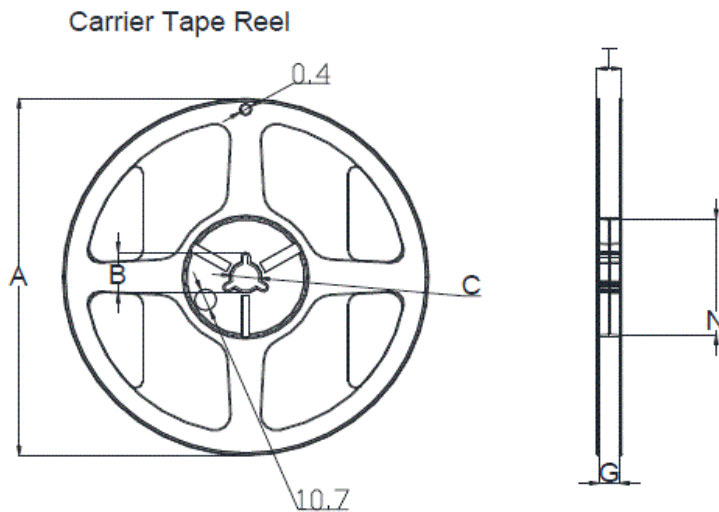
## Packaging Specifications

### 1. Carrier Tape Dimensions:



ITEM	W	A0	B0	K0	P	F	E	D0	P0	P2	T
DIM	8.00	2.00	2.40	1.20	4.00	3.5	1.75	1.50	4.00	2.00	0.25
TOLE	±0.3	±0.1	±0.1	±0.1	±0.1	±0.1	±0.1	+0.1	±0.1	±0.1	±0.05

### 2. Reel Dimensions:



Packaging Quantity:  
2KPCS/ Reel

Type	A	B	C	G	N	T
8mm	178	20.7±0.8	13±0.4	ϕ	60	10.8

CUSTOMER APPROVED (客戶確認)

APPROVED (確認)

CHECKED (檢查)

DRAWN (制圖)

ISSUED DATE(出版日期): 20161014

PRINT DATE(出圖日期): 20161014

## X-ON Electronics

Largest Supplier of Electrical and Electronic Components

*Click to view similar products for [Fixed Inductors](#) category:*

*Click to view products by [3L COILS](#) manufacturer:*

Other Similar products are found below :

[CR32NP-151KC](#) [CR32NP-180KC](#) [CR32NP-181KC](#) [CR32NP-1R5MC](#) [CR32NP-390KC](#) [CR32NP-3R9MC](#) [CR32NP-680KC](#) [CR32NP-820KC](#) [CR32NP-8R2MC](#) [CR43NP-390KC](#) [CR43NP-560KC](#) [CR43NP-680KC](#) [CR54NP-181KC](#) [CR54NP-470LC](#) [CR54NP-820KC](#) [CR54NP-8R5MC](#) [70F224AI](#) [MGDQ4-00004-P](#) [MHL1ECTTP18NJ](#) [MHQ1005P10NJ](#) [MHQ1005P1N0S](#) [MHQ1005P2N4S](#) [MHQ1005P3N6S](#) [MHQ1005P5N1S](#) [MHQ1005P8N2J](#) [PE-51506NL](#) [PE-53601NL](#) [PE-53602NL](#) [PE-53630NL](#) [PE-53824SNLT](#) [PE-92100NL](#) [PG0434.801NLT](#) [PG0936.113NLT](#) [9220-20](#) [9310-16](#) [PM06-2N7](#) [PM06-39NJ](#) [A01TK](#) [1206CS-471XJ](#) [HC2LP-R47-R](#) [HC2-R47-R](#) [HC3-2R2-R](#) [HCF1305-3R3-R](#) [1206CS-151XG](#) [RCH664NP-140L](#) [RCH664NP-4R7M](#) [RCH8011NP-221L](#) [RCP1317NP-332L](#) [RCP1317NP-391L](#) [RCR1010NP-470M](#)