

CUSTOMER:

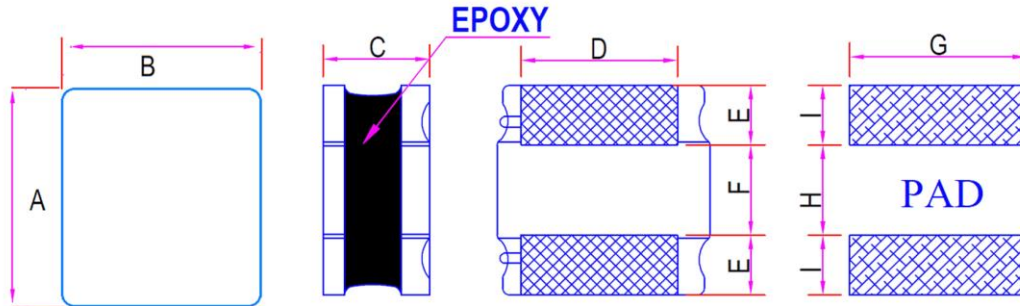
PAGE : 1 OF 3

P/N(料號): SNR2510K-SERIES

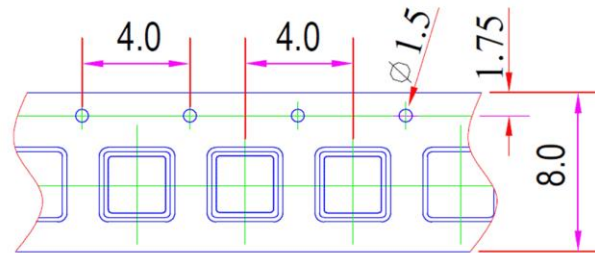
YOUR REF. :

1.MACHANCIAL DIMENSIONS(外形尺寸):

DRAW. NO. : SNR2510K



SCHEMATIC



EACH TAPE : 2000 PCS

Item (項目)	Spec. (規格mm)	Typ.(實測值)	Item (項目)	Spec. (規格mm)	Typ.(實測值)
A	2.5+-0.2		F	0.8	
B	2.3 MAX		G	2.0	
C	1.05 MAX		H	0.8	
D	1.5		I	0.85	
E	0.8		K		

2. NOTES (備注, 包括印字及起始同相端等特別要求):

2.1 Marking (印字):

CUSTOMER APPROVED (客戶確認)

APPROVED (確認)

CHECKED (檢查)

DRAWN (制圖)



# 三禮電子集團控股有限公司

3L ELECTRONIC GROUP HOLDINGS LIMITED

SPECIFICATION FOR APPROVED 樣品承認書



CUSTOMER: PAGE : 2 OF 3

P/N(料號): SNR2510K-SERIES YOUR REF. :

**3. ELECTRICAL CHARACTERISTICS (電特性要求) :**

3L/PN	L	Tolerance	DCR( $\Omega$ )	Isat	Irms	Test Freq
	( $\mu$ H)	(+-%)	MAX	(A)	(A)	Condition
SNR2510K-R24M	0.24	20	0.034	3.60	2.75	1MHz 1V
SNR2510K-R33M	0.33	20	0.043	3.60	2.45	1MHz 1V
SNR2510K-R47M	0.47	20	0.044	2.80	2.40	1MHz 1V
SNR2510K-R68M	0.68	20	0.062	2.75	2.10	1MHz 1V
SNR2510K-1R0M	1.00	20	0.080	2.05	1.85	1MHz 1V
SNR2510K-1R5M	1.50	20	0.108	1.70	1.55	1MHz 1V
SNR2510K-2R2M	2.20	20	0.139	1.50	1.35	1MHz 1V
SNR2510K-3R3M	3.30	20	0.228	1.10	1.05	1MHz 1V
SNR2510K-4R7M	4.70	20	0.330	1.00	0.90	1MHz 1V
SNR2510K-6R8M	6.80	20	0.480	0.80	0.72	1MHz 1V
SNR2510K-100M	10.00	20	0.600	0.65	0.67	1MHz 1V
SNR2510K-150M	15.00	20	0.950	0.50	0.45	1MHz 1V

Isat(A):  
 DC Saturation Current that will cause initial inductance to drop approximately 30% max  
 Irise(A):  
 DC Current that will cause an approximate  $\Delta T$  of 40°C  
 Ope.Temp.: -40 to 125°C  
 Measuring Instrument:L:HP4284 Isat:HP4284+42841A DCR:502BC

CUSTOMER APPROVED (客戶確認)	APPROVED (確認)	CHECKED (檢查)	DRAWN (制圖)



# 三禮電子集團控股有限公司

3L ELECTRONIC GROUP HOLDINGS LIMITED  
SPECIFICATION FOR APPROVED 樣品承認書



CUSTOMER:

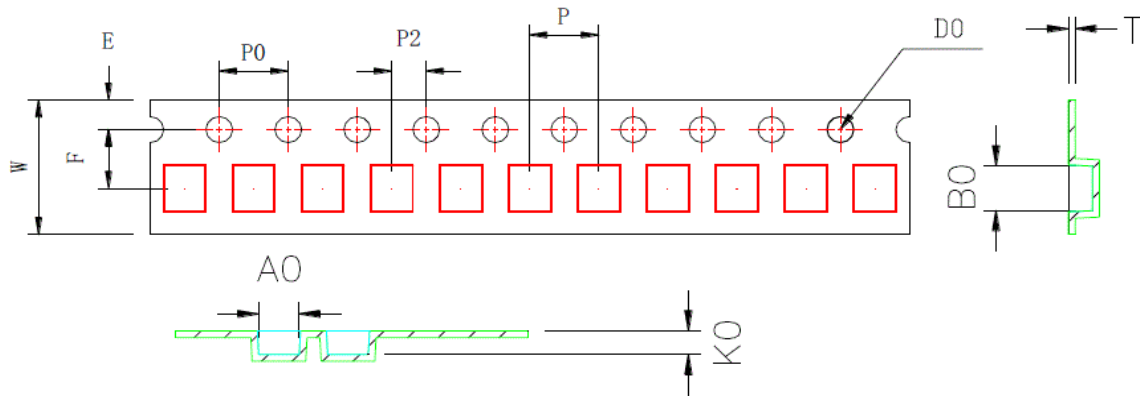
PAGE : 3 OF 3

P/N(料號): SNR2510K-SERIES

YOUR REF. :

## Packaging Specifications

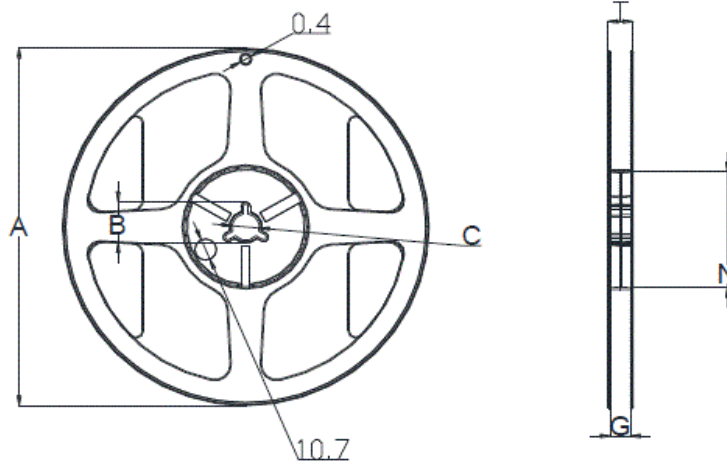
### 1. Carrier Tape Dimensions:



ITEM	W	A0	B0	K0	P	F	E	D0	P0	P2	T
DIM	8.00	2.35	2.65	1.2	4.00	3.5	1.75	1.50	4.00	2.00	0.25
TOLE	±0.3	±0.1	±0.1	±0.1	±0.1	±0.1	±0.1	+0.1	±0.1	±0.1	±0.05

### 2. Reel Dimensions:

Carrier Tape Reel



Packaging Quantity:  
2KPCS/ Reel

Type	A	B	C	G	N	T
8mm	178	20.7±0.8	13±0.4	9	60	10.8

CUSTOMER APPROVED (客戶確認)

APPROVED (確認)

CHECKED (檢查)

DRAWN (制圖)

ISSUED DATE(出版日期): 20161014

PRINT DATE(出圖日期): 20161014

## X-ON Electronics

Largest Supplier of Electrical and Electronic Components

*Click to view similar products for [Fixed Inductors](#) category:*

*Click to view products by [3L COILS](#) manufacturer:*

Other Similar products are found below :

[CR32NP-151KC](#) [CR32NP-180KC](#) [CR32NP-181KC](#) [CR32NP-1R5MC](#) [CR32NP-390KC](#) [CR32NP-3R9MC](#) [CR32NP-680KC](#) [CR32NP-820KC](#) [CR32NP-8R2MC](#) [CR43NP-390KC](#) [CR43NP-560KC](#) [CR43NP-680KC](#) [CR54NP-181KC](#) [CR54NP-470LC](#) [CR54NP-820KC](#) [CR54NP-8R5MC](#) [70F224AI](#) [MGDQ4-00004-P](#) [MHL1ECTTP18NJ](#) [MHQ1005P10NJ](#) [MHQ1005P1N0S](#) [MHQ1005P2N4S](#) [MHQ1005P3N6S](#) [MHQ1005P5N1S](#) [MHQ1005P8N2J](#) [PE-51506NL](#) [PE-53601NL](#) [PE-53602NL](#) [PE-53630NL](#) [PE-53824SNLT](#) [PE-92100NL](#) [PG0434.801NLT](#) [PG0936.113NLT](#) [9220-20](#) [9310-16](#) [PM06-2N7](#) [PM06-39NJ](#) [A01TK](#) [1206CS-471XJ](#) [HC2LP-R47-R](#) [HC2-R47-R](#) [HC3-2R2-R](#) [HCF1305-3R3-R](#) [1206CS-151XG](#) [RCH664NP-140L](#) [RCH664NP-4R7M](#) [RCH8011NP-221L](#) [RCP1317NP-332L](#) [RCP1317NP-391L](#) [RCR1010NP-470M](#)