

CUSTOMER:

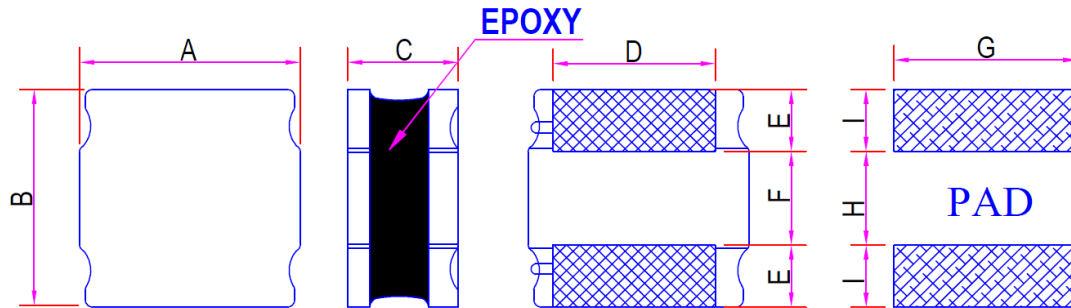
PAGE : 1 OF 3

P/N(料號): SNR3012K-SERIES

YOUR REF. :

1.MACHANCIAL DIMENSIONS(外形尺寸):

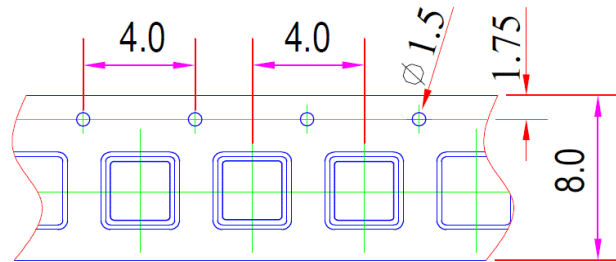
DRAW. NO. : SNR3012K



SCHEMATIC



原理圖



EACH TAPE : 2000 PCS

Item (項目)	Spec. (規格mm)	Typ.(實測值)	Item (項目)	Spec. (規格mm)	Typ.(實測值)
A	3.0+0.2		F	1.5	
B	3.0+0.2		G	2.7	
C	1.25 Max		H	1.5	
D	2.5		I	0.8	
E	0.75		K		

2. NOTES (備注, 包括印字及起始同相端等特別要求):

2.1 Marking (印字):

CUSTOMER APPROVED (客戶確認)

APPROVED (確認)

CHECKED (檢查)

DRAWN (制圖)



# 三禮電子集團控股有限公司

3L ELECTRONIC GROUP HOLDINGS LIMITED

SPECIFICATION FOR APPROVED 樣品承認書



CUSTOMER: PAGE : 2 OF 3

P/N(料號): SNR3012K-SERIES YOUR REF. :

### 3. ELECTRICAL CHARACTERISTICS (電特性要求) :

3L/PN	L	Tolerance	DCR(mΩ)	Isat	Irise	Test Freq
	(uH)	(+-%)	(+-30%)	(A)	(A)	Condition
SNR3012K-R33N	0.33	30	21	3.00	2.90	100KHz/0.25V
SNR3012K-R47N	0.47	30	33	2.20	2.20	100KHz/0.25V
SNR3012K-R82N	0.82	30	40	2.05	2.10	100KHz/0.25V
SNR3012K-1R0N	1.00	30	48	1.90	2.00	100KHz/0.25V
SNR3012K-1R5N	1.50	30	55	1.62	1.85	100KHz/0.25V
SNR3012K-2R2M	2.20	20	75	1.20	1.55	100KHz/0.25V
SNR3012K-3R3M	3.30	20	100	1.05	1.35	100KHz/0.25V
SNR3012K-4R7M	4.70	20	120	0.90	1.25	100KHz/0.25V
SNR3012K-5R6M	5.60	20	160	0.80	1.10	100KHz/0.25V
SNR3012K-6R8M	6.80	20	190	0.75	1.00	100KHz/0.25V
SNR3012K-100M	10	20	265	0.60	0.89	100KHz/0.25V
SNR3012K-150M	15	20	430	0.45	0.72	100KHz/0.25V
SNR3012K-220M	22	20	630	0.42	0.55	100KHz/0.25V

Isat(A):  
 DC Saturation Current that will cause initial inductance to drop approximately 30% max  
 Irise(A):  
 DC Current that will cause an approximated  $\Delta T$  of 40°C  
 Ope.Temp.: -40 to 125°C  
 Measuring Instrument:L:HP4284 Isat:HP4284+42841A DCR:502BC

CUSTOMER APPROVED (客戶確認)	APPROVED (確認)	CHECKED (檢查)	DRAWN (制圖)



# 三禮電子集團控股有限公司

3L ELECTRONIC GROUP HOLDINGS LIMITED

SPECIFICATION FOR APPROVED 樣品承認書



CUSTOMER:

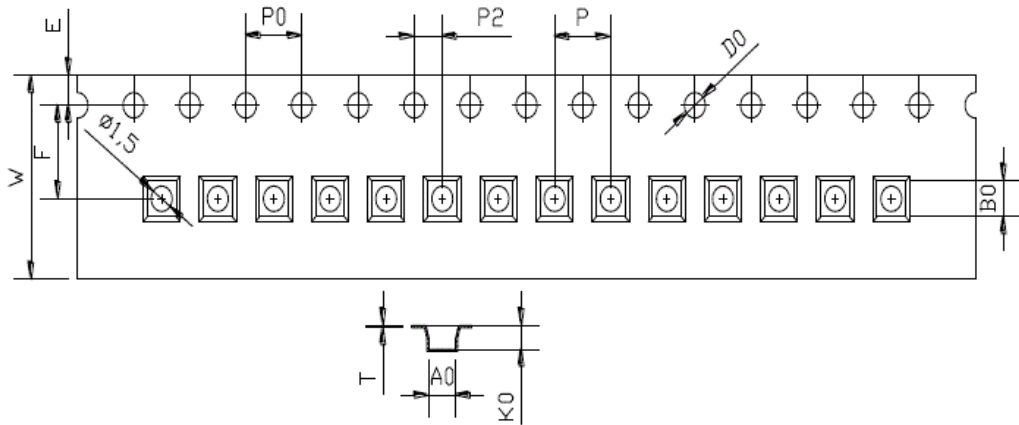
PAGE : 3 OF 3

P/N(料號): SNR3012K-SERIES

YOUR REF. :

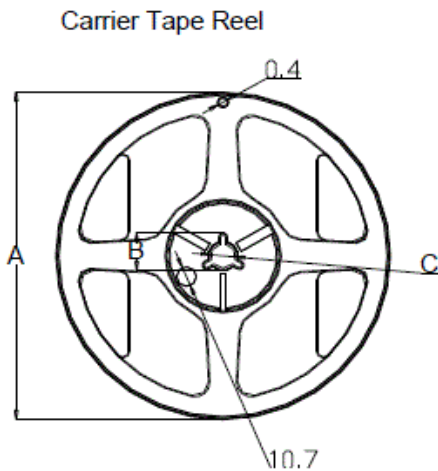
## Packaging Specifications

### 1. Carrier Tape Dimensions:



ITEM	W	A0	B0	K0	P	F	E	D0	P0	P2	T
DIM	8.00	3.3	3.3	1.6	4.00	3.50	1.75	1.50	4.00	2.00	0.25
TOLE	±0.1	±0.05	±0.05	±0.1	±0.1	±0.1	±0.1	+0.1	±0.1	±0.1	±0.05

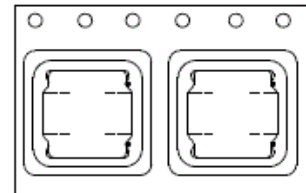
### 2. Reel Dimensions:



### PACKAGE SPECIFICATION:

2KPCS/ Reel

編帶方向，如右圖所示



Type	A	B	C	G	N	T
8mm	178	20.7±0.8	13±0.4	9	60	10.8

CUSTOMER APPROVED (客戶確認)

APPROVED (確認)

CHECKED (檢查)

DRAWN (制圖)

ISSUED DATE(出版日期): 20161014

PRINT DATE(出圖日期): 20161014

## X-ON Electronics

Largest Supplier of Electrical and Electronic Components

*Click to view similar products for [Fixed Inductors](#) category:*

*Click to view products by [3L COILS](#) manufacturer:*

Other Similar products are found below :

[CR32NP-151KC](#) [CR32NP-180KC](#) [CR32NP-181KC](#) [CR32NP-1R5MC](#) [CR32NP-390KC](#) [CR32NP-3R9MC](#) [CR32NP-680KC](#) [CR32NP-820KC](#) [CR32NP-8R2MC](#) [CR43NP-390KC](#) [CR43NP-560KC](#) [CR43NP-680KC](#) [CR54NP-181KC](#) [CR54NP-470LC](#) [CR54NP-820KC](#) [CR54NP-8R5MC](#) [70F224AI](#) [MGDQ4-00004-P](#) [MHL1ECTTP18NJ](#) [MHQ1005P10NJ](#) [MHQ1005P1N0S](#) [MHQ1005P2N4S](#) [MHQ1005P3N6S](#) [MHQ1005P5N1S](#) [MHQ1005P8N2J](#) [PE-51506NL](#) [PE-53601NL](#) [PE-53602NL](#) [PE-53630NL](#) [PE-53824SNLT](#) [PE-92100NL](#) [PG0434.801NLT](#) [PG0936.113NLT](#) [9220-20](#) [9310-16](#) [PM06-2N7](#) [PM06-39NJ](#) [A01TK](#) [1206CS-471XJ](#) [HC2LP-R47-R](#) [HC2-R47-R](#) [HC3-2R2-R](#) [HCF1305-3R3-R](#) [1206CS-151XG](#) [RCH664NP-140L](#) [RCH664NP-4R7M](#) [RCH8011NP-221L](#) [RCP1317NP-332L](#) [RCP1317NP-391L](#) [RCR1010NP-470M](#)