



# 3L ELECTRONIC GROUP HOLDINGS LIMITED

## SPECIFICATION FOR APPROVAL



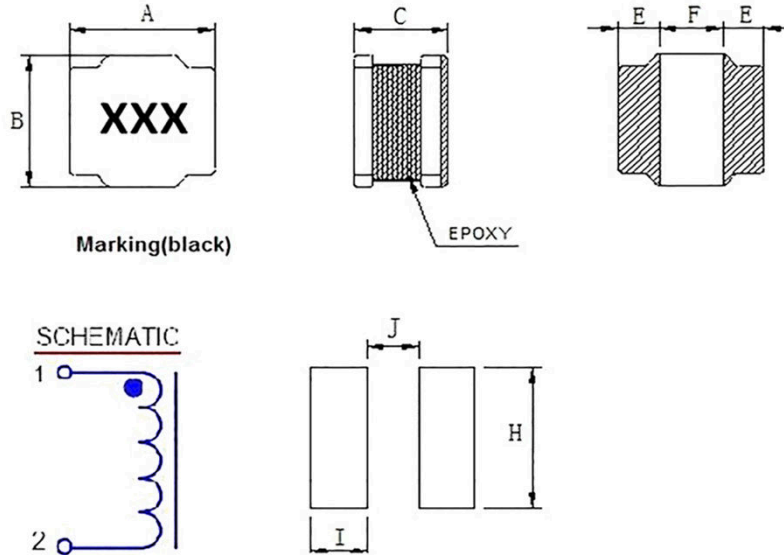
CUSTOMER : 曼特电子科技 (深圳) 有限公司

PAGE : 1 OF 3

3L P/N: SNR6045K SERIES

YOUR REF. :

### 1. OUTLINE DIMENSION (Unit:mm)



| Item | Specifications(mm) | Typical(mm) | Item | Specifications(mm) | Typical(mm) |
|------|--------------------|-------------|------|--------------------|-------------|
| A    | 6.0 ± 0.3          | 6.12        | F    | 2.9±0.3            |             |
| B    | 6.0 ± 0.3          | 6.08        | G    |                    |             |
| C    | 4.5 MAX            | 4.08        | H    | 5.7 Ref            |             |
| D    |                    |             | I    | 1.7 Ref            |             |
| E    | 1.55±0.3           |             | J    | 2.8 Ref            |             |

### 2.NOTES

| CUSTOMER APPROVED | APPROVED | CHECKED | DRAWIN |
|-------------------|----------|---------|--------|
|                   |          |         |        |



# 3L ELECTRONIC GROUP HOLDINGS LIMITED

## SPECIFICATION FOR APPROVAL



CUSTOMER : 曼特电子科技 (深圳) 有限公司 PAGE : 2 OF 3

3L P/N: SNR6045K SERIES YOUR REF. :

### 3. ELECTRICAL CHARACTERISTICS

| 3L Part NO.   | Inductance L(uH) | Tolerance (±%) | DCR(mΩ) ± 30% | Isat(A) Typ. | Irms(A) Typ. | Test Condition | Marking |
|---------------|------------------|----------------|---------------|--------------|--------------|----------------|---------|
| SNR6045K-1R0N | 1.0              | 30.00          | 10.00         | 9.00         | 5.10         | 100KHz/0.25V   | 1R0     |
| SNR6045K-1R5N | 1.5              | 30.00          | 12.00         | 7.50         | 4.75         | 100KHz/0.25V   | 1R5     |
| SNR6045K-1R8N | 1.8              | 30.00          | 13.00         | 7.50         | 4.60         | 100KHz/0.25V   | 1R8     |
| SNR6045K-2R2N | 2.2              | 30.00          | 13.00         | 6.50         | 4.60         | 100KHz/0.25V   | 2R2     |
| SNR6045K-3R3N | 3.3              | 30.00          | 20.00         | 5.30         | 3.20         | 100KHz/0.25V   | 3R3     |
| SNR6045K-3R9N | 3.9              | 30.00          | 20.00         | 4.90         | 3.20         | 100KHz/0.25V   | 3R9     |
| SNR6045K-4R7N | 4.7              | 30.00          | 24.00         | 4.50         | 3.00         | 100KHz/0.25V   | 4R7     |
| SNR6045K-5R6N | 5.6              | 30.00          | 31.00         | 3.70         | 2.80         | 100KHz/0.25V   | 5R6     |
| SNR6045K-6R8N | 6.8              | 30.00          | 33.00         | 3.30         | 2.70         | 100KHz/0.25V   | 6R8     |
| SNR6045K-8R2N | 8.2              | 30.00          | 45.00         | 3.20         | 2.60         | 100KHz/0.25V   | 8R2     |
| SNR6045K-100M | 10.0             | 20.00          | 52.00         | 3.00         | 2.50         | 100KHz/0.25V   | 100     |
| SNR6045K-120M | 12.0             | 20.00          | 58.00         | 2.80         | 2.20         | 100KHz/0.25V   | 120     |
| SNR6045K-150M | 15.0             | 20.00          | 77.00         | 2.50         | 1.90         | 100KHz/0.25V   | 150     |
| SNR6045K-220M | 22.0             | 20.00          | 115.00        | 2.00         | 1.50         | 100KHz/0.25V   | 220     |
| SNR6045K-270M | 27.0             | 20.00          | 120.00        | 1.90         | 1.48         | 100KHz/0.25V   | 270     |
| SNR6045K-330M | 33.0             | 20.00          | 150.00        | 1.60         | 1.45         | 100KHz/0.25V   | 330     |
| SNR6045K-390M | 39.0             | 20.00          | 180.00        | 1.50         | 1.25         | 100KHz/0.25V   | 390     |
| SNR6045K-470M | 47.0             | 20.00          | 220.00        | 1.40         | 1.20         | 100KHz/0.25V   | 470     |
| SNR6045K-560M | 56.0             | 20.00          | 260.00        | 1.30         | 1.10         | 100KHz/0.25V   | 560     |
| SNR6045K-680M | 68.0             | 20.00          | 290.00        | 1.20         | 0.90         | 100KHz/0.25V   | 680     |
| SNR6045K-820M | 82.0             | 20.00          | 355.00        | 1.10         | 0.85         | 100KHz/0.25V   | 820     |
| SNR6045K-101M | 100.0            | 20.00          | 430.00        | 1.00         | 0.80         | 100KHz/0.25V   | 101     |
| SNR6045K-121M | 120.0            | 20.00          | 530.00        | 0.85         | 0.75         | 100KHz/0.25V   | 121     |
| SNR6045K-151M | 150.0            | 20.00          | 760.00        | 0.80         | 0.70         | 100KHz/0.25V   | 151     |
| SNR6045K-181M | 180.0            | 20.00          | 845.00        | 0.75         | 0.65         | 100KHz/0.25V   | 181     |
| SNR6045K-221M | 220.0            | 20.00          | 890.00        | 0.63         | 0.55         | 100KHz/0.25V   | 221     |
| SNR6045K-331M | 330.0            | 20.00          | 1410.00       | 0.51         | 0.48         | 100KHz/0.25V   | 331     |

### 4. ELECTRICAL NOTES

- Saturation Current (Isat): The current will cause L to drop approximately 30% typical.
- Temperature Rise Current(Irms): The current will cause the coil temperature rise approximately ΔT=40℃ .

Test Equipments:

L :Agilent 4284A Precision LCR meter.

DCR : Milli-ohm meter.

| CUSTOMER APPROVED | APPROVED | CHECKED | DRAWIN |
|-------------------|----------|---------|--------|
|                   |          |         |        |



# 3L ELECTRONIC GROUP HOLDINGS LIMITED

## SPECIFICATION FOR APPROVAL

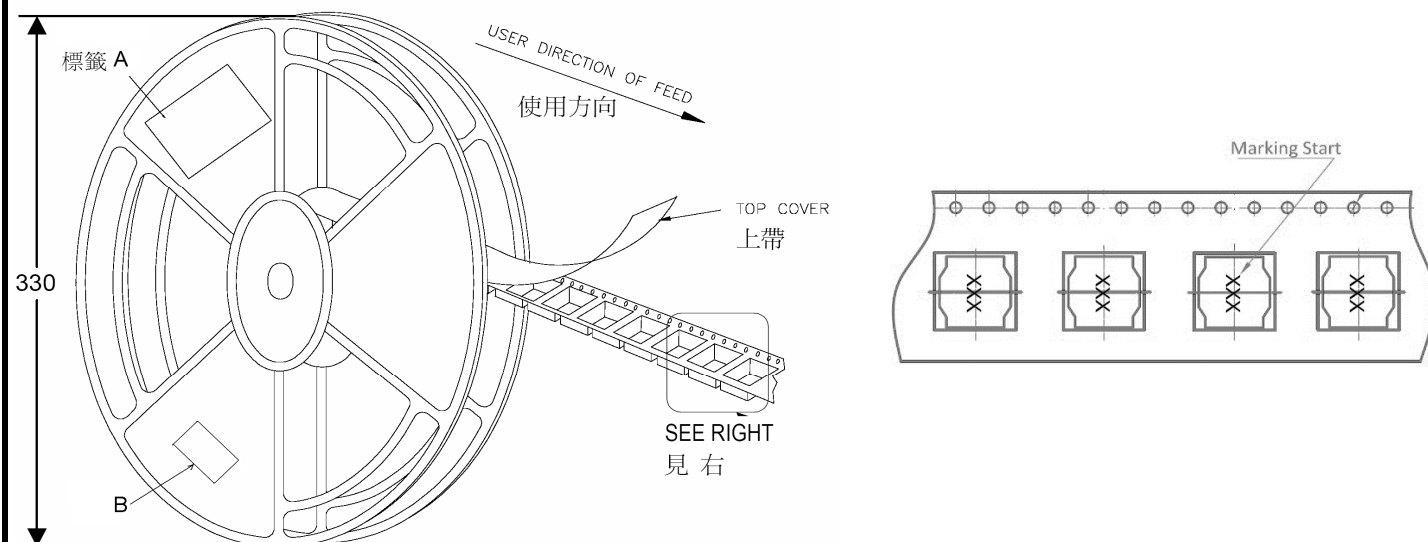


CUSTOMER : 曼特电子科技 (深圳) 有限公司 PAGE : 3 OF 3

3L P/N: SNR6045K SERIES YOUR REF. :

### 6. PACKAGE SPECIFICATION.

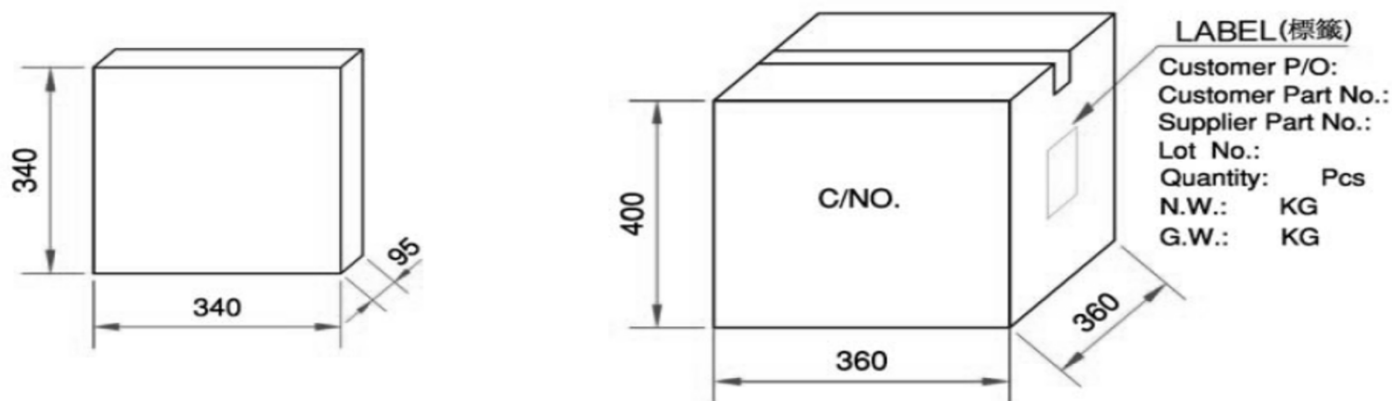
6.1: INSIDE PACKAGING DRAW NO.: 5-REEL-330MM



Each Reel: 1500 Pcs

TAPE TRAILER: 160mm~200mm TAPE LEADER: 388mm~428mm

6.2: OUTSIDE PACKAGING DRAW NO.: 5-CT-340934 / 5-CT-363640



Small carton: 4,500 pcs; Outer carton: 13,500 pcs; N.W.: KG; G.W.: KG

|                   |          |         |        |
|-------------------|----------|---------|--------|
| CUSTOMER APPROVED | APPROVED | CHECKED | DRAWIN |
|                   |          |         |        |

## X-ON Electronics

Largest Supplier of Electrical and Electronic Components

*Click to view similar products for [Fixed Inductors](#) category:*

*Click to view products by [3L COILS](#) manufacturer:*

Other Similar products are found below :

[CR32NP-151KC](#) [CR32NP-180KC](#) [CR32NP-181KC](#) [CR32NP-1R5MC](#) [CR32NP-390KC](#) [CR32NP-3R9MC](#) [CR32NP-680KC](#) [CR32NP-820KC](#) [CR32NP-8R2MC](#) [CR43NP-390KC](#) [CR43NP-560KC](#) [CR43NP-680KC](#) [CR54NP-181KC](#) [CR54NP-470LC](#) [CR54NP-820KC](#) [CR54NP-8R5MC](#) [70F224AI](#) [MGDQ4-00004-P](#) [MHL1ECTTP18NJ](#) [MHQ1005P10NJ](#) [MHQ1005P1N0S](#) [MHQ1005P2N4S](#) [MHQ1005P3N6S](#) [MHQ1005P5N1S](#) [MHQ1005P8N2J](#) [PE-51506NL](#) [PE-53601NL](#) [PE-53602NL](#) [PE-53630NL](#) [PE-53824SNLT](#) [PE-92100NL](#) [PG0434.801NLT](#) [PG0936.113NLT](#) [9220-20](#) [9310-16](#) [PM06-2N7](#) [PM06-39NJ](#) [A01TK](#) [1206CS-471XJ](#) [HC2LP-R47-R](#) [HC2-R47-R](#) [HC3-2R2-R](#) [HCF1305-3R3-R](#) [1206CS-151XG](#) [RCH664NP-140L](#) [RCH664NP-4R7M](#) [RCH8011NP-221L](#) [RCP1317NP-332L](#) [RCP1317NP-391L](#) [RCR1010NP-470M](#)