



3L ELECTRONIC GROUP HOLDINGS LIMITED

SPECIFICATION FOR APPROVAL



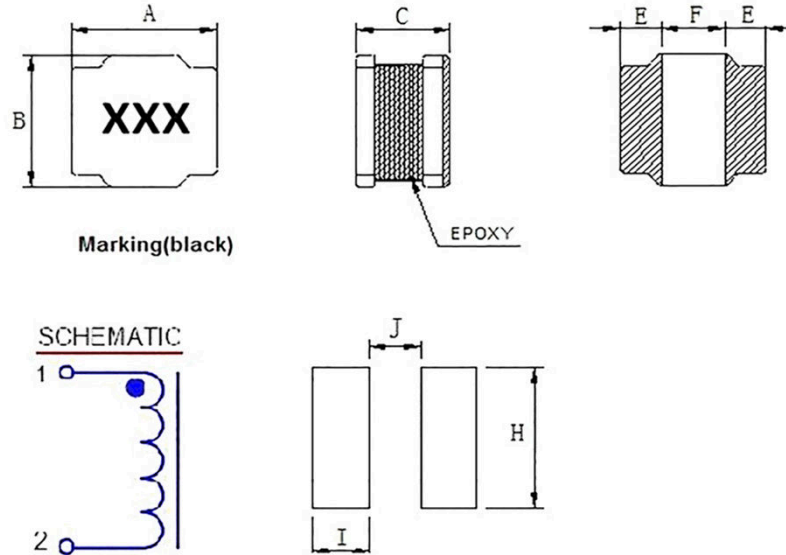
CUSTOMER : 曼特电子科技 (深圳) 有限公司

PAGE : 1 OF 3

3L P/N: SNR6045K SERIES

YOUR REF. :

1. OUTLINE DIMENSION (Unit:mm)



Item	Specifications(mm)	Typical(mm)	Item	Specifications(mm)	Typical(mm)
A	6.0 ± 0.3	6.12	F	2.9±0.3	
B	6.0 ± 0.3	6.08	G		
C	4.5 MAX	4.08	H	5.7 Ref	
D			I	1.7 Ref	
E	1.55±0.3		J	2.8 Ref	

2.NOTES

CUSTOMER APPROVED	APPROVED	CHECKED	DRAWIN



CUSTOMER :曼特电子科技 (深圳) 有限公司	PAGE : 2 OF 3
3L P/N:SNR6045K SERIES	YOUR REF. :

3.ELECTRICAL CHARACTERISTICS

3L Part NO.	Inductance L(uH)	Tolerance (±%)	DCR(mΩ) ± 30%	Isat(A) Typ.	Irms(A) Typ.	Test Condition	Marking
SNR6045K-1R0N	1.0	30.00	10.00	9.00	5.10	100KHz/0.25V	1R0
SNR6045K-1R5N	1.5	30.00	12.00	7.50	4.75	100KHz/0.25V	1R5
SNR6045K-1R8N	1.8	30.00	13.00	7.50	4.60	100KHz/0.25V	1R8
SNR6045K-2R2N	2.2	30.00	13.00	6.50	4.60	100KHz/0.25V	2R2
SNR6045K-3R3N	3.3	30.00	20.00	5.30	3.20	100KHz/0.25V	3R3
SNR6045K-3R9N	3.9	30.00	20.00	4.90	3.20	100KHz/0.25V	3R9
SNR6045K-4R7N	4.7	30.00	24.00	4.50	3.00	100KHz/0.25V	4R7
SNR6045K-5R6N	5.6	30.00	31.00	3.70	2.80	100KHz/0.25V	5R6
SNR6045K-6R8N	6.8	30.00	33.00	3.30	2.70	100KHz/0.25V	6R8
SNR6045K-8R2N	8.2	30.00	45.00	3.20	2.60	100KHz/0.25V	8R2
SNR6045K-100M	10.0	20.00	52.00	3.00	2.50	100KHz/0.25V	100
SNR6045K-120M	12.0	20.00	58.00	2.80	2.20	100KHz/0.25V	120
SNR6045K-150M	15.0	20.00	77.00	2.50	1.90	100KHz/0.25V	150
SNR6045K-220M	22.0	20.00	115.00	2.00	1.50	100KHz/0.25V	220
SNR6045K-270M	27.0	20.00	120.00	1.90	1.48	100KHz/0.25V	270
SNR6045K-330M	33.0	20.00	150.00	1.60	1.45	100KHz/0.25V	330
SNR6045K-390M	39.0	20.00	180.00	1.50	1.25	100KHz/0.25V	390
SNR6045K-470M	47.0	20.00	220.00	1.40	1.20	100KHz/0.25V	470
SNR6045K-560M	56.0	20.00	260.00	1.30	1.10	100KHz/0.25V	560
SNR6045K-680M	68.0	20.00	290.00	1.20	0.90	100KHz/0.25V	680
SNR6045K-820M	82.0	20.00	355.00	1.10	0.85	100KHz/0.25V	820
SNR6045K-101M	100.0	20.00	430.00	1.00	0.80	100KHz/0.25V	101
SNR6045K-121M	120.0	20.00	530.00	0.85	0.75	100KHz/0.25V	121
SNR6045K-151M	150.0	20.00	760.00	0.80	0.70	100KHz/0.25V	151
SNR6045K-181M	180.0	20.00	845.00	0.75	0.65	100KHz/0.25V	181
SNR6045K-221M	220.0	20.00	890.00	0.63	0.55	100KHz/0.25V	221
SNR6045K-331M	330.0	20.00	1410.00	0.51	0.48	100KHz/0.25V	331

4.ELECTRICAL NOTES

- Saturation Current (Isat): The current will cause L to drop approximately 30% typical.
- Temperature Rise Current(Irms): The current will cause the coil temperature rise approximately $\Delta T=40^{\circ}\text{C}$.

Test Equipments:

L :Agilent 4284A Precision LCR meter.

DCR : Milli-ohm meter.

CUSTOMER APPROVED	APPROVED	CHECKED	DRAWIN



3L ELECTRONIC GROUP HOLDINGS LIMITED

SPECIFICATION FOR APPROVAL

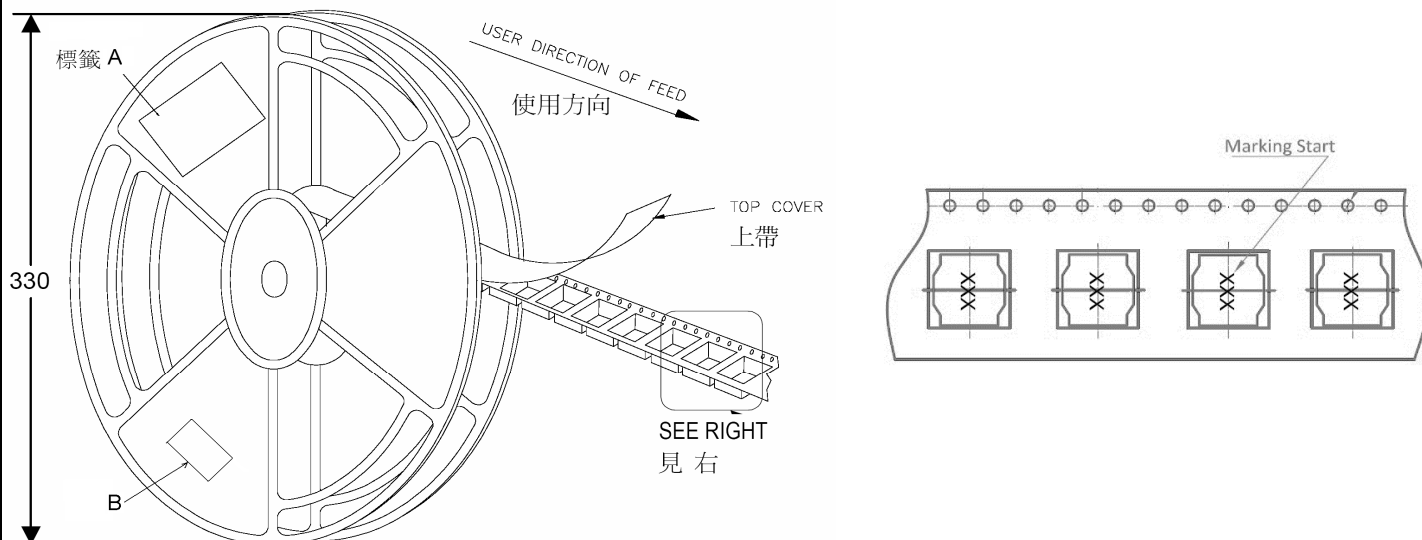


CUSTOMER : 曼特电子科技 (深圳) 有限公司 PAGE : 3 OF 3

3L P/N: SNR6045K SERIES YOUR REF. :

6. PACKAGE SPECIFICATION.

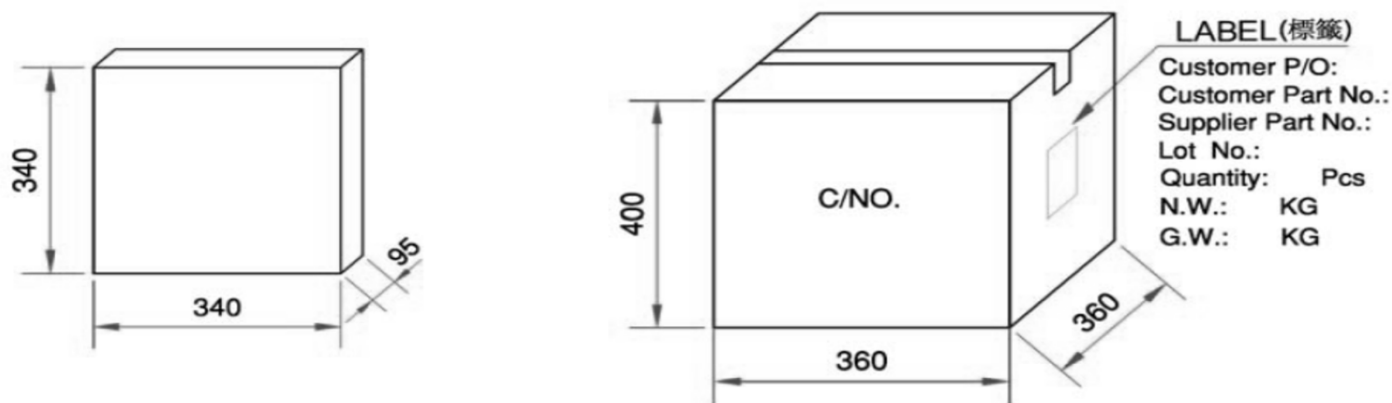
6.1: INSIDE PACKAGING DRAW NO.: 5-REEL-330MM



Each Reel: 1500 Pcs

TAPE TRAILER: 160mm~200mm TAPE LEADER: 388mm~428mm

6.2: OUTSIDE PACKAGING DRAW NO.: 5-CT-340934 / 5-CT-363640



Small carton: 4,500 pcs; Outer carton: 13,500 pcs; N.W.: KG; G.W.: KG

CUSTOMER APPROVED	APPROVED	CHECKED	DRAWIN

X-ON Electronics

Largest Supplier of Electrical and Electronic Components

Click to view similar products for [Fixed Inductors](#) category:

Click to view products by [3L COILS](#) manufacturer:

Other Similar products are found below :

[CR32NP-151KC](#) [CR32NP-180KC](#) [CR32NP-181KC](#) [CR32NP-1R5MC](#) [CR32NP-390KC](#) [CR32NP-3R9MC](#) [CR32NP-680KC](#) [CR32NP-820KC](#) [CR32NP-8R2MC](#) [CR43NP-390KC](#) [CR43NP-560KC](#) [CR43NP-680KC](#) [CR54NP-181KC](#) [CR54NP-470LC](#) [CR54NP-820KC](#) [CR54NP-8R5MC](#) [70F224AI](#) [MGDQ4-00004-P](#) [MHL1ECTTP18NJ](#) [MHQ1005P10NJ](#) [MHQ1005P1N0S](#) [MHQ1005P2N4S](#) [MHQ1005P3N6S](#) [MHQ1005P5N1S](#) [MHQ1005P8N2J](#) [PE-51506NL](#) [PE-53601NL](#) [PE-53602NL](#) [PE-53630NL](#) [PE-53824SNLT](#) [PE-92100NL](#) [PG0434.801NLT](#) [PG0936.113NLT](#) [9220-20](#) [9310-16](#) [PM06-2N7](#) [PM06-39NJ](#) [A01TK](#) [1206CS-471XJ](#) [HC2LP-R47-R](#) [HC2-R47-R](#) [HC3-2R2-R](#) [HCF1305-3R3-R](#) [1206CS-151XG](#) [RCH664NP-140L](#) [RCH664NP-4R7M](#) [RCH8011NP-221L](#) [RCP1317NP-332L](#) [RCP1317NP-391L](#) [RCR1010NP-470M](#)