



3L ELECTRONIC GROUP HOLDINGS LIMITED

SPECIFICATION FOR APPROVAL

ROHS
危害物质限用

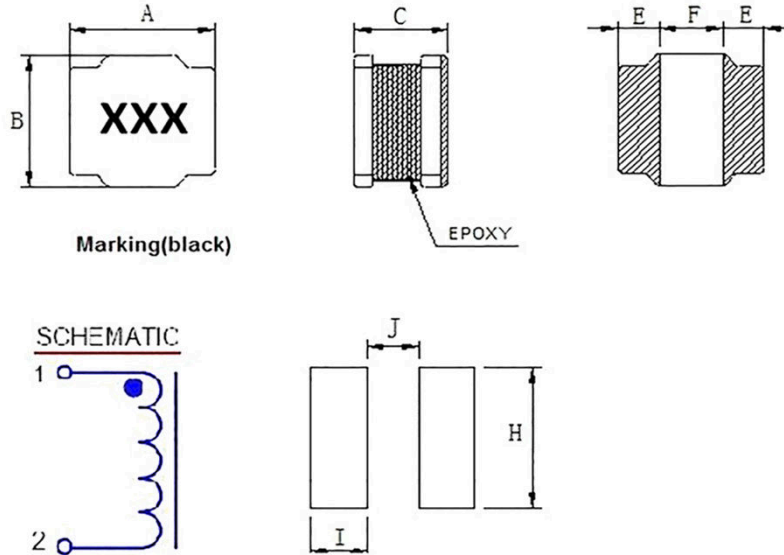
CUSTOMER : 曼特电子科技 (深圳) 有限公司

PAGE : 1 OF 3

3L P/N: SNR8040K SERIES

YOUR REF. :

1. OUTLINE DIMENSION (Unit:mm)



Item	Specifications(mm)	Typical(mm)	Item	Specifications(mm)	Typical(mm)
A	8.0 ± 0.3	8.11	F	4.0 Ref	
B	8.0 ± 0.3	8.05	G		
C	4.2 MAX	4.06	H	7.5 Ref	
D			I	2.2 Ref	
E	2.0±0.3		J	3.8 Ref	

2.NOTES

CUSTOMER APPROVED	APPROVED	CHECKED	DRAWIN



CUSTOMER : 曼特电子科技 (深圳) 有限公司 PAGE : 2 OF 3

3L P/N: SNR8040K SERIES YOUR REF. :

3.ELECTRICAL CHARACTERISTICS

3L Part NO.	Inductance L(uH)	Tolerance (±%)	DCR(mΩ) ± 30%	Isat(A) Typ.	Irms(A) Typ.	Test Condition	Marking
SNR8040K-R56N	0.56	30	5.00	11.50	7.60	1MHz/0.25V	R56
SNR8040K-1R0N	1.0	30	8.00	9.85	6.30	100KHz/0.25V	1R0
SNR8040K-1R5N	1.5	30	10.00	8.15	5.65	100KHz/0.25V	1R5
SNR8040K-2R2N	2.2	30	12.00	7.10	5.15	100KHz/0.25V	2R2
SNR8040K-3R3N	3.3	30	17.00	6.50	4.40	100KHz/0.25V	3R3
SNR8040K-4R7N	4.7	30	20.00	5.90	4.00	100KHz/0.25V	4R7
SNR8040K-5R6N	5.6	30	24.00	5.50	3.80	100KHz/0.25V	5R6
SNR8040K-6R8N	6.8	30	28.00	4.55	3.60	100KHz/0.25V	6R8
SNR8040K-8R2N	8.2	30	35.00	4.20	3.40	100KHz/0.25V	8R2
SNR8040K-100M	10.0	20	37.00	3.60	3.10	100KHz/0.25V	100
SNR8040K-150M	15.0	20	56.00	2.95	2.50	100KHz/0.25V	150
SNR8040K-220M	22.0	20	74.00	2.40	2.00	100KHz/0.25V	220
SNR8040K-270M	27.0	20	80.00	2.15	1.90	100KHz/0.25V	270
SNR8040K-330M	33.0	20	100.00	2.05	1.70	100KHz/0.25V	330
SNR8040K-470M	47.0	20	158.00	1.75	1.50	100KHz/0.25V	470
SNR8040K-560M	56.0	20	160.00	1.55	1.40	100KHz/0.25V	560
SNR8040K-680M	68.0	20	196.00	1.45	1.20	100KHz/0.25V	680
SNR8040K-820M	82.0	20	245.00	1.30	1.10	100KHz/0.25V	820
SNR8040K-101M	100.0	20	295.00	1.15	1.00	100KHz/0.25V	101
SNR8040K-151M	150.0	20	470.00	1.10	0.80	100KHz/0.25V	151
SNR8040K-171M	170.0	20	538.00	0.95	0.75	100KHz/0.25V	170
SNR8040K-181M	180.0	20	610.00	0.90	0.75	100KHz/0.25V	181
SNR8040K-221M	220.0	20	660.00	0.85	0.70	100KHz/0.25V	221
SNR8040K-331M	330.0	20	970.00	0.68	0.55	100KHz/0.25V	331
SNR8040K-471M	470.0	20	1400.00	0.60	0.48	100KHz/0.25V	471
SNR8040K-681M	680.0	20	1750.00	0.50	0.45	100KHz/0.25V	681

4.ELECTRICAL NOTES

- Saturation Current (Isat): The current will cause L to drop approximately 30% typical.
- Temperature Rise Current(Irms): The current will cause the coil temperature rise approximately ΔT=40℃ .

Test Equipments:

L :Agilent 4284A Precision LCR meter.

DCR : Milli-ohm meter.

CUSTOMER APPROVED	APPROVED	CHECKED	DRAWIN



3L ELECTRONIC GROUP HOLDINGS LIMITED

SPECIFICATION FOR APPROVAL

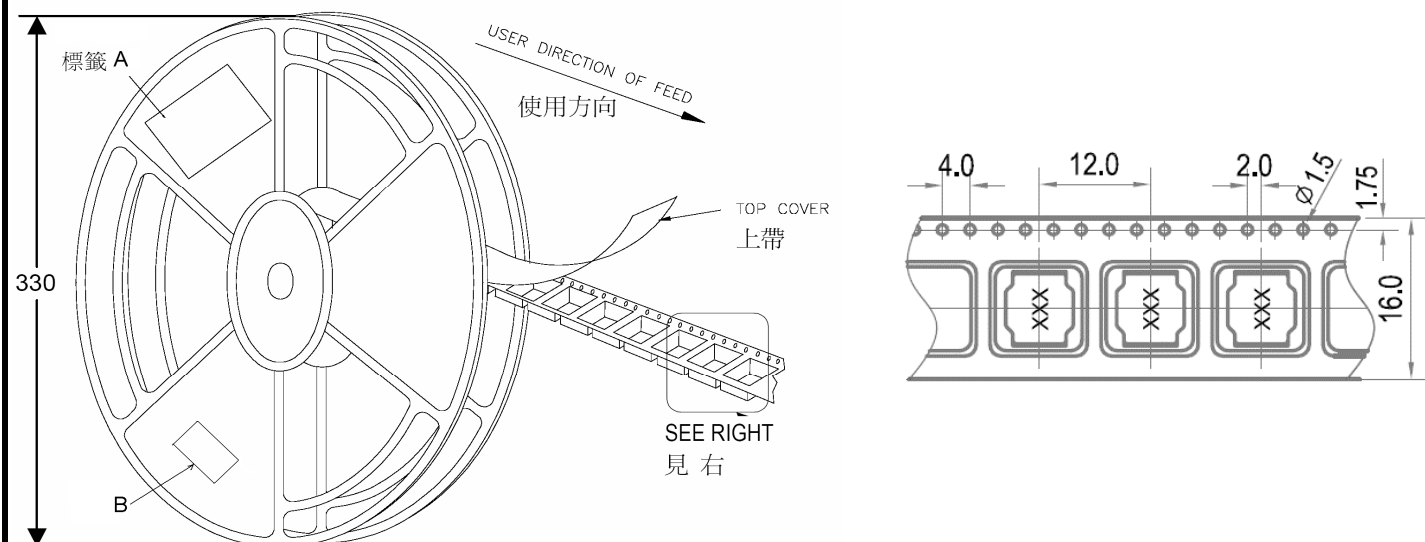


CUSTOMER : 曼特电子科技 (深圳) 有限公司 PAGE : 3 OF 3

3L P/N: SNR8040K SERIES YOUR REF. :

6. PACKAGE SPECIFICATION.

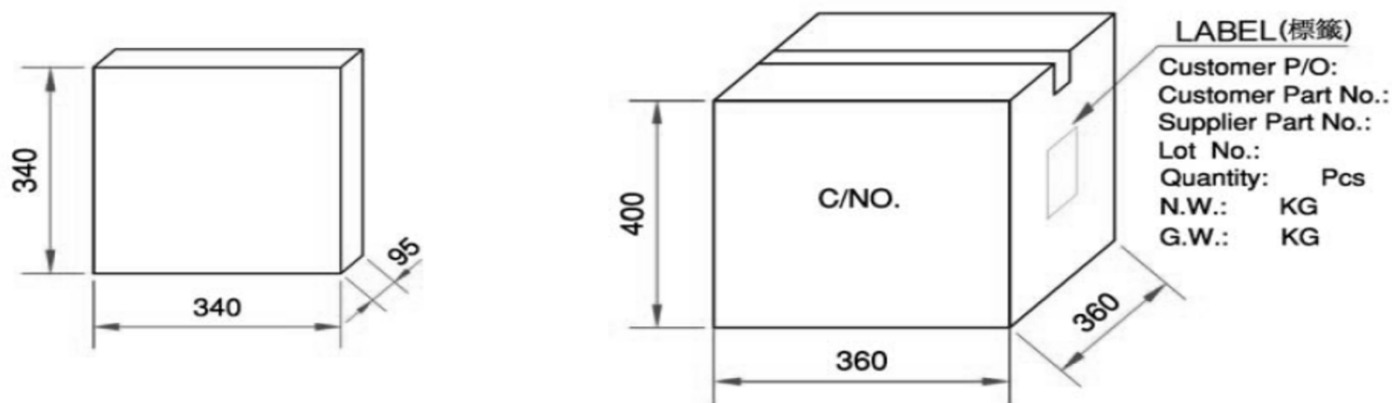
6.1: INSIDE PACKAGING DRAW NO.: 5-REEL-330MM



Each Reel: 1000 Pcs

TAPE TRAILER: 160mm~200mm TAPE LEADER: 388mm~428mm

6.2: OUTSIDE PACKAGING DRAW NO.: 5-CT-340934 / 5-CT-363640



Small carton: 3,000 pcs; Outer carton: 9,000 pcs; N.W.: KG; G.W.: KG

CUSTOMER APPROVED	APPROVED	CHECKED	DRAWIN

X-ON Electronics

Largest Supplier of Electrical and Electronic Components

Click to view similar products for [Fixed Inductors](#) category:

Click to view products by [3L COILS](#) manufacturer:

Other Similar products are found below :

[CR32NP-151KC](#) [CR32NP-180KC](#) [CR32NP-181KC](#) [CR32NP-1R5MC](#) [CR32NP-390KC](#) [CR32NP-3R9MC](#) [CR32NP-680KC](#) [CR32NP-820KC](#) [CR32NP-8R2MC](#) [CR43NP-390KC](#) [CR43NP-560KC](#) [CR43NP-680KC](#) [CR54NP-181KC](#) [CR54NP-470LC](#) [CR54NP-820KC](#) [CR54NP-8R5MC](#) [70F224AI](#) [MGDQ4-00004-P](#) [MHL1ECTTP18NJ](#) [MHQ1005P10NJ](#) [MHQ1005P1N0S](#) [MHQ1005P2N4S](#) [MHQ1005P3N6S](#) [MHQ1005P5N1S](#) [MHQ1005P8N2J](#) [PE-51506NL](#) [PE-53601NL](#) [PE-53602NL](#) [PE-53630NL](#) [PE-53824SNLT](#) [PE-92100NL](#) [PG0434.801NLT](#) [PG0936.113NLT](#) [9220-20](#) [9310-16](#) [PM06-2N7](#) [PM06-39NJ](#) [A01TK](#) [1206CS-471XJ](#) [HC2LP-R47-R](#) [HC2-R47-R](#) [HC3-2R2-R](#) [HCF1305-3R3-R](#) [1206CS-151XG](#) [RCH664NP-140L](#) [RCH664NP-4R7M](#) [RCH8011NP-221L](#) [RCP1317NP-332L](#) [RCP1317NP-391L](#) [RCR1010NP-470M](#)