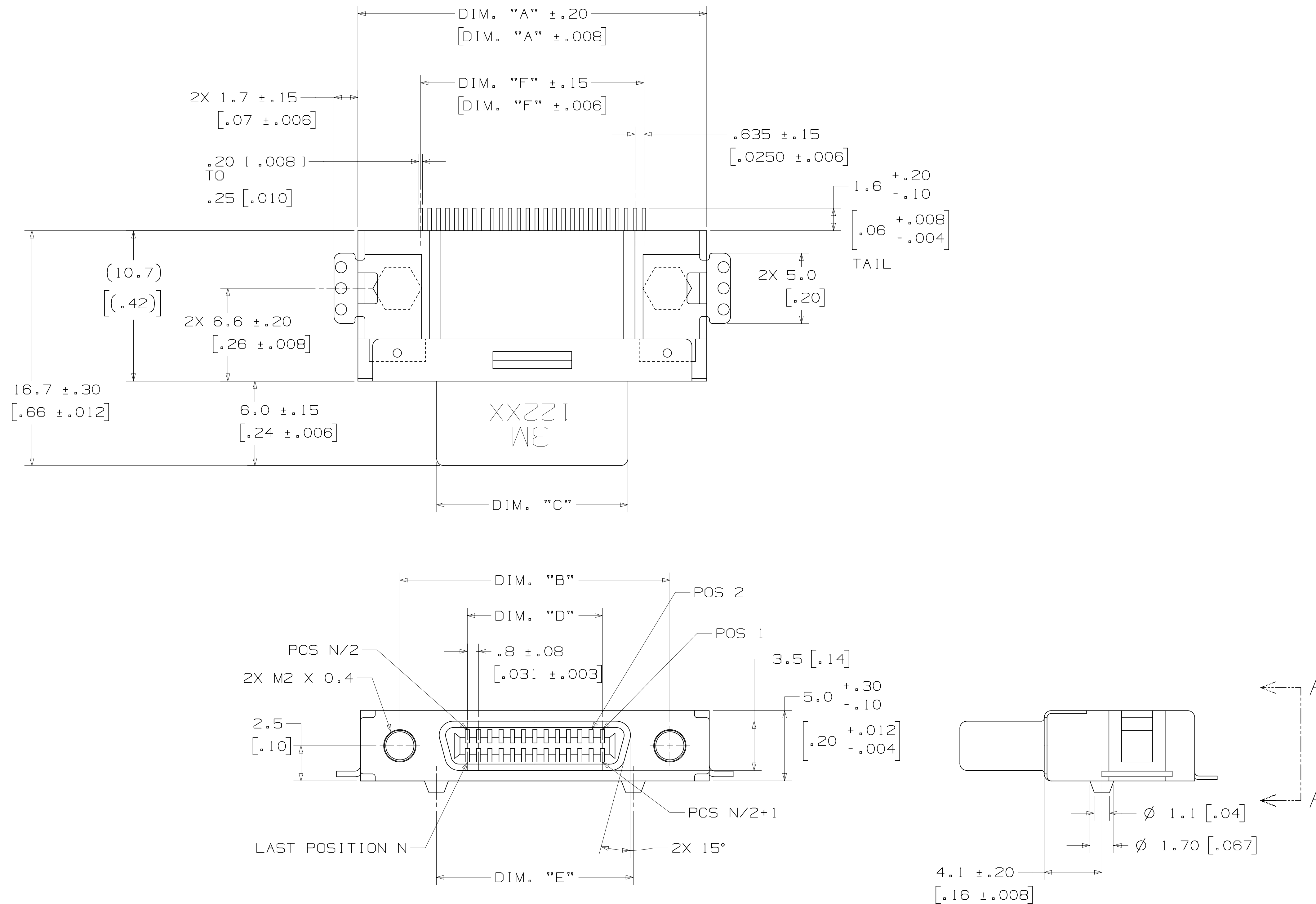


3M™ Shrunk Delta Ribbon (SDR) Connectors, 122 Series  
 .80 mm Surface Mount, Right Angle Receptacle, Shielded



POSITION	DIM. "A"	DIM. "B"	DIM. "C"	DIM. "D"	DIM. "E"	DIM. "F"	DIM. "G"
14	20.0 [.79]	14.4 [.57]	8.8 [.35]	4.8 [.19]	9.2 [.36]	8.255 [.3250]	19.0 [.75]
26	24.8 [.98]	19.2 [.76]	13.6 [.54]	9.6 [.38]	14.0 [.55]	15.875 [.6250]	23.8 [.94]

CONNECTOR DIMENSION TABLE  
 TABLE 1

- NOTES
- MATERIAL:  
 INSULATION: 14 PIN: PPS, 26 PIN: LCP  
 COLOR: BLACK, UL94V-0  
  
 CONTACT: COPPER ALLOY  
 PLATING:  
 SEE ORDERING INFO SHEET 2  
  
 SHROUD & LATCH HOOK: STEEL  
 PLATING: NICKEL  
  
 GROUND LOCK: COPPER ALLOY  
 PLATING: SEMI-BRIGHT TIN OVER NICKEL  
  
 LOCK SCREW: STEEL  
 PLATING: NICKEL  
  
 ALIGNMENT PLATE: PPS  
 COLOR: BLACK, UL94V-0  
  
 EARTH PLATE: COPPER ALLOY  
 PLATING: TIN  
  
 HEX NUT: BRASS
  - MARKING: 3M LOGO AND PART NUMBER.
  - ELECTRICAL:  
 CURRENT RATING: 0.5 A  
 INSULATION RESISTANCE: 500 MΩ MIN AT 250 V<sub>DC</sub>  
 WITHSTANDING VOLTAGE: 350 V<sub>AC</sub> FOR 1 MINUTE
  - ENVIRONMENTAL:  
 TEMPERATURE RATING:  
 -40°C TO +70°C  
 PROCESS RATING:  
 REFLOW: PREHEAT 150° TO 180°C,  
 90 TO 120 SECONDS  
 30 TO 60 SECONDS, PEAK TEMPERATURE  
 IS 250°C MAX.  
 SOLDER IRON: 380°C MAX, 3 SECONDS MAX.
  - IN THE EVENT OF CONFLICT BETWEEN THIS DATA  
 AND THAT CONTAINED IN THE PRODUCT  
 SPECIFICATION, THE PRODUCT SPECIFICATION  
 TAKES PRECEDENT.
  - FOR VARIOUS PANEL THICKNESS JACKSOCKETS  
 REFER TO TS-0142.
  - SEE REGULATORY INFORMATION APPENDIX (RIA)  
 IN THE "RoHS COMPLIANCE" SECTION OF  
[WWW.3MCONNECTOR.COM](http://WWW.3MCONNECTOR.COM) FOR COMPLIANCE INFORMATION.

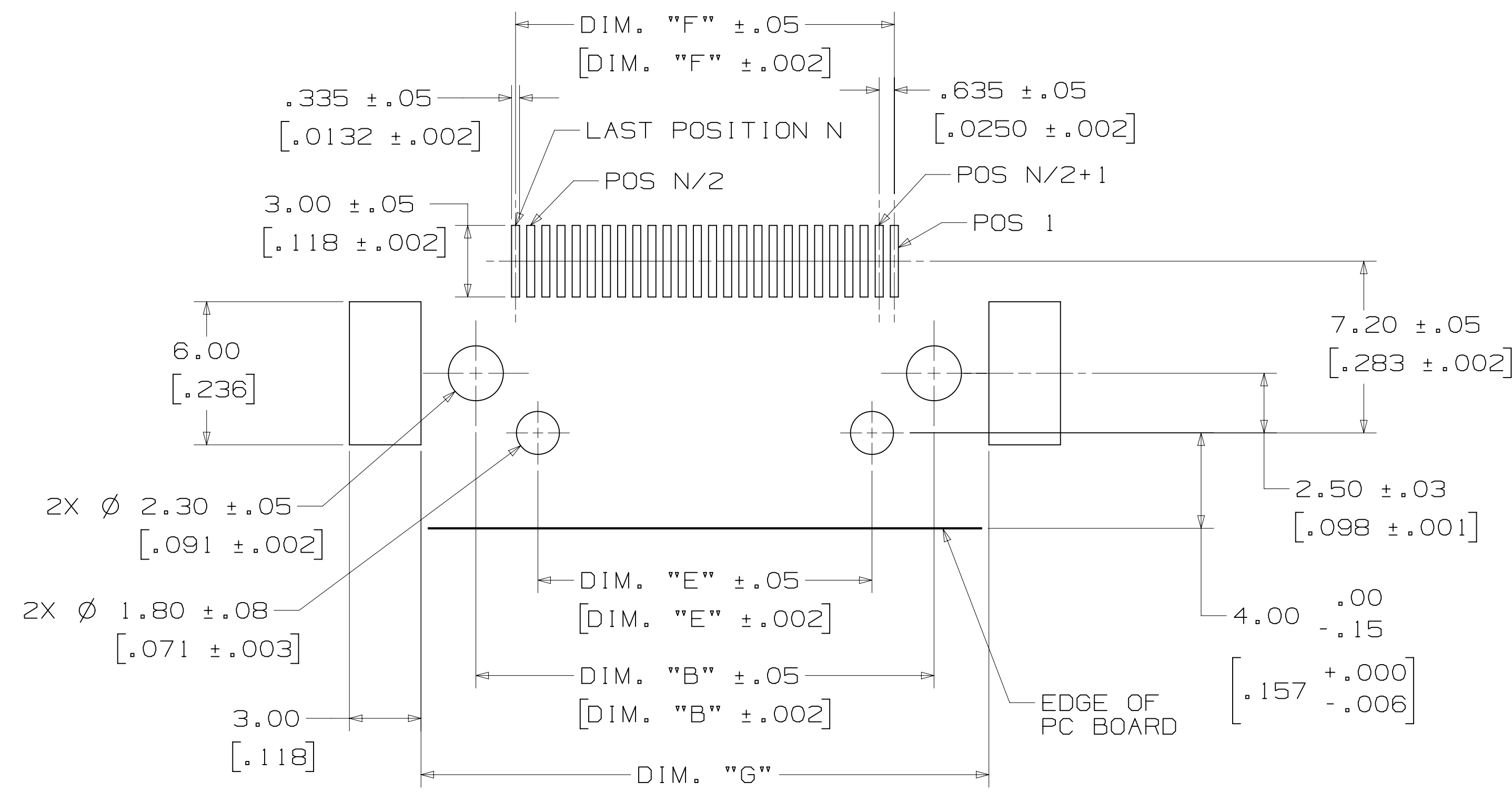
DIMENSIONS ARE IN MM.  
 SECONDARY ARE IN [ INCHES ]  
 AND ARE FOR REFERENCE ONLY

DESIGN REFERENCE	NEXT ASSEMBLY	REV	ECO	ISSUE DATE AND DESCRIPTION	DRFT	CHKD
DIVISION	DIVISION CODE	DATE	DATE	DATE	DATE	DATE
Interconnect Solutions	ISD	JAN 07, 2011	MFG	MAR 30, 2011		
DO NOT SCALE DRAWING	SCALE 6-1	TOLERANCES EXCEPT AS NOTED		INCHES .00 ± .006 .000 ± .006 .0000 ± .005 MILLIMETERS 0 ± .15 .00 ± .15 .000 ± .13 ANGLES MARKED ONLY		
THIRD ANGLE PROJECTION	INTERPRET PER ASME Y14.5 - 1994	MAX SURFACE ROUGHNESS SURFACES MARKED ONLY		TITLE 3M SHRUNK DELTA RIBBON (SDR) CONN. 122XX-82X0-00XX CAGE NUMBER D 78-5100-2125-2 MODEL 12200		
		F 40541 MAY 01, 2012 ADD 'PL' PLATING SPEC ARM DFC E 30752 JAN 05, 2011 REVISED AND REDRAWN JNC SC		© 3M COPYRIGHT 2012 This document and the information it contains are 3M property and may not be reproduced or further distributed without 3M permission, or used or disclosed other than for 3M authorized purposes. All rights reserved.		
		UL FILE NO: E68080		REV. F SHT 1 OF 2		

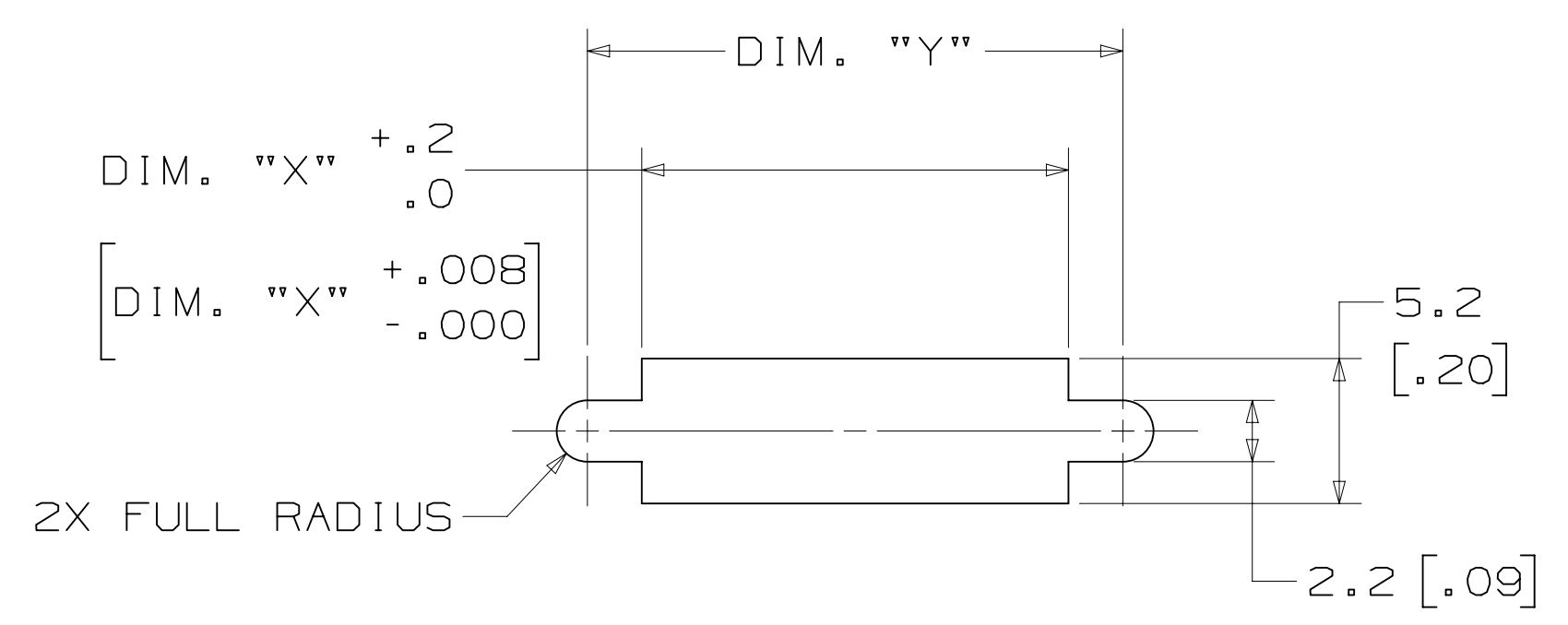


178-5100-2125-2

3M™ Shrunk Delta Ribbon (SDR) Connectors, 122 Series  
 .80 mm Surface Mount, Right Angle Receptacle, Shielded



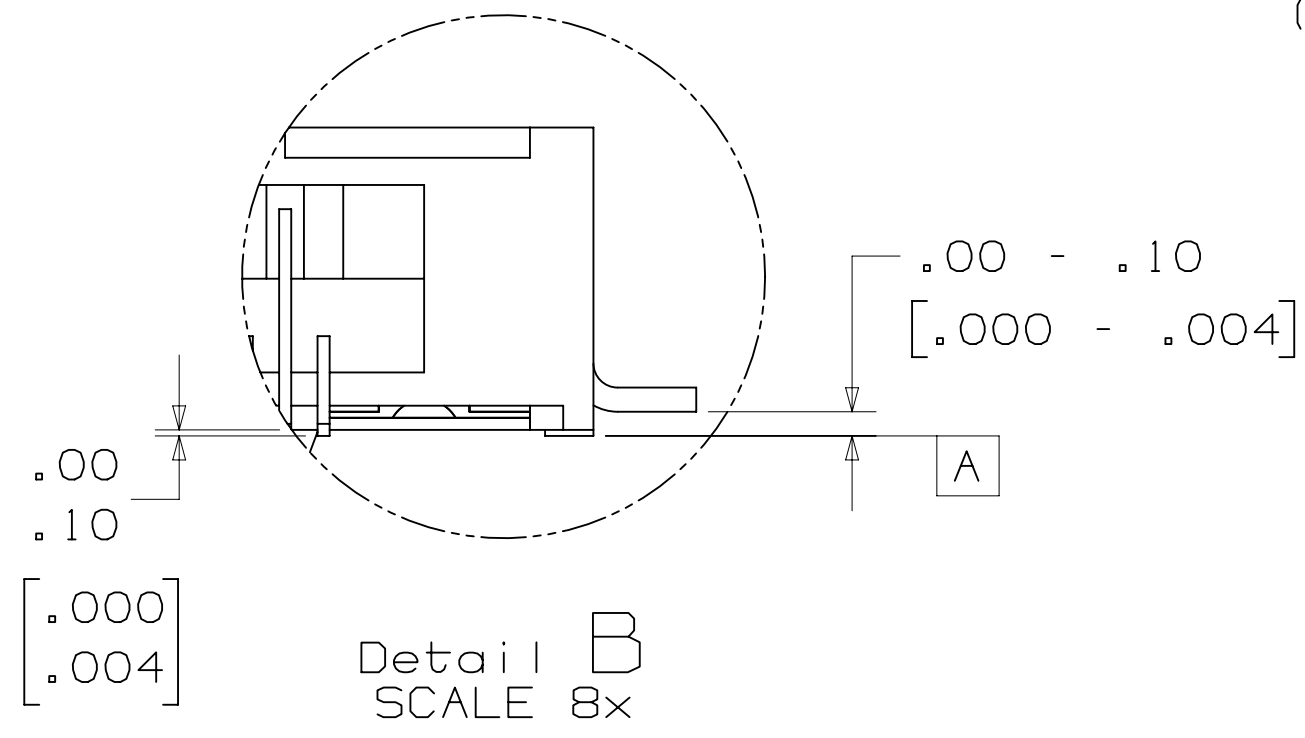
RECOMMENDED PC BOARD LAYOUT  
 (MOUNT SIDE VIEW)  
 N = TOTAL NUMBER OF POSITIONS  
 SCALE 6X



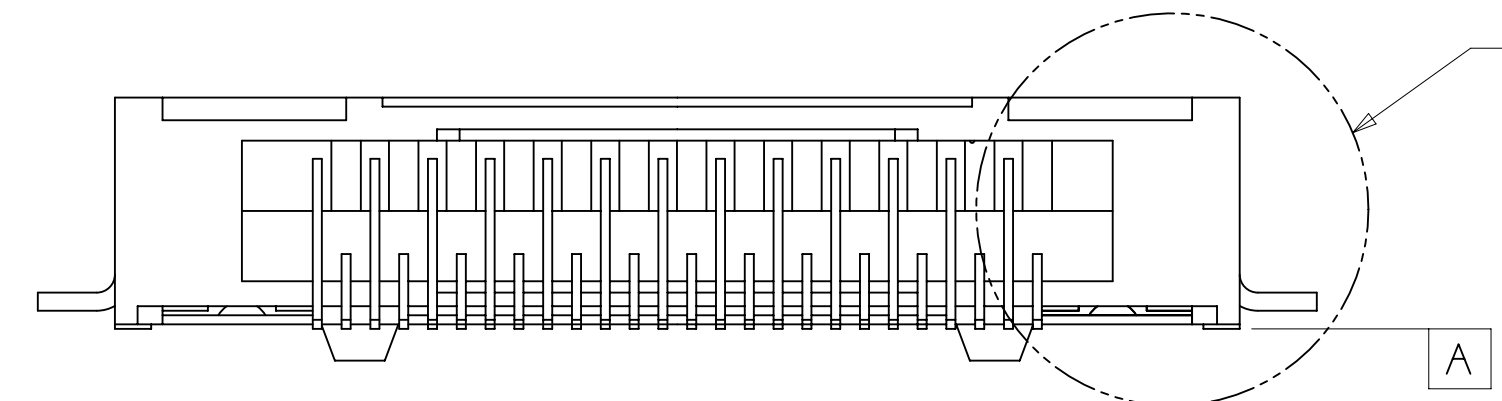
RECOMMENDED PANEL CUT-OUT  
 (MAXIMUM PANEL THICKNESS 1.2MM)

POSITION	DIM. "X"	DIM. "Y"
14	10.5 [.41]	14.4 [.57]
26	15.3 [.60]	19.2 [.76]

RECOMMENDED PANEL CUT-OUT DIMENSION TABLE  
 TABLE 2

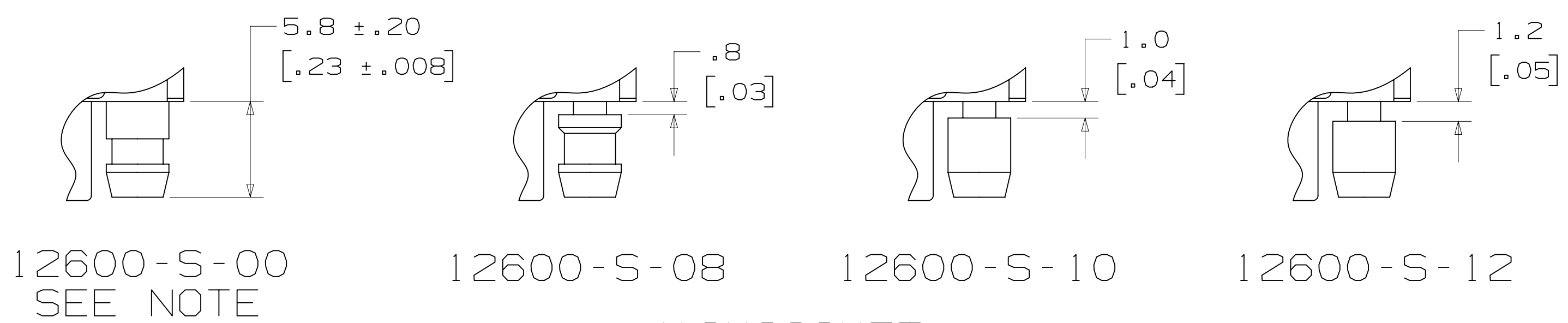


Detail B  
 SCALE 8x



VIEW A-A  
 SCALE 6X

THE DIMENSION OF PIN TAILS LOWER SURFACE TO DATUM "A" SURFACE: 0.00 TO 0.10 [.000 TO .004].  
 NOTE: THE CONNECTOR SHOULD BE ON FLAT FIXTURE SURFACE WHEN THE DIMENSIONS ARE MEASURED.



12600-S-00 SEE NOTE  
 12600-S-08  
 12600-S-10  
 12600-S-12

JACKSOCKET  
 M2 X 0.4

NOTE: JACKSOCKET 12600-S-00 COMES FACTORY INSTALLED IN CONNECTOR 122XX-8250-00FR. IT IS FIXED WITH THREAD LOCKING ADHESIVE AND CANNOT BE REMOVED.

PANEL THICKNESS	CONNECTOR	JACKSOCKET
NO PANEL	122XX-8250-00XX	FACTORY INSTALLED (SEE NOTE)
0.8±0.1MM	122XX-8200-00XX	12600-S-08 (ORDER SEPARATELY)
1.0±0.1MM	122XX-8200-00XX	12600-S-10 (ORDER SEPARATELY)
1.2±0.1MM	122XX-8200-00XX	12600-S-12 (ORDER SEPARATELY)

SELECTION TABLE FOR PANEL MOUNTING  
 TABLE 3

ORDERING INFORMATION:  
 122XX-82X0-00XX

CONTACT QUANTITY  
 (SEE TABLE 1)

PLATING OPTION:

FR = 50-100μ" NICKEL UNDERPLATE  
 30μ" GOLD MIN. WIPE AREA  
 FLASH GOLD TERM AREA (TAIL)  
 PL = 50-100μ" NICKEL UNDERPLATE  
 8μ" GOLD MIN. WIPE AREA  
 FLASH GOLD TERM AREA (TAIL)

SCREW LOCK OPTION: (SEE TABLE 3)

0=NONE  
 (RIA E1 & C1 APPLY)  
 5=WITH 12600-S-00 NON-REMOVABLE SCREW LOCK  
 (RIA E5 & C3 APPLY)

DESIGN REFERENCE	NEXT ASSEMBLY	REV	ECO	ISSUE DATE AND DESCRIPTION	DRFT	CHKD
DIVISION	DIVISION CODE	DATE	DATE	DATE	DATE	DATE
Interconnect Solutions	ISD	JAN 07, 2011	JAN 07, 2011	JAN 07, 2011	JAN 07, 2011	JAN 07, 2011
DO NOT SCALE DRAWING	SCALE 4/1	TOLERANCES EXCEPT AS NOTED				
		INCHES				
		.00 ±.006				
		.000 ±.006				
		.0000 ±.005				
THIRD ANGLE PROJECTION		MILLIMETERS				
		0 ±				
INTERPRET PER ASME Y14.5 - 1994		.0 ±.15				
		.00 ±.15				
MAX SURFACE ROUGHNESS		.000 ±.13				
MARKED SURFACES		ANGLES				
MARKED ONLY						

CAGE NUMBER D 78-5100-2125-2  
 MODEL 12200  
 TITLE 3M SHRUNK DELTA RIBBON (SDR) CONN. 122XX-82X0-00XX  
 3M Center St. Paul, MN 55144  
 © 3M COPYRIGHT 2012  
 This document and the information it contains are 3M property and may not be reproduced or further distributed without 3M permission, or used or disclosed other than for 3M authorized purposes. All rights reserved.

## X-ON Electronics

Largest Supplier of Electrical and Electronic Components

*Click to view similar products for [D-Sub Micro-D Connectors](#) category:*

*Click to view products by [3M](#) manufacturer:*

Other Similar products are found below :

[89076GBEPR](#) [65-1920-15](#) [M83513/03-A10N](#) [M83513/03-G09N](#) [M83513/03-G12N](#) [M83513/04-E15N](#) [M83513/04-G04C](#) [M83513/22-D01NP](#) [664020C06F060](#) [6R2004A30F015](#) [6R4006A28A120](#) [703006A13F060](#) [704002A03F200](#) [705001A13F120](#) [71-147714-19P](#) [7-1532020-5](#) [748567-1-P](#) [MDB1-9SH001](#) [MDM-15PBS-L58](#) [MDM-15PCBRM7T](#) [MDM-15PH001M7-A174](#) [MDM-15PH003B-A174](#) [MDM-15SH004B](#) [MDM-15SH048B](#) [MDM-25PH003B-A174](#) [MDM-37PH006L-A174](#) [MDM-51PSF](#) [MDM-9PH003M7](#) [MDM-9SH001P](#) [MDM-9SH006B](#) [790-027SH-10P4MEP](#) [790-041PJ-25P2MPA](#) [790-043PJ-7P7MPB](#) [791-004SH-66MSA](#) [7R3A00A19A1201](#) [7R5006A19A120](#) [803000C02M020](#) [803001B02M040](#) [803001D01M040](#) [8030N1A09M020](#) [804001B03M100](#) [804006B03M100](#) [804006C02M030](#) [MLDM2L-21SCBRP-.110](#) [85043GULSR](#) [883020E03M030](#) [883031D01M030](#) [883033B03M020](#) [884030A09M040](#) [884030K03M040](#)