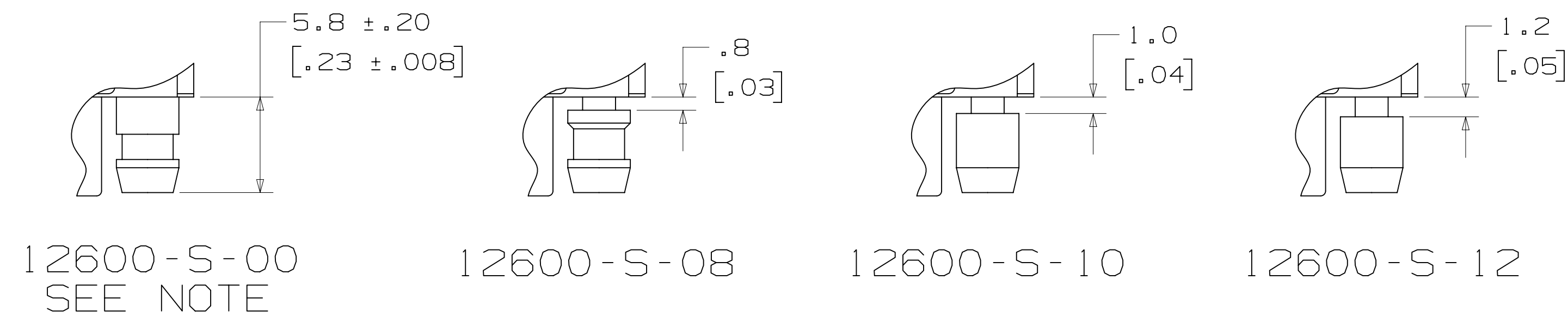
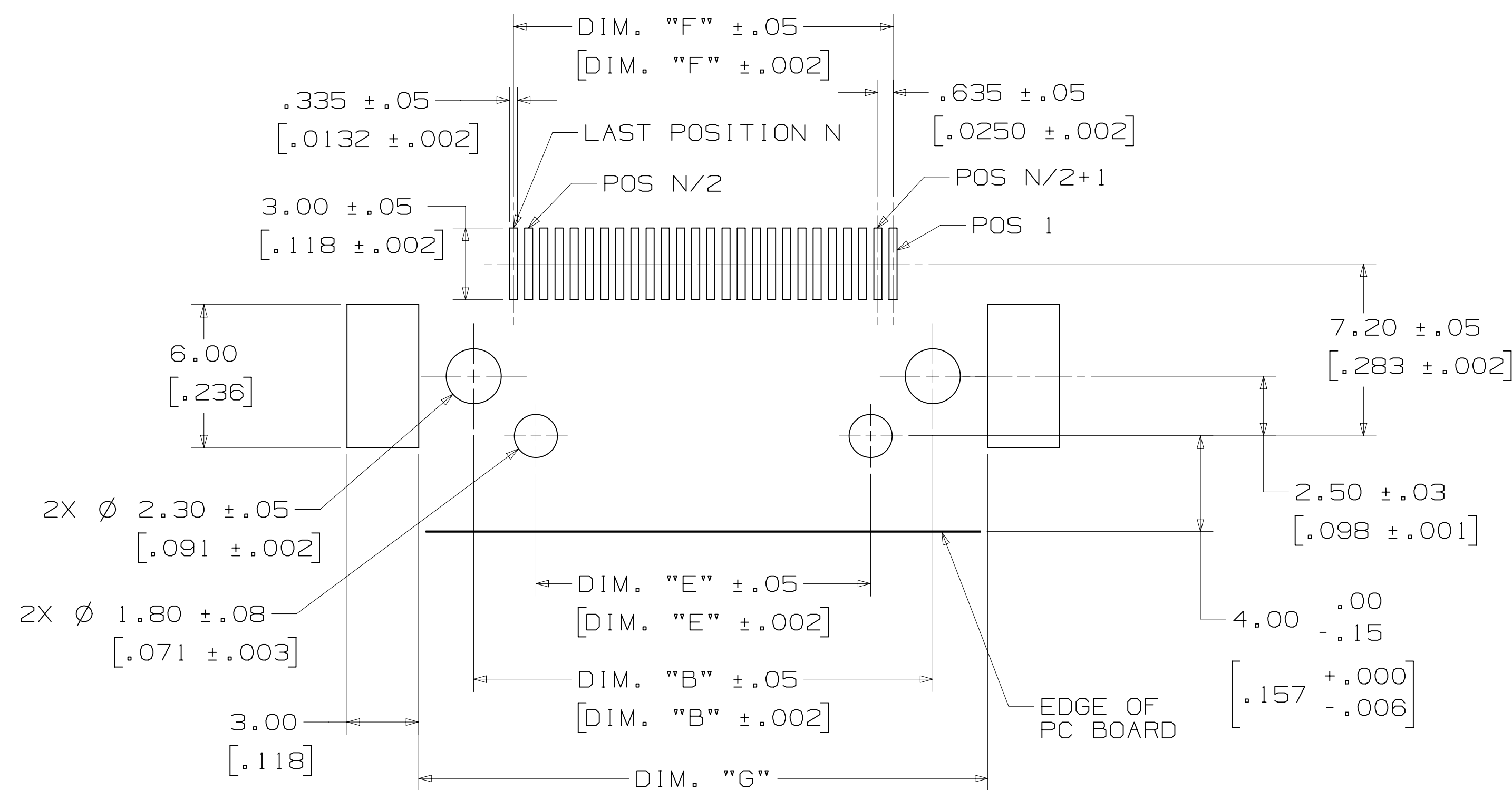


3M™ Shrunk Delta Ribbon (SDR) Connectors, 122 Series

.80 mm Surface Mount, Right Angle Receptacle, Shielded



NOTE: JACKSOCKET 12600-S-00 COMES FACTORY INSTALLED IN CONNECTOR 122XX-8250-00FR. IT IS FIXED WITH THREAD LOCKING ADHESIVE AND CANNOT BE REMOVED.

PANEL THICKNESS	CONNECTOR	JACKSOCKET
NO PANEL	122XX-8250-00XX	FACTORY INSTALLED (SEE NOTE)
0.8±0.1MM	122XX-8200-00XX	12600-S-08 (ORDER SEPARATELY)
1.0±0.1MM	122XX-8200-00XX	12600-S-10 (ORDER SEPARATELY)
1.2±0.1MM	122XX-8200-00XX	12600-S-12 (ORDER SEPARATELY)

SELECTION TABLE FOR PANEL MOUNTING
TABLE 3

ORDERING INFORMATION: 122XX-82X0-00XX

CONTACT QUANTITY (SEE TABLE 1)

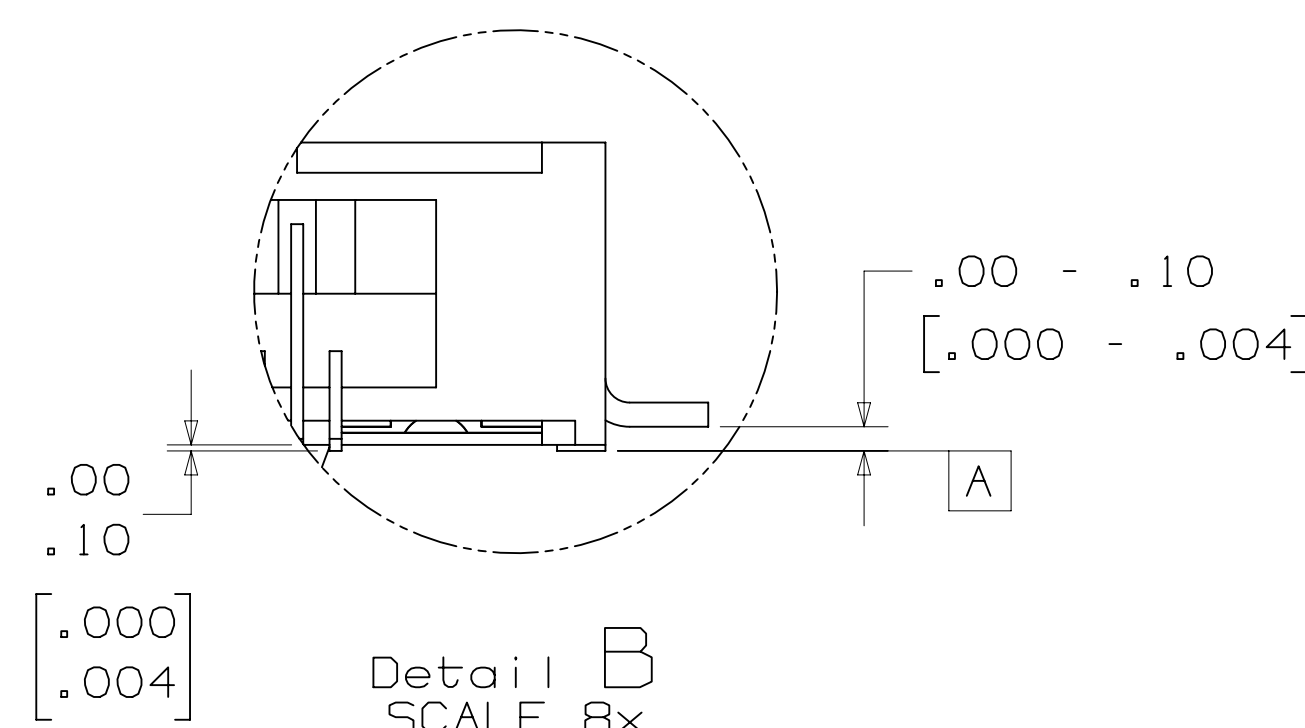
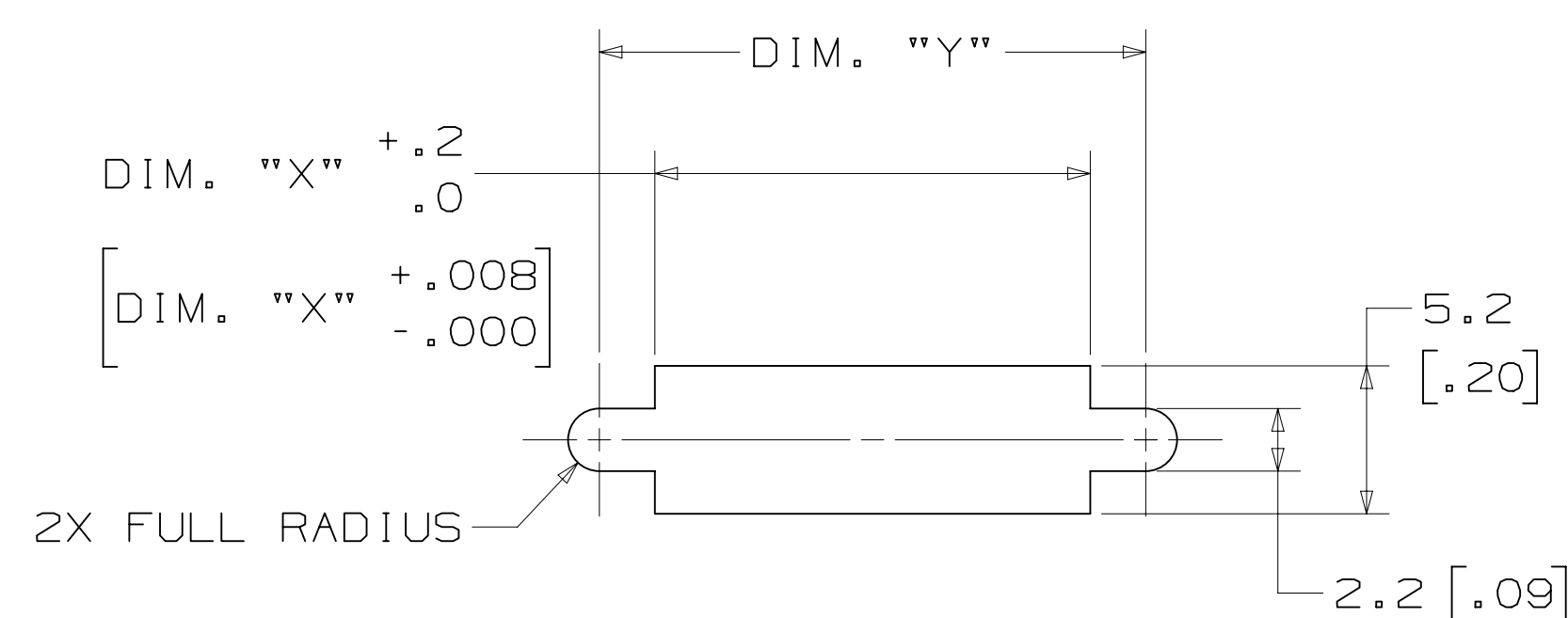
PLATING OPTION:

FR = 50-100µ" NICKEL UNDERPLATE
30µ" GOLD MIN. WIPE AREA
FLASH GOLD TERM AREA (TAIL)

PL = 50-100µ" NICKEL UNDERPLATE
8µ" GOLD MIN. WIPE AREA
FLASH GOLD TERM AREA (TAIL)

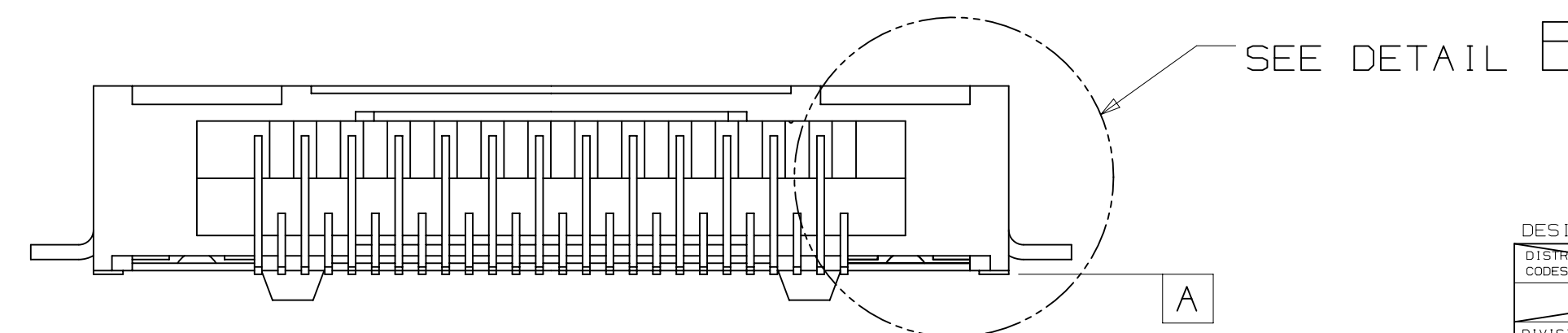
SCREW LOCK OPTION: (SEE TABLE 3)

0=NONE (RIA E1 & C1 APPLY)
5=WITH 12600-S-00 NON-REMOVABLE SCREW LOCK (RIA E5 & C3 APPLY)



POSITION	DIM. "X"	DIM. "Y"
14	10.5 [.41]	14.4 [.57]
26	15.3 [.60]	19.2 [.76]

RECOMMENDED PANEL CUT-OUT DIMENSION TABLE
TABLE 2



THE DIMENSION OF PIN TAILS LOWER SURFACE TO DATUM "A" SURFACE: 0.00 TO 0.10 [.000 TO .004].
NOTE: THE CONNECTOR SHOULD BE ON FLAT FIXTURE SURFACE WHEN THE DIMENSIONS ARE MEASURED.

DESIGN REFERENCE	NEXT ASSEMBLY	REV	ECO	ISSUE DATE AND DESCRIPTION	DRFT	CHKD
INTERCONNECT SOLUTIONS	ISD	CASTIGLIONE	JAN 07, 2011	MFG	DATE	
DO NOT SCALE DRAWING	SCALE 4/1	TOLERANCES EXCEPT AS NOTED	INCHES	.00 ± .006 .000 ± .006 .0000 ± .005	MILLIMETERS	0 ± .15 .00 ± .15 .000 ± .13
THIRD ANGLE PROJECTION	INTERPRET PER ASME Y14.5 - 1994	MAX SURFACE ROUGHNESS	DA SURFACES	MARKED ONLY	ANGLES	
3M Center St. Paul, MN 55144		© 3M COPYRIGHT 2012		This document and the information it contains are 3M property and may not be reproduced or further distributed without 3M permission, or used or disclosed other than for 3M authorized purposes. All rights reserved.		
TITLE		3M SHRUNK DELTA RIBBON (SDR) CONN. 122XX-82X0-00XX				
CAGE NUMBER	SIZE	DRAWING NO.	REV.			
D		78-5100-2125-2	F			
MODEL	12200	DET	1	IS1s	YES	NO
		SHT 2 OF 2				

X-ON Electronics

Largest Supplier of Electrical and Electronic Components

Click to view similar products for [D-Sub Micro-D Connectors](#) category:

Click to view products by [3M](#) manufacturer:

Other Similar products are found below :

[89076GBEPR](#) [65-1920-15](#) [M83513/03-G12N](#) [M83513/04-G04C](#) [664020C06F060](#) [6R2004A30F015](#) [6R4006A28A120](#) [703006A13F060](#)
[704002A03F200](#) [705001A13F120](#) [71-147714-19P](#) [7-1532020-5](#) [748567-1-P](#) [MDB1-9SH001](#) [MDM-100PH003L](#) [MDM-15PBS-L58](#) [MDM-15PCBRM7T](#) [MDM-15PH001M7-A174](#) [MDM-15PH003B-A174](#) [MDM-15SH001L](#) [MDM-15SH003A](#) [MDM-15SH004B](#) [MDM-15SH006A-A174](#) [MDM-15SH048B](#) [MDM-25PH003B-A174](#) [MDM-25SH003F](#) [MDM-25SH003K](#) [MDM-31PH003L](#) [MDM-37PH006L-A174](#) [MDM-37SH003K](#) [MDM51PH016FA174](#) [MDM-51PSF](#) [MDM-9PH003M7](#) [MDM-9PH003P-A174](#) [MDM-9SH001P](#) [MDM-9SH006B](#) [790-027SH-10P4MEP](#) [790-041PJ-25P2MPA](#) [790-043PJ-7P7MPB](#) [791-004SH-66MSA](#) [7R3A00A19A1201](#) [7R5006A19A120](#) [803000C02M020](#)
[803001B02M040](#) [803001D01M040](#) [8030N1A09M020](#) [804001B03M100](#) [804006B03M100](#) [804006C02M030](#) [MLDM2L-21SCBRP-.110](#)