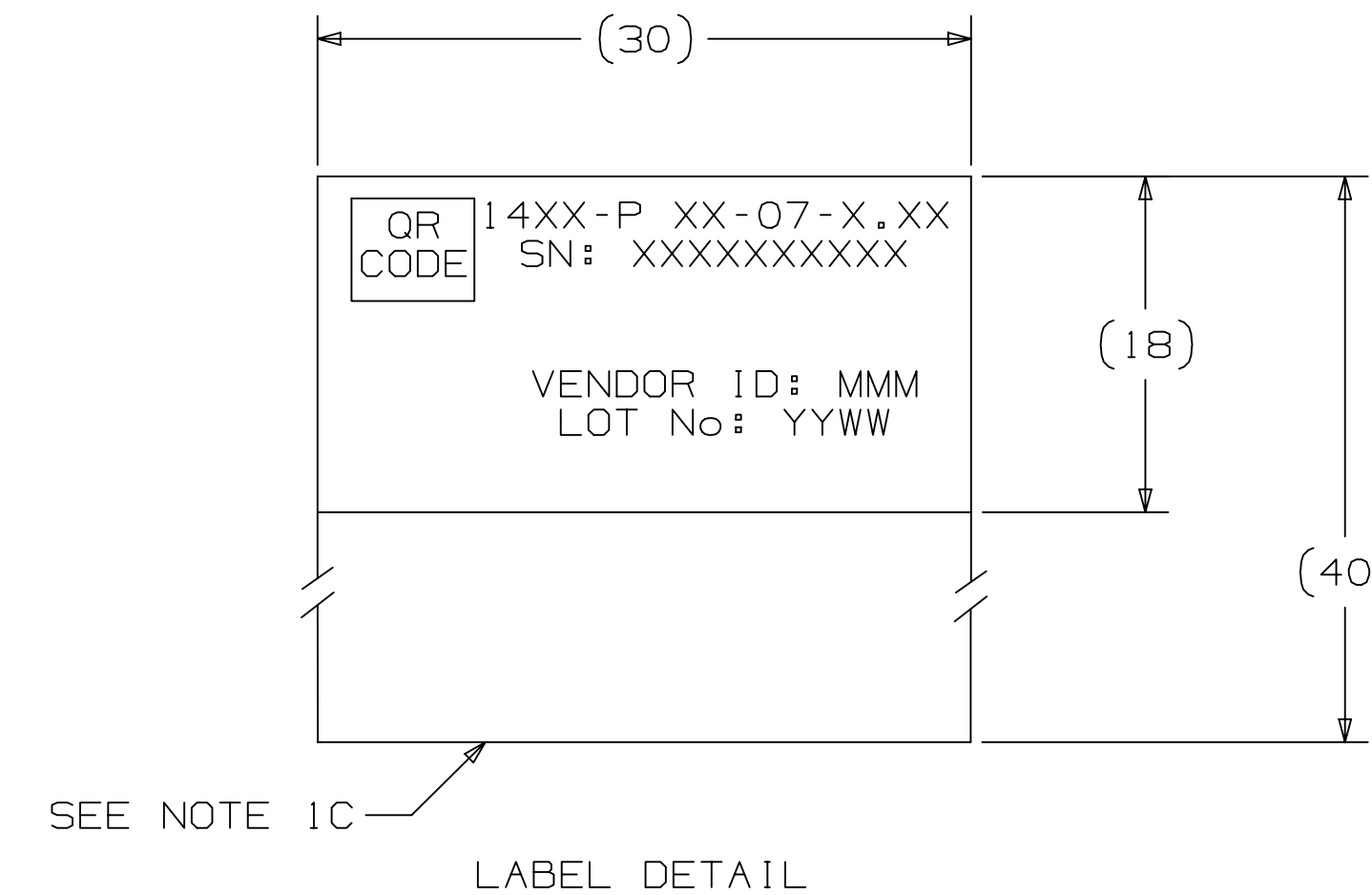
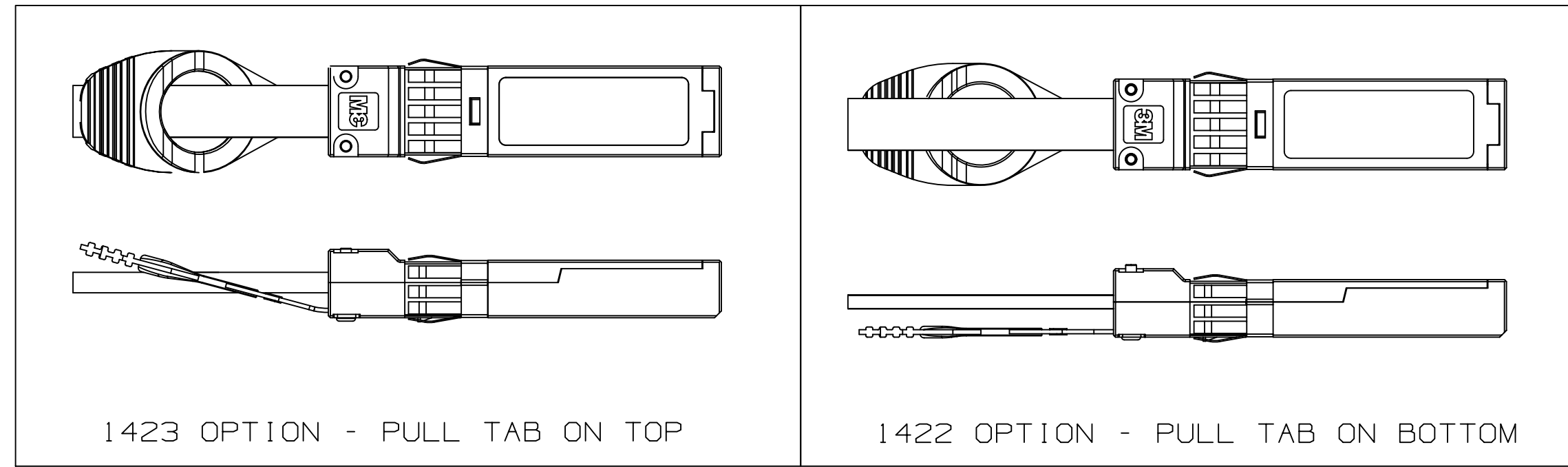


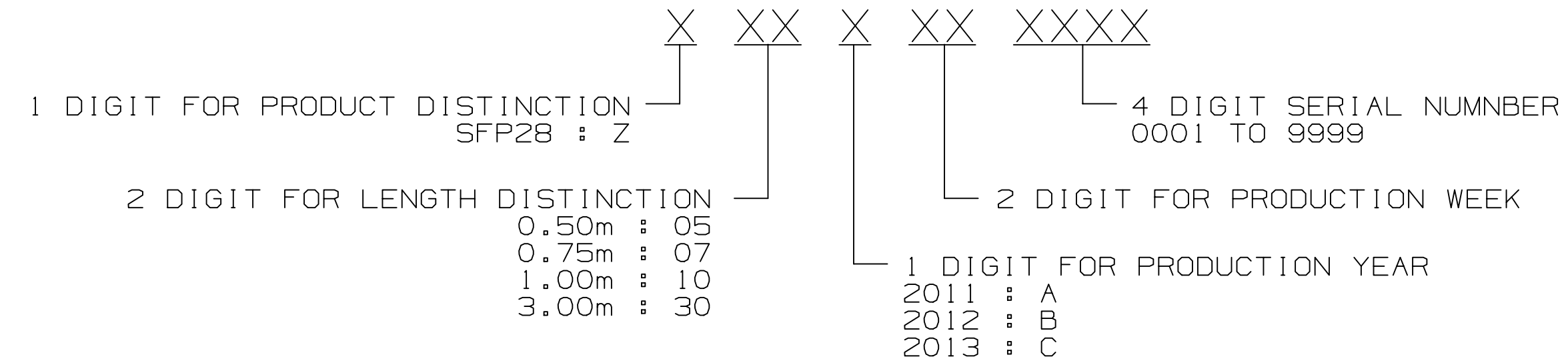
3M™ 25G SFP28 DIRECT ATTACH COPPER CABLE ASSEMBLIES, 1422/1423 SERIES

EXAMPLE - PART NUMBER ORDER DETAIL

3M PART NUMBER	CABLE OPTIONS	AWG	TOTAL LENGTH "L"	PULL TAB OPTIONS
1422-P24-07-0.50	UTJ PVC, BLACK WITH COPPER FOIL	30	0.5	BOTTOM
1422-P24-07-1.00	UTJ PVC, BLACK WITH COPPER FOIL	30	1.0	BOTTOM
1422-P24-07-2.00	UTJ PVC, BLACK WITH COPPER FOIL	30	2.0	BOTTOM
1422-P34-07-2.00	UTJ PVC, BLACK WITH COPPER FOIL	26	2.0	BOTTOM
1422-P34-07-3.00	UTJ PVC, BLACK WITH COPPER FOIL	26	3.0	BOTTOM
1422-P34-07-4.00	UTJ PVC, BLACK WITH COPPER FOIL	26	4.0	BOTTOM
1422-P35-07-1.00	CL2, BLACK WITH COPPER FOIL	30	1.0	BOTTOM
1422-P40-07-3.00	CL2, BLACK WITH COPPER FOIL	26	3.0	BOTTOM



SERIAL NUMBER (QR CODE) FORMAT



Regulatory: For regulatory information about this product, visit 3M.com/regs or contact your 3M representative.

Technical Information: The technical information, recommendations and other statements contained in this document are based upon tests or experience that 3M believes are reliable, but the accuracy or completeness of such information is not guaranteed.

Product Use: Many factors beyond 3M's control and uniquely within user's control can affect the use and performance of a 3M product in a particular application. Given the variety of factors that can affect the use and performance of a 3M product, user is solely responsible for evaluating the 3M product and determining whether it is fit for a particular purpose and suitable for user's method of application.

Warranty, Limited Remedy, and Disclaimer: Unless an additional warranty is specifically stated on the applicable 3M product packaging or product literature, 3M warrants that each 3M product meets the applicable 3M product specification at the time 3M ships the product. 3M MAKES NO OTHER WARRANTIES OR CONDITIONS, EXPRESS OR IMPLIED, INCLUDING, BUT NOT LIMITED TO, ANY IMPLIED WARRANTY OR CONDITION OF MERCHANTABILITY OR FITNESS FOR A PARTICULAR PURPOSE OR ANY IMPLIED WARRANTY OR CONDITION ARISING OUT OF A COURSE OF DEALING, CUSTOM OR USAGE OR TRADE. If the 3M product does not conform to this warranty, then the sole and exclusive remedy is, at 3M's option, replacement of the 3M product or refund of the purchase price.

Limitation of Liability: Except where prohibited by law, 3M will not be liable for any loss or damage arising from the 3M product, whether direct, indirect, special, incidental or consequential, regardless of the legal theory asserted, including warranty, contract, negligence or strict liability.

3M Business Center
 Electronics Materials Solutions Division
 13011 McCallen Pass, Bldg. C
 Austin, TX 78753-5380
 1-800-225-5373
 www.3M.com/interconnect

3M ELECTRONICS MATERIALS SOLUTIONS DIVISION
 INTERCONNECT SOLUTIONS
 http://www.3M.com/interconnect

3M IS A TRADEMARK OF 3M COMPANY.
 FOR TECHNICAL, SALES OR ORDERING
 INFORMATION CALL 800-225-5373

REV	ECO	ISSUE DATE AND DESCRIPTION	DRFT	CHKD
E	86392	SEP 24, 2019 REVISE NOTES	JNC	DLG
D	84769	JUL 17, 2019 REVISE NOTES AND REDRAW IN NX FORMAT	JNC	DD
C	78965	MAY 03, 2019 REVISE DRAWING	YL	YL

DESIGN REFERENCE	NEXT ASSEMBLY	REV	ECO	ISSUE DATE AND DESCRIPTION	DRFT	CHKD
		YUNLONG		JUL 12, 2017 EDDIE		JUL 12, 2017
		YUNLONG		JUL 12, 2017 SAJJIT BANDHU		JUL 12, 2017

DO NOT SCALE DRAWING TOLERANCES EXCEPT AS NOTED INCHES .0 ± .30 .00 ± .15 .000 ± .05 MILLIMETERS 0 ± 1 .0 ± .30 .00 ± .15 .000 ± .05 INTERPRET PER ASME Y14.5 - 2009 MAX SURFACE ROUGHNESS ALL SURFACES MARKED ONLY ANGLES ± 1°	3M Center St. Paul, MN 55144 © 3M COPYRIGHT 2019 This document and the information it contains are 3M property and may not be reproduced or further distributed without 3M permission, or used or disclosed other than for 3M authorized purposes. All rights reserved.
TITLE 3M 25G SFP28 DIRECT ATTACH CABLE ASS'Y 1422/1423 SERIES	CAGE NUMBER D 78-5100-2664-0 MODEL SFP28

78-5100-2664-0 DRAWING NUMBER

A

E

X-ON Electronics

Largest Supplier of Electrical and Electronic Components

Click to view similar products for [Ethernet Cables / Networking Cables](#) category:

Click to view products by [3M](#) manufacturer:

Other Similar products are found below :

[73-6670-7](#) [73-6680-15](#) [73-7797-25](#) [MCJB2-10P6Q7-120](#) [84909-0204](#) [1200700174](#) [1200860368](#) [E16A06002M030](#) [E200102-009-S1](#)
[AX105346-EW](#) [MT14-187L](#) [17-103530](#) [ERWPAB3002M005](#) [190-038045-01](#) [NK5EPC18RDY](#) [NK5EPC18VLY](#) [NK5EPC18YLY](#)
[NK5EPC1GRY](#) [NK5EPC4Y](#) [NK5EPC6YLY](#) [NK5EPC8BLY](#) [NK5EPC9YLY](#) [1969343-6](#) [C501100010](#) [C501106002](#) [C501106007](#)
[C501106015](#) [C501106025](#) [C601102010](#) [C601104010](#) [C601106007](#) [C601106015](#) [2142758-2](#) [2168427-2](#) [CAT1106007](#) [SR02P0-26E5-15.0](#)
[SR02S0-26E5-15.0](#) [21949-1](#) [2J1866A](#) [RJF SFTP 5E 0500](#) [AX100351](#) [MN14CEC/ST](#) [C501100015](#) [C501106004](#) [C501106010](#) [C5F1108007](#)
[C601104004](#) [C601106004](#) [CA21106004](#) [CA21106010](#)