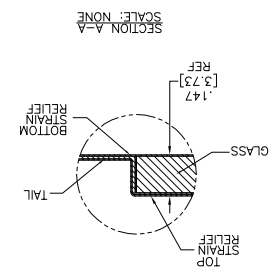
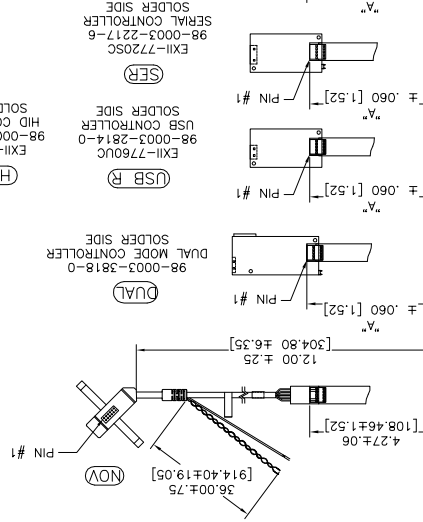


OGA DIAGONAL: 23.09 [586.4]
 VA DIAGONAL: 22.37 [568.2]
 PA DIAGONAL: 21.08 [535.5]

TOP LEVEL NUMBER	US NUMBER	TYPE	DM "A" (TOTAL GLASS TO CONNECTOR)	A/G FINISH	PROD SPEC
17-9311-205	98-0003-2209-3	FFC	8.00" [203.20]	AG500	23655
17-9311-206	98-0003-2731-6	NOV	SEE DWG	AG500	23655
17-9311-227	98-0003-2734-0	SER	8.00" [203.20]	AG500	23655
17-9311-226	98-0003-3052-6	USB R	8.00" [203.20]	AG500	23655
N/A	98-0003-3662-3	HID D	8.00" [203.20]	AG500	23655
N/A	98-0003-3420-5	FFC	8.00" [203.20]	WC100	34523
N/A	98-0003-3418-9	SER	8.00" [203.20]	WC100	34523
N/A	98-0003-3419-7	USB R	8.00" [203.20]	WC100	34523
N/A	98-0003-3975-8	DUAL	8.00" [203.20]	AG500	23655

ESD CLAMPSHELL
 CASE IS USED WITH
 ALL NOV, USB AND
 SER TERMINATIONS.

PINOUT

1	UL
2	UR
3	SHLD
4	LR
5	LL

3M TIGHT SYSTEMS
 METHUEN, MA USA
 © COPYRIGHT 2004
 THIS DOCUMENT IS COPYRIGHTED PROPERTY OF THE
 COMPANY AND MAY NOT BE REPRODUCED
 WITHOUT THE WRITTEN PERMISSION OR USED FOR
 PURPOSES OTHER THAN 3M AUTHORIZED
 PURPOSES.



REV	DATE	DMW
K	4/13	SB
J	1/12	SB
H	10/11	SB

CHANGE NOTICE

REV	DATE	DMW
K	4/13	SB
J	1/12	SB
H	10/11	SB

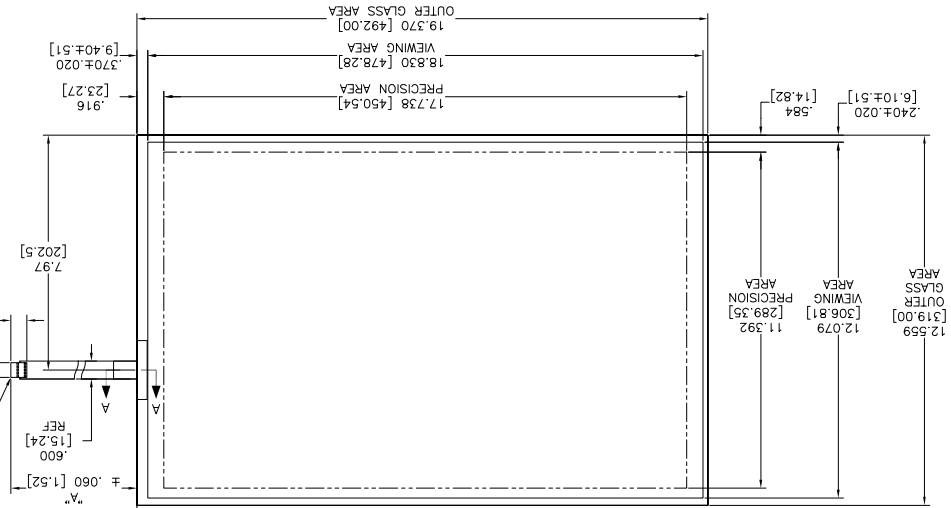
MARKETING DRAWING
 SCT32NN 22.37" W

34079-MKT
 AUTOCAD
 1 OF 1

DO NOT SCALE DRAWING
 SCALE: 1 = 1

3

TOTAL THICKNESS
 OF GLASS, CABLE
 AND STRAIN RELIEF
 :1.72±.020 [3.73±.51]



- NOTES:
1. WEIGHT OF GLASS IN GRAMS: 1196±10%
 2. NICOMATIC HOUSING P/N: CLOS
 3. NICOMATIC RECEPTACLES (PINS) MATTE TIN PLATED P/N: 14106-12
 4. HOUSING ORIENTED WITH LATCH DOWN

X-ON Electronics

Largest Supplier of Electrical and Electronic Components

Click to view similar products for [LCD Touch Panels](#) category:

Click to view products by [3M](#) manufacturer:

Other Similar products are found below :

[69-502](#) [87-6001-221](#) [CABLE/RTP/USB](#) [98-0003-2211-9](#) [17-8041-226](#) [17-8041-227](#) [CABLE/RTP/RS232](#) [N010-0557-T011](#) [87-4011-201](#)
[N010-0554-T352](#) [N010-0554-T504](#) [LCDAL04-0430TL0NCNTBR1.0](#) [FTAS00-8.4AS-4A](#) [FTAS00-10.6AW-4A](#) [FTAS00-5.7AS-4A](#)
[FTAS00-15.6AW-4A](#) [FTAS00-10.4AS-4A](#) [FTAS00-12.1AN-4A](#) [TP01150A-4KB](#) [TP01121W-4KB](#) [TP01104A-4KB](#) [N010-0554-T814](#)
[TP01121A-4KB](#) [TP01106W-4KB](#) [FTAS00-12.1AN-4](#) [98000334502](#) [FTAS00-12.1AW-4](#) [FTAS00-10.6AW-4](#) [TKU016CT-A100](#) [FTAS00-](#)
[19AN-4](#) [FTAS00-15AN-4](#) [FTAS00-15.6AW-4](#) [FTAS00-12.1AW-4A](#) [17-8041-205](#) [98-0003-2514-6](#) [98-0003-2549-2](#) [98-0003-2602-9](#) [98-](#)
[0003-2678-9](#) [17-8031-205](#) [17-8051-205](#) [17-8091-203](#) [17-8421-205](#) [17-8441-205](#) [17-8441-217](#) [17-8541-226](#) [17-8571-203](#) [17-8581-203](#) [17-](#)
[8891-205](#) [17-8901-226](#) [17-9681-226](#)