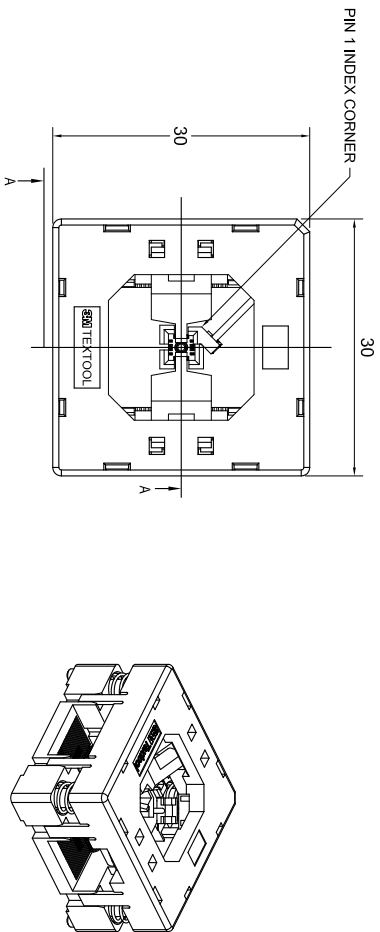


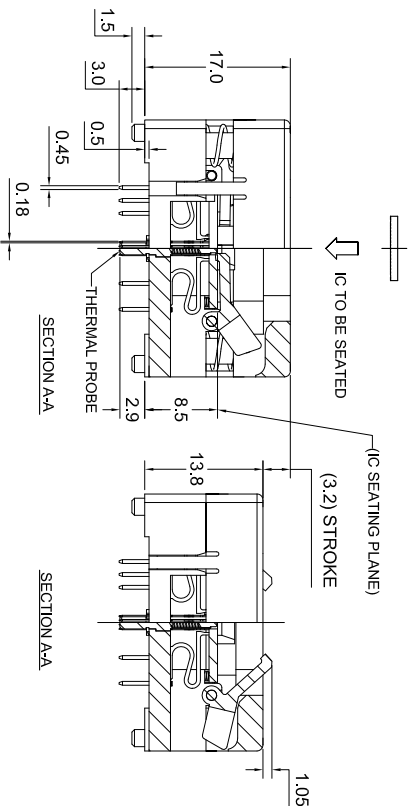
# 3M™ TEXTOL™ QFN TEST AND BURN-IN SOCKET



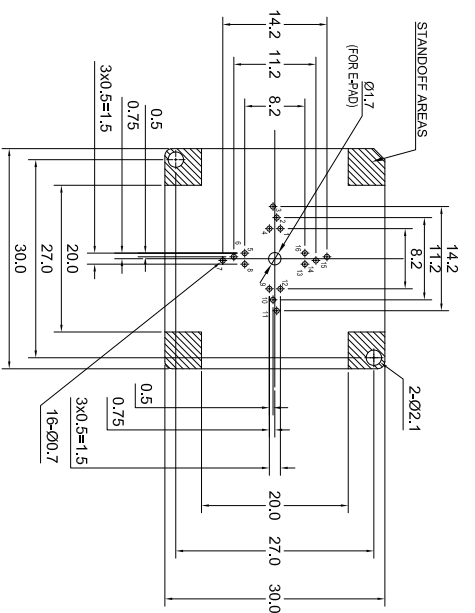
## NOTES:

1. MATERIALS:
 

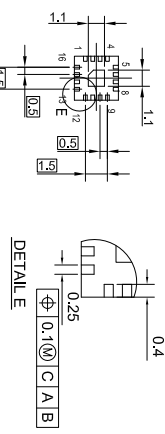
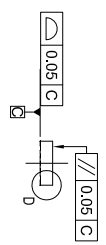
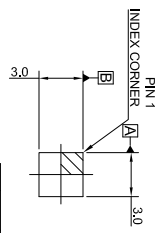
SPRINGS	SS	PLATING : Au
CONTACTS	Be Cu	COLOR : BLACK
IC GUIDES	PES	COLOR : BLACK
PRESSURE PAD	PES	COLOR : BLACK
COVER	PPS or equiv.	COLOR : BLACK
BASE	PES	COLOR : BLACK
2. SEE THE REGULATORY INFORMATION APPENDIX (RIA) IN THE "ROHS COMPLIANCE" SECTION [WWW.3MCONNECTOR.COM](http://WWW.3MCONNECTOR.COM) FOR COMPLIANCE INFORMATION (RIA E1 & C1 APPLY).
3. FOR PRODUCT SPECIFICATIONS AND WARRANTY INFORMATION SEE: [WWW.3MCONNECTOR.COM](http://WWW.3MCONNECTOR.COM) PN 216-5205-01



DESIGN REFERENCE	NEXT ASSEMBLY	DATE	BY	CHKD	DATE	BY	CHKD
ECO	L SCHMIDT	4/2/12	MSB				
ISSUE DATE AND DESCRIPTION	DATE	DATE	DATE	DATE	DATE	DATE	DATE
3M COPY/RIGHT © 2012	This document and its contents are the property of the 3M Company and may not be reproduced without 3M written permission or used for other than 3M authorized purposes.						
3M Center St. Paul MN 55144	<b>QFN TEST SOCKET 0.5mm 16 POS, EVEN ROW, 3X3 PKG WITH TP</b>						
CAGE NUMBER	78-5100-2518-8	DRAWING NO.		78-5100-2518-8		REV.	A
SIZE	TEXTOL - QFN	DEF.	LISTS	YES	NO	SHT	1 OF 2

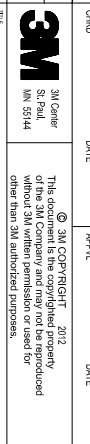


FOOTPRINT AS VIEWED LOOKING DOWN FROM TOP OF SOCKET



RECOMMENDED IC (REF.)

DESIGN REFERENCE	NEXT ASSEMBLY	REV	ECO	ISSUE DATE AND DESCRIPTION	DRAWN	CHKD
DESIGN CODE		DFT	L SCHMIDT	DATE 4/2/12	MFG	
DIVISION		CHKD		DATE	APPVL	
DO NOT SCALE DRAWING	SCALE 5	DIVISION CODE		TOLERANCES EXCEPT AS NOTED		
				INCHES .1		
				MILLIMETERS .02		
				THIRD ANGLE PROJECTION		
				PREPARED PER ASME Y14.5-1994		
				MAX SURFACE ROUGHNESS		
				CALL SURFACES		
				125		
				UNMARKED ONLY		
				ANGLES		
TITLE		CASE NUMBER	SHEET	DRAWING NO.	DEF	REV
QFN TEST SOCKET 0.5mm		78-5100-2518-8	2	78-5100-2518-8	YES	A
16 POS, EVEN ROW, 3X3 PKG		TEXT/TOOL - QFN	1		NO	
			2		NO	
			OF		NO	
			2		NO	



## X-ON Electronics

Largest Supplier of Electrical and Electronic Components

*Click to view similar products for [IC & Component Sockets](#) category:*

*Click to view products by [3M](#) manufacturer:*

Other Similar products are found below :

[0066-3-17-15-30-14-02-0](#) [670](#) [672](#) [673](#) [712-93-120-41-001000](#) [714-93-104-31-018000](#) [8059-4G1-LF](#) [807-22-001-10-001101](#) [807-22-001-10-006101](#) [807-22-001-30-011101](#) [807-22-001-30-012101](#) [807-22-001-30-013101](#) [807-22-001-30-014101](#) [8-1437531-4](#) [8150-6P10](#) [833-93-034-10-001000](#) [851-41-006-10-001000](#) [851-43-008-20-001000](#) [851-43-014-20-001000](#) [851-93-006-20-001000](#) [851-93-010-20-001000](#) [853-43-020-10-001000](#) [86.010.0053.0](#) [116-43-308-41-007000](#) [PX-68LCC](#) [121-13-318-41-001000](#) [121-13-320-41-001000](#) [121-13-308-41-001000](#) [123-43-314-41-801000](#) [123-43-420-41-001000](#) [123-87-320-41-001101](#) [122-13-316-41-001000](#) [123-13-624-41-001000](#) [123-43-306-41-001000](#) [12-3513-11](#) [123-91-320-41-001000](#) [126-43-310-41-002000](#) [AKSUN 37V-T](#) [1437503-9](#) [1437504-1](#) [146-44-308-41-013000](#) [APO-320-G-T](#) [146-43-308-41-012000](#) [160-10-308-00-001000](#) [160-40-320-00-001000](#) [214-99-306-01-670800](#) [232-1270-02-0602](#) [2-382761-4](#) [2-5331677-4](#) [2-640360-3](#)