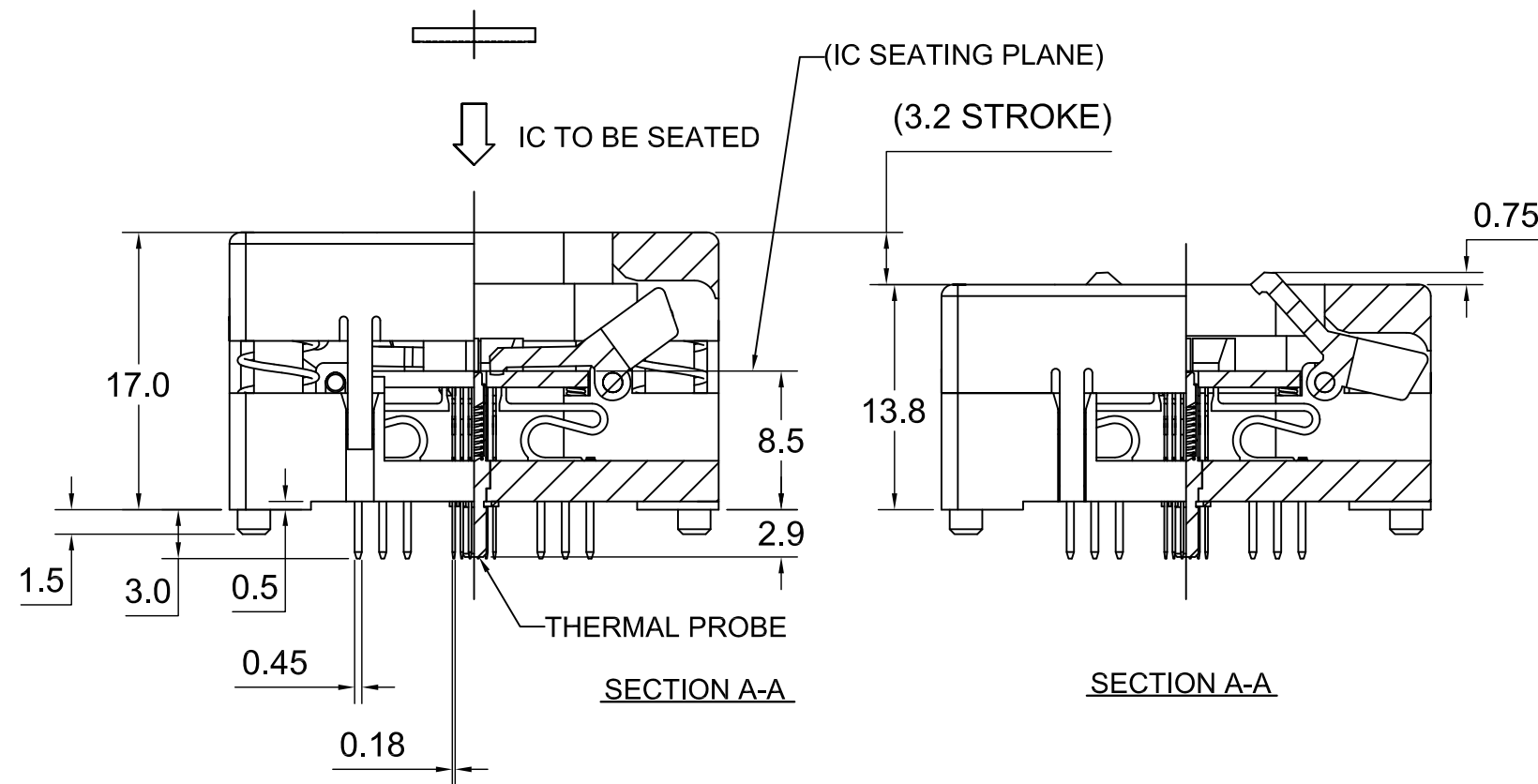
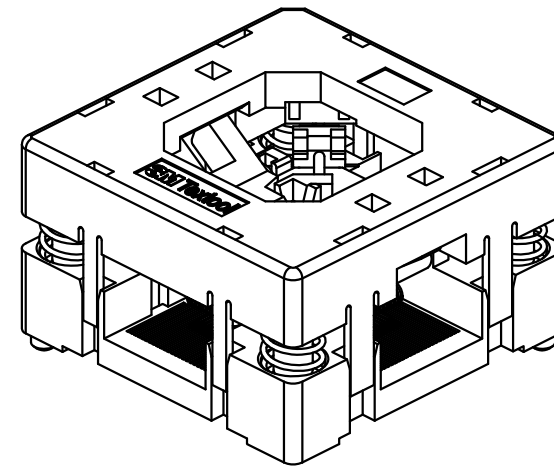
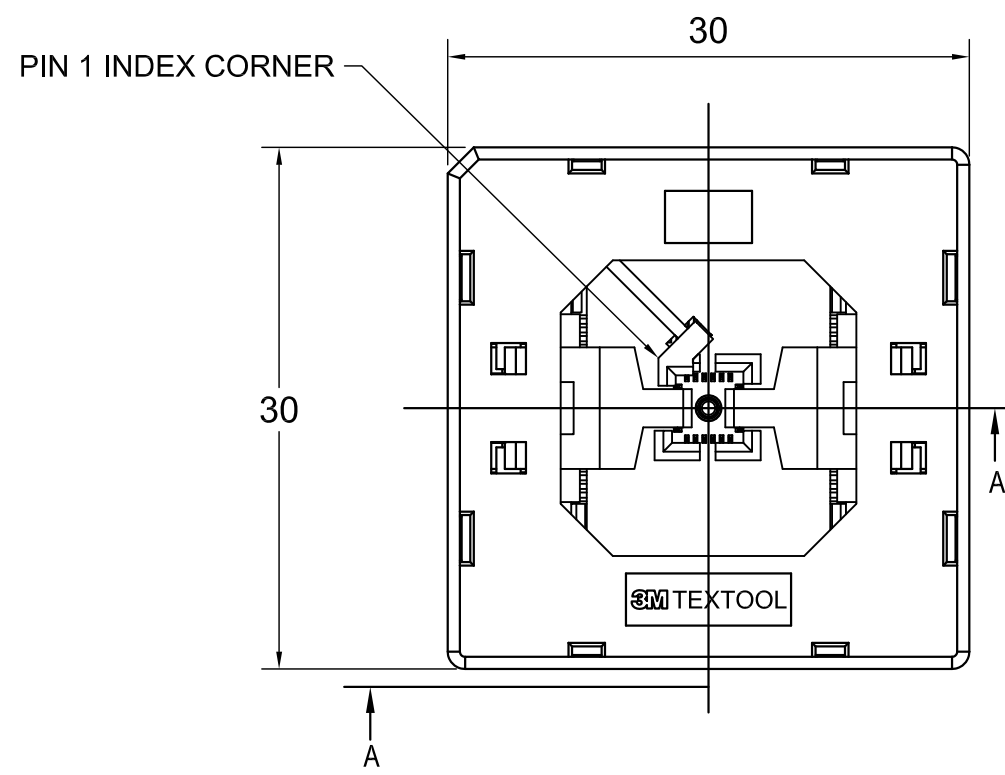


3M™ TEXTTOOL™ QFN TEST AND BURN-IN SOCKET



NOTES:

1. MATERIALS:

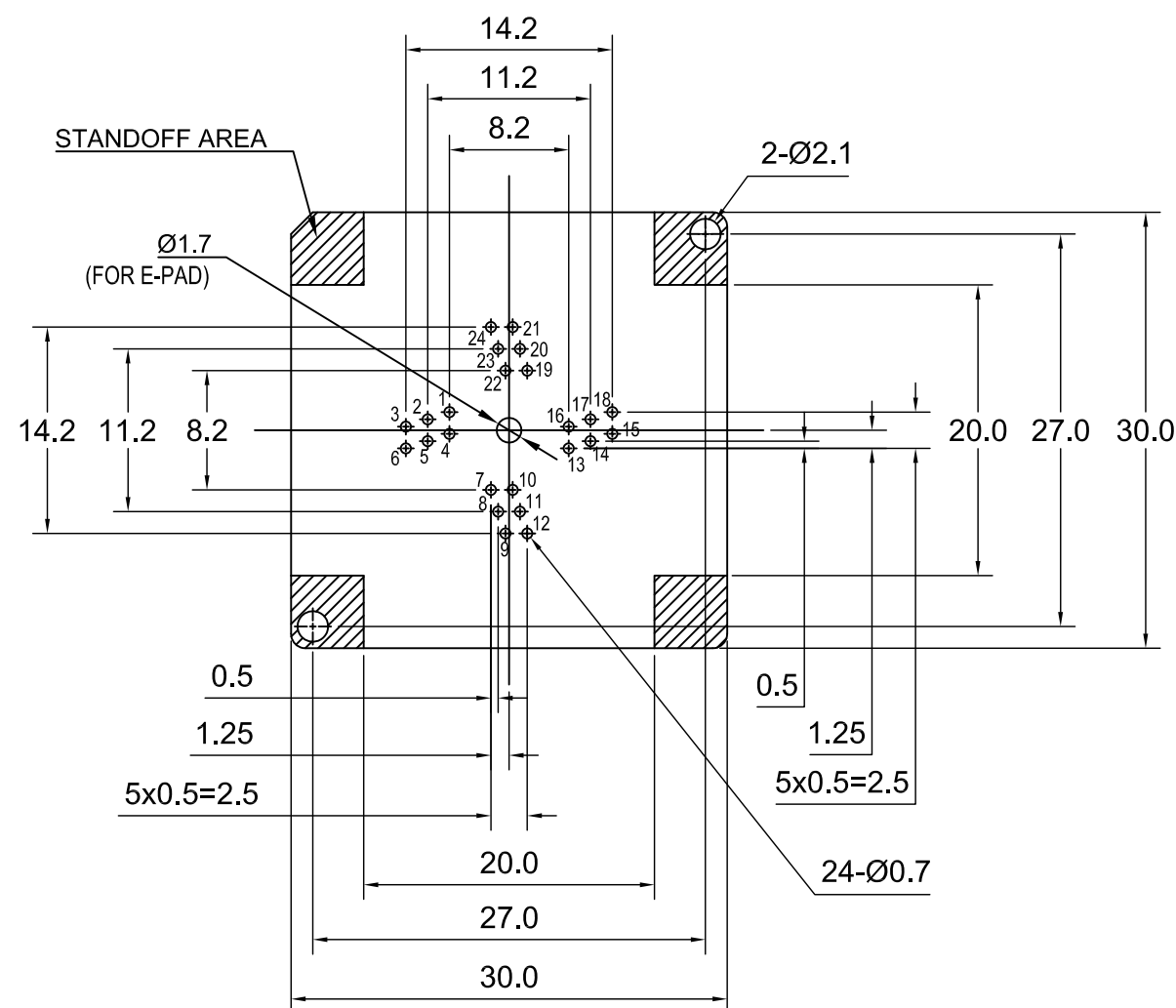
SPRINGS	SS	PLATING : Au
CONTACTS	Be Cu	COLOR : BLACK
IC GUIDES	PES	COLOR : BLACK
PRESSURE PAD	PES	COLOR : BLACK
COVER	PPS or equiv.	COLOR : BLACK
BASE	PES	COLOR : BLACK

2. SEE THE REGULATORY INFORMATION APPENDIX (RIA) IN THE "RoHS COMPLIANCE" SECTION WWW.3MCONNECTOR.COM FOR COMPLIANCE INFORMATION (RIA E1 & C1 APPLY).

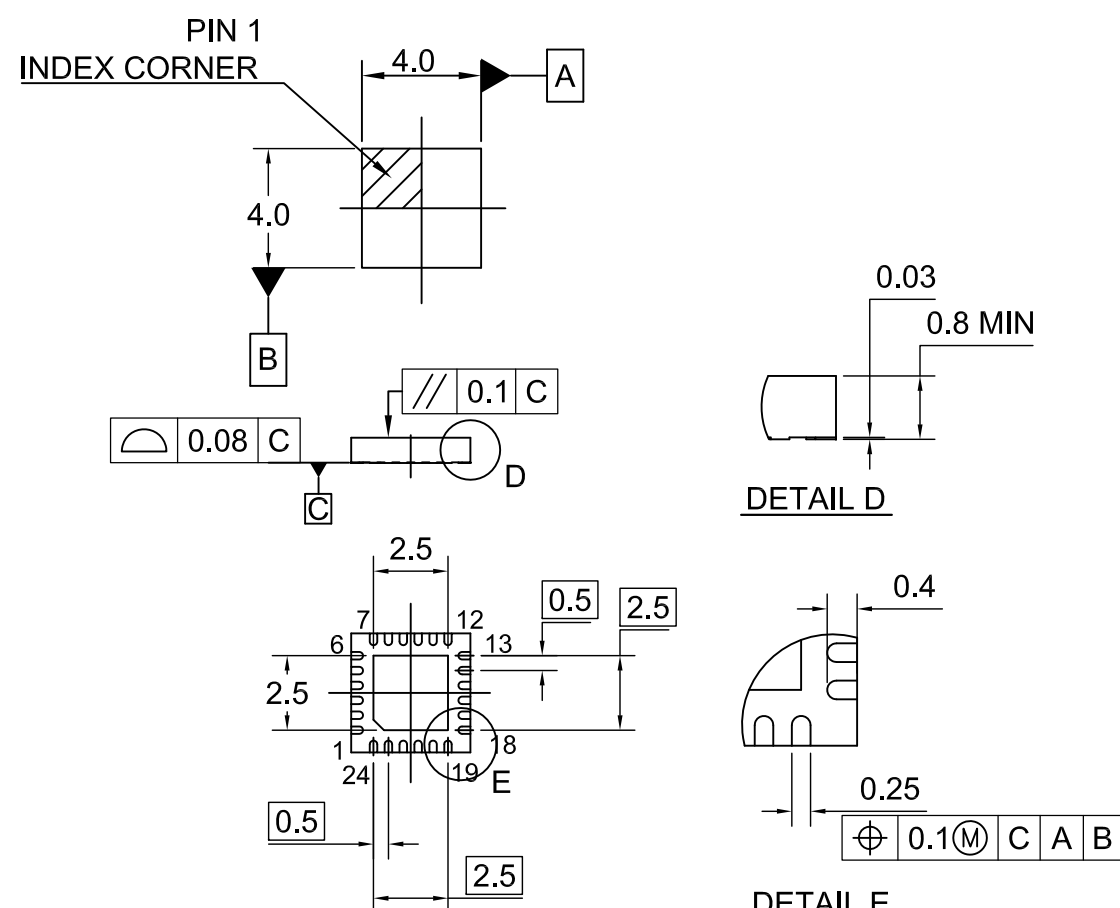
3. FOR PRODUCT SPECIFICATIONS AND WARRANTY INFORMATION SEE:

WWW.3MCONNECTOR.COM PN 224-5205-01

DESIGN REFERENCE		NEXT ASSEMBLY		REV	ECO	ISSUE DATE AND DESCRIPTION		DRFT	CHKD
DISTRIBUTION CODES				DRFT	L SCHMIDT		DATE 4/2/12	MFG	DATE
				CHKD			DATE	APPVL	DATE
DIVISION		DIVISION CODE		A		39923		INITIAL RELEASE	
DO NOT SCALE DRAWING		SCALE	TOLERANCES EXCEPT AS NOTED	3M		3M Center St. Paul, MN 55144		© 3M COPYRIGHT 2012 This document is the copyrighted property of the 3M Company and may not be reproduced without 3M written permission or used for other than 3M authorized purposes.	
		5	INCHES	TITLE		QFN TEST SOCKET 0.5mm 24 POS, EVEN ROW, 4X4 PKG WITH TP			
		1	.0 ± .1 .00 ± .02 .000 ± .005 .0000 ± .0002	CAGE NUMBER		SIZE		DRAWING NO.	
THIRD ANGLE PROJECTION		INTERPRET PER ASME Y14.5 - 1994	MILLIMETERS	C		8		78-5100-2519-6	
MAX SURFACE ROUGHNESS		125	0 ± .0 .00 ± .000	MODEL		TEXTTOOL - QFN		REV. A	
125		<input type="checkbox"/> ALL SURFACES <input checked="" type="checkbox"/> MARKED ONLY	ANGLES ± 1°	DET. LISTS		<input type="checkbox"/> YES <input checked="" type="checkbox"/> NO		SHT 1 OF 2	



FOOTPRINT AS VIEWED LOOKING DOWN FROM TOP OF SOCKET



RECOMMENDED IC (REF.)

DESIGN REFERENCE		NEXT ASSEMBLY		REV	ECO	ISSUE DATE AND DESCRIPTION		DRFT	CHKD
DISTRIBUTION CODES				L SCHMIDT		DATE	4/2/12	MFG	DATE
				CHKD		DATE		APPVL	DATE
DIVISION		DIVISION CODE		 3M Center St. Paul, MN 55144		© 3M COPYRIGHT 2012 This document is the copyrighted property of the 3M Company and may not be reproduced without 3M written permission or used for other than 3M authorized purposes.			
DO NOT SCALE DRAWING		SCALE 5 1				TOLERANCES EXCEPT AS NOTED		TITLE QFN TEST SOCKET 0.5mm 24 POS, EVEN ROW, 4X4 PKG WITH TP	
THIRD ANGLE PROJECTION		INTERPRET PER ASME Y14.5 - 1994		INCHES .0 ± .1 .00 ± .02 .000 ± .005 .0000 ± .0002		MILLIMETERS 0 ± .1 .00 ± .02 .000 ± .002			
MAX SURFACE ROUGHNESS		125 <input type="checkbox"/> ALL SURFACES <input checked="" type="checkbox"/> MARKED ONLY		ANGLES ± 1°		CAGE NUMBER	SIZE	DRAWING NO.	REV.
						C	C	78-5100-2519-6	A
				MODEL		TEXTTOOL - QFN		DET. LISTS	<input type="checkbox"/> YES <input checked="" type="checkbox"/> NO
						SHT		2 OF 2	

X-ON Electronics

Largest Supplier of Electrical and Electronic Components

Click to view similar products for [IC & Component Sockets](#) category:

Click to view products by [3M](#) manufacturer:

Other Similar products are found below :

[0066-3-17-15-30-14-02-0](#) [670](#) [672](#) [673](#) [712-93-120-41-001000](#) [714-93-104-31-018000](#) [8059-4G1-LF](#) [807-22-001-10-001101](#) [807-22-001-10-006101](#) [807-22-001-30-011101](#) [807-22-001-30-012101](#) [807-22-001-30-013101](#) [807-22-001-30-014101](#) [8-1437531-4](#) [8150-6P10](#) [833-93-034-10-001000](#) [851-41-006-10-001000](#) [851-43-008-20-001000](#) [851-43-014-20-001000](#) [851-93-006-20-001000](#) [851-93-010-20-001000](#) [853-43-020-10-001000](#) [86.010.0053.0](#) [116-43-308-41-007000](#) [PX-68LCC](#) [121-13-318-41-001000](#) [121-13-320-41-001000](#) [121-13-308-41-001000](#) [123-43-314-41-801000](#) [123-43-420-41-001000](#) [123-87-320-41-001101](#) [122-13-316-41-001000](#) [123-13-624-41-001000](#) [123-43-306-41-001000](#) [12-3513-11](#) [123-91-320-41-001000](#) [126-43-310-41-002000](#) [AKSUN 37V-T](#) [1437503-9](#) [1437504-1](#) [146-44-308-41-013000](#) [APO-320-G-T](#) [146-43-308-41-012000](#) [160-10-308-00-001000](#) [160-40-320-00-001000](#) [214-99-306-01-670800](#) [232-1270-02-0602](#) [2-382761-4](#) [2-5331677-4](#) [2-640360-3](#)