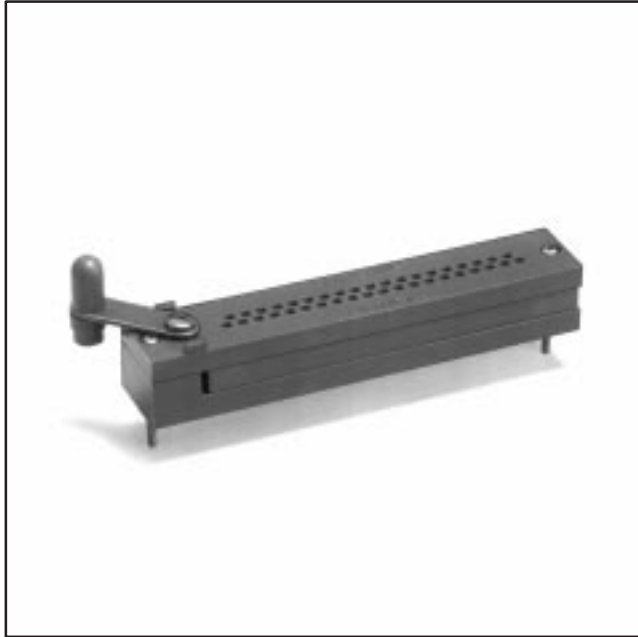


# .050" (1.27 mm) x .075" (1.90 mm) Staggered ZIP Strip Sockets



- For devices with .050" (1.27 mm) lead centers formed in staggered rows with .100" (2.54 mm) between centers (in same rows) and .075" (1.90 mm) between rows
- Frequently used in pairs to handle devices with staggered leads on opposite sides of the package
- Order left and right hand strips to obtain a complete pair
- Lever actuated zero insertion force mechanism

Date Issued: February 20, 2001

TS-0453-09  
Sheet 1 of 2

23

---

## Physical

### Insulation

Material: Glass Filled Polysulfone  
Flammability: UL 94V-0  
Color: Green

**Marking:** 3M Logo & Part Identification

### Contact

Material: Beryllium Copper  
Plating: 30  $\mu$ " (0.76  $\mu$ m) Gold over 50  $\mu$ " (1.3  $\mu$ m) Nickel

---

## Electrical

**Current Rating:** 1 Amp  
**Insulation Resistance:**  $> 1 \times 10^9 \Omega$  at 500 Vdc  
**Withstanding Voltage:** 1000 Vrms at Sea Level

---

## Environmental

**Operating Temperature Rating:** - 55° C to +150°C

---

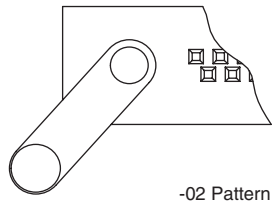
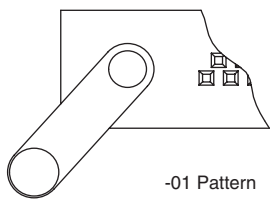
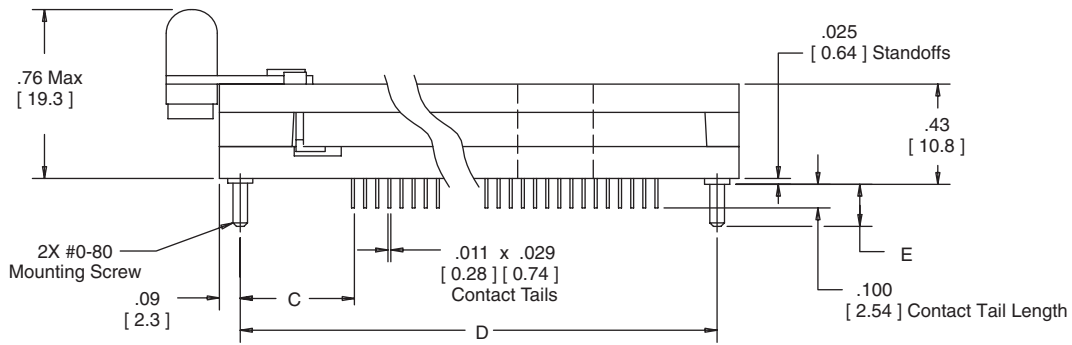
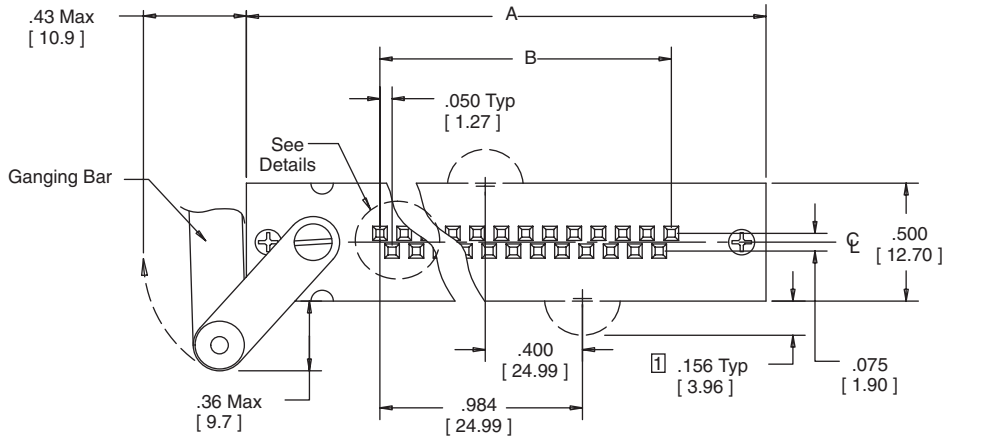
### 3M Electronic Handling and Protection Division

6801 River Place Blvd.  
Austin, TX 78726-9000

For technical, sales or ordering information call **800-328-0411**  
or visit our website: <http://www.3M.com/ehpd>

# .050" (1.27 mm) x .075" (1.90 mm) Staggered ZIP Strip Sockets

Contact Quantity	Dimensions				
	A	B	C	D	E
39	2.77 [ 70.3 ]	1.900 [ 48.26 ]	.460 [ 11.68 ]	2.59 [ 65.8 ]	.20 [ 5.1 ]
55	4.00 [ 101.6 ]	2.700 [ 68.58 ]	.677 [ 17.20 ]	3.80 [ 96.5 ]	.23 [ 5.8 ]



Dimension	Tolerance	
	inch	mm
	.00 (.0)	.000 (.00)
	± .010 (± .25)	± .005 (± .13)

Notes:  
 [1] Stabilizing ears are present only on the 55 position.

## Ordering Information

Socket Part Number	Contact Quantity
239-5605-01-0602	39
239-5605-02-0602	
255-7322-01-0602	55
255-7322-02-0602	

## X-ON Electronics

Largest Supplier of Electrical and Electronic Components

*Click to view similar products for [IC & Component Sockets](#) category:*

*Click to view products by [3M](#) manufacturer:*

Other Similar products are found below :

[0066-3-17-15-30-14-02-0](#) [670](#) [672](#) [673](#) [712-93-120-41-001000](#) [714-93-104-31-018000](#) [8059-4G1-LF](#) [807-22-001-10-001101](#) [807-22-001-10-006101](#) [807-22-001-30-011101](#) [807-22-001-30-012101](#) [807-22-001-30-013101](#) [807-22-001-30-014101](#) [8-1437531-4](#) [8150-6P10](#) [833-93-034-10-001000](#) [851-41-006-10-001000](#) [851-43-008-20-001000](#) [851-43-014-20-001000](#) [851-93-006-20-001000](#) [851-93-010-20-001000](#) [853-43-020-10-001000](#) [86.010.0053.0](#) [116-43-308-41-007000](#) [PX-68LCC](#) [121-13-318-41-001000](#) [121-13-320-41-001000](#) [121-13-308-41-001000](#) [123-43-314-41-801000](#) [123-43-420-41-001000](#) [123-87-320-41-001101](#) [122-13-316-41-001000](#) [123-13-624-41-001000](#) [123-43-306-41-001000](#) [12-3513-11](#) [123-91-320-41-001000](#) [126-43-310-41-002000](#) [AKSUN 37V-T](#) [1437503-9](#) [1437504-1](#) [146-44-308-41-013000](#) [APO-320-G-T](#) [146-43-308-41-012000](#) [160-10-308-00-001000](#) [160-40-320-00-001000](#) [214-99-306-01-670800](#) [232-1270-02-0602](#) [2-382761-4](#) [2-5331677-4](#) [2-640360-3](#)