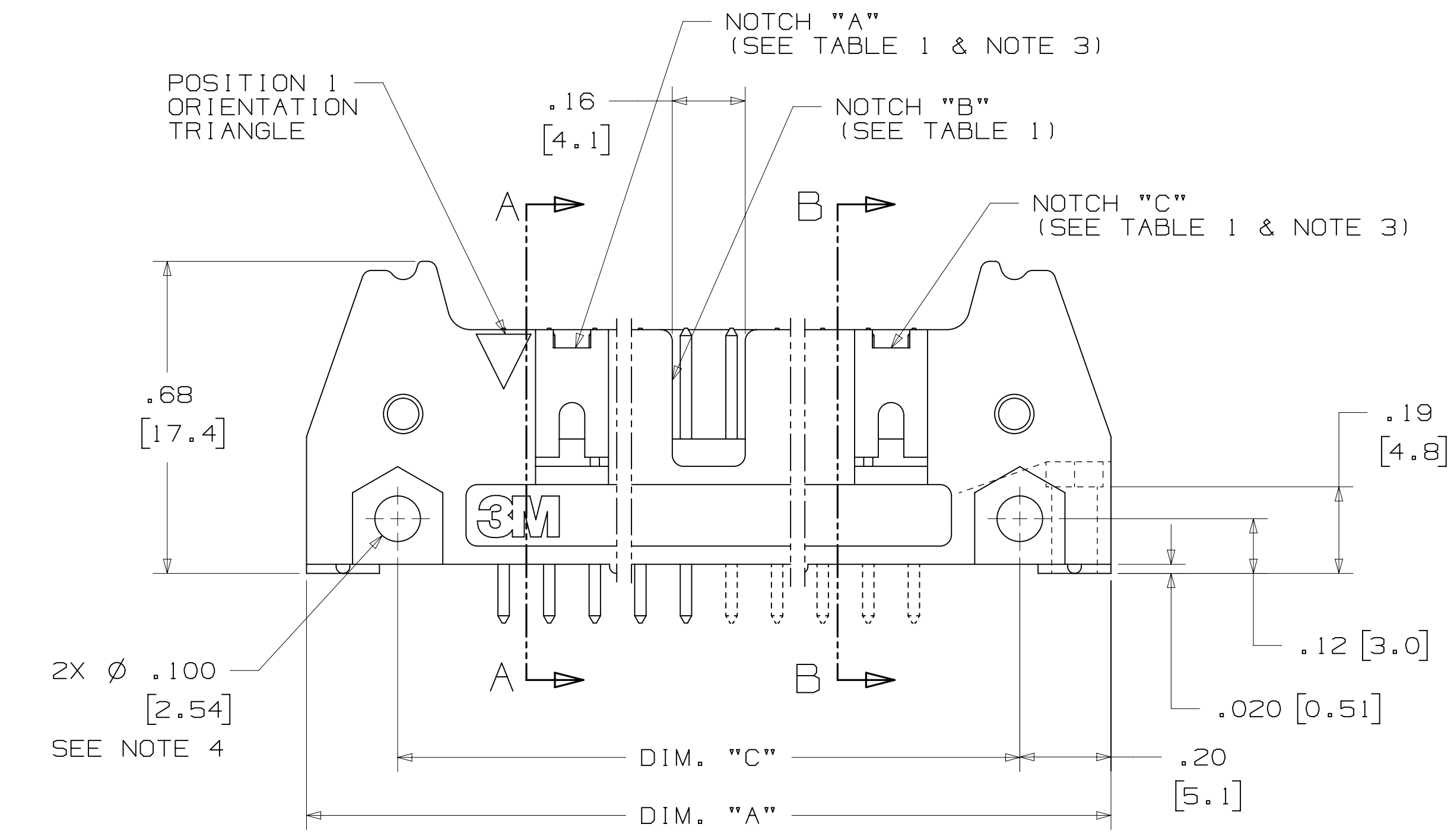
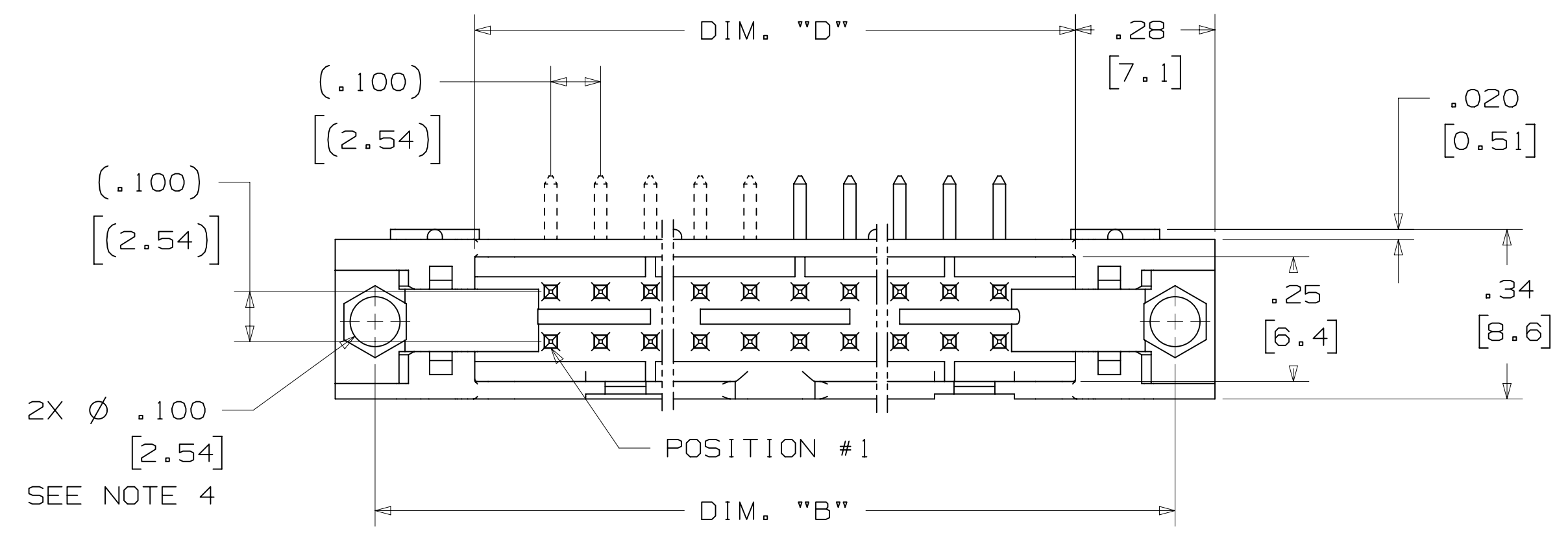
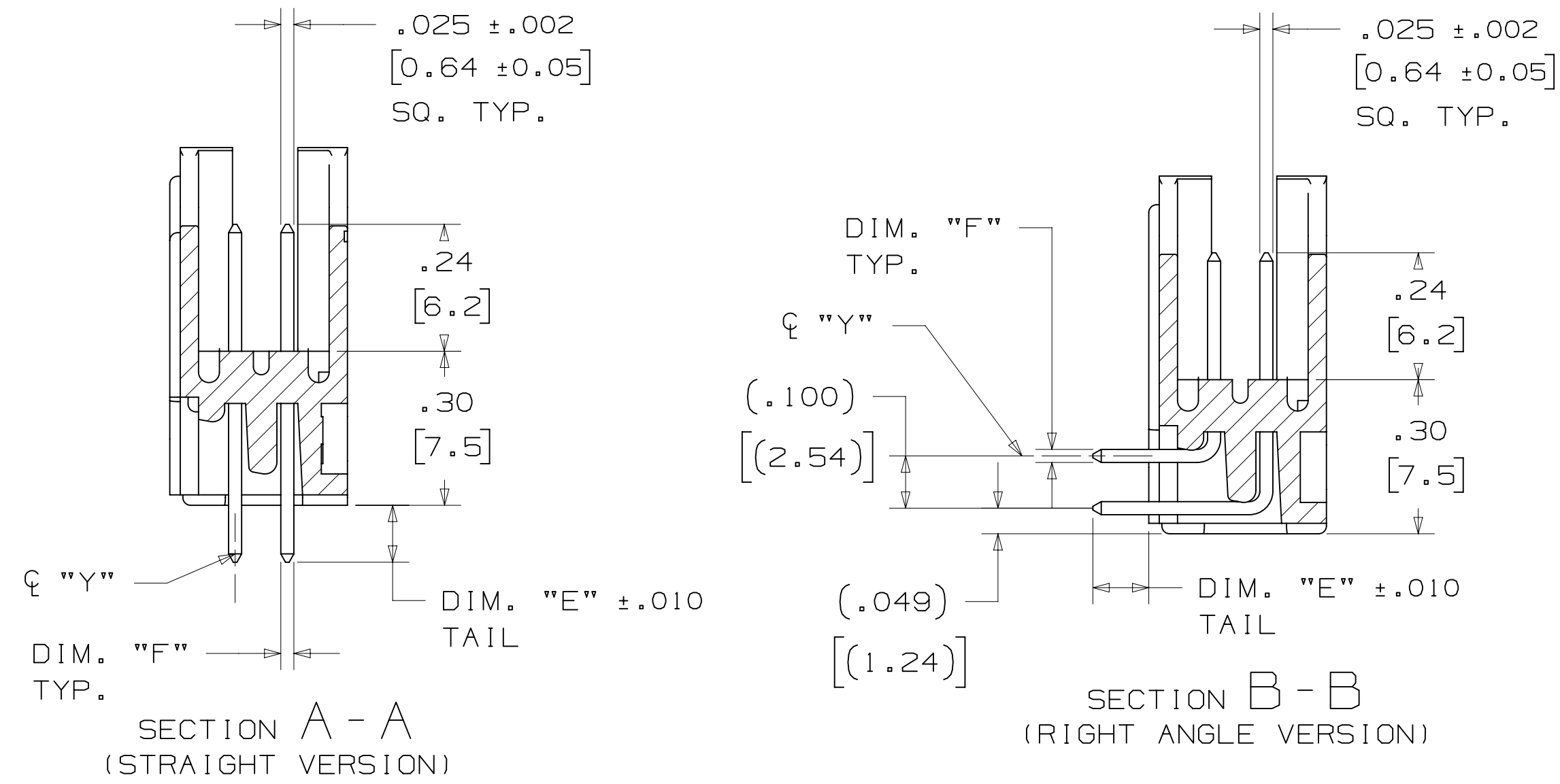


3M™ FOUR-WALL HEADER, 3000 SERIES
 .100" X .100" LATCH/EJECTOR, STRAIGHT AND RIGHT ANGLE



PIN QTY.	3M PART NUMBER	DIM. "A"	DIM. "B"	DIM. "C"	DIM. "D"	POLARIZING NOTCHES	PIN QTY.
06	3869	1.06 [27.0]	.905 [22.99]	.665 [16.89]	.51 [12.9]	B*	06
08	3889	1.16 [29.5]	1.005 [25.53]	.765 [19.43]	.61 [15.5]	B*	08
10	3793	1.26 [32.1]	1.105 [28.04]	.865 [21.97]	.71 [18.0]	BC	10
14	3314	1.46 [37.2]	1.305 [33.12]	1.065 [27.05]	.91 [23.1]	BC	14
16	3408	1.56 [39.7]	1.405 [35.66]	1.165 [29.59]	1.01 [25.6]	ABC	16
20	3428	1.76 [44.8]	1.604 [40.74]	1.365 [34.67]	1.21 [30.7]	ABC	20
24	3627	1.96 [49.9]	1.805 [45.82]	1.565 [39.75]	1.41 [35.8]	ABC	24
26	3429	2.06 [52.4]	1.905 [48.36]	1.665 [42.29]	1.51 [38.3]	ABC	26
30	3440	2.26 [57.5]	2.105 [53.44]	1.865 [47.37]	1.71 [43.4]	ABC	30
34	3431	2.46 [62.6]	2.305 [58.52]	2.065 [52.45]	1.91 [48.5]	ABC	34
40	3432	2.76 [70.2]	2.605 [66.14]	2.365 [60.07]	2.21 [56.1]	ABC	40
50	3433	3.26 [82.9]	3.105 [78.84]	2.865 [72.77]	2.71 [68.8]	ABC	50
60	3372	3.76 [95.6]	3.605 [91.54]	3.365 [85.47]	3.21 [81.5]	ABC	60
64	3764	3.96 [100.7]	3.805 [96.62]	3.565 [90.55]	3.41 [86.6]	ABC	64

* AVAILABLE WITHOUT CENTER NOTCH B. CONTACT 3M

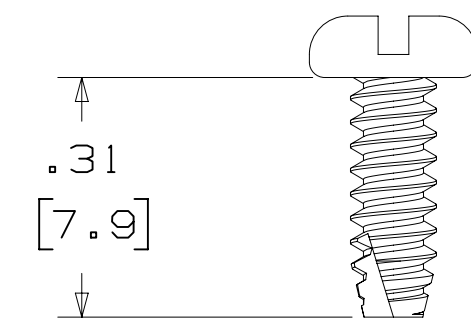
3M PART NUMBER SUFFIX	CONTACT TAIL	DIM. "E"	PIN CROSS SECTION			DIM. "G"
			DIM. "F"	DIAGONALS	CORNER RADIUS	
-5XX2	.062 [1.57] THICK PC BOARD	.112 [2.84]	.0245+/- .0005 [.622]	.028+/- .001 [.71]	.0075 [.191] REF.	.035+/- .003 [.89] SEE NOTE 5
-6XX2						
-5X03	.094 [2.39] TO .125 [3.18] THICK PC BOARD	.155 [3.94]	.0245+/- .0005 [.622]	.028+/- .001 [.71]	.0075 [.191] REF.	.035+/- .003 [.89]
-6X03						
-5X05	WIRE WRAP TAIL FOR UP TO 3 LEVELS OF WIRE WRAP	.61 [15.5] REF.	.0250+/- .002 [.635]	.035+/- .003 [.89]	.003 [.08] MAX.	.045+/- .003 [1.14]

DESIGN REFERENCE	NEXT ASSEMBLY	REV	ECO	ISSUE DATE AND DESCRIPTION	DRFT	CHKD
		CASTIGLIONE		JUL 25, 2014		
DIVISION	DIVISION CODE	DATE	DATE	DATE	DATE	DATE
Interconnect Solutions	EMSD					
DO NOT SCALE DRAWING	SCALE 4/1	TOLERANCES EXCEPT AS NOTED				
THIRD ANGLE PROJECTION		INCHES	© 3M COPYR[IGHT] 2016 This document and the information it contains are 3M property and may not be reproduced or further distributed without 3M permission, or used or disclosed other than for 3M authorized purposes. All rights reserved.			
INTERPRET PER ASME Y14.5 - 2009		MILLIMETERS	TITLE HEADER, 4-WALL, .100 X .100 LATCH/EJECTOR, STRAIGHT & RA			
MAX SURFACE ROUGHNESS		0 ±	CAGE NUMBER D 78-5100-0772-3 T			
MARKED ONLY		.00 ± .01 .000 ± .005 .0000 ±	MODEL 3000 SERIES			
		.0 ± .3 .00 ± .13 .000 ±	DET [] YES [X] NO [] SHT 2 OF 4			

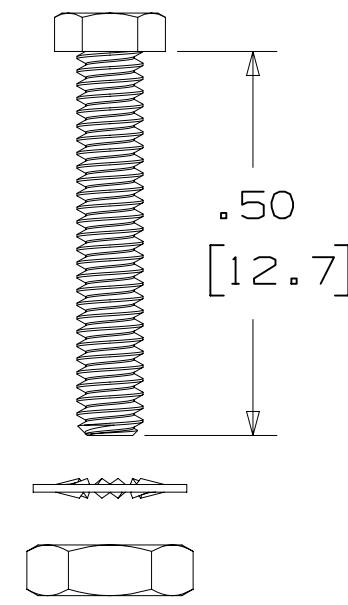
78-5100-0772-3
 REV. 1
 DATE 05/2014
 AM UTC-05:00
 7/12/2016 8:14

3M™ FOUR-WALL HEADER, 3000 SERIES
 .100" X .100" LATCH/EJECTOR, STRAIGHT AND RIGHT ANGLE

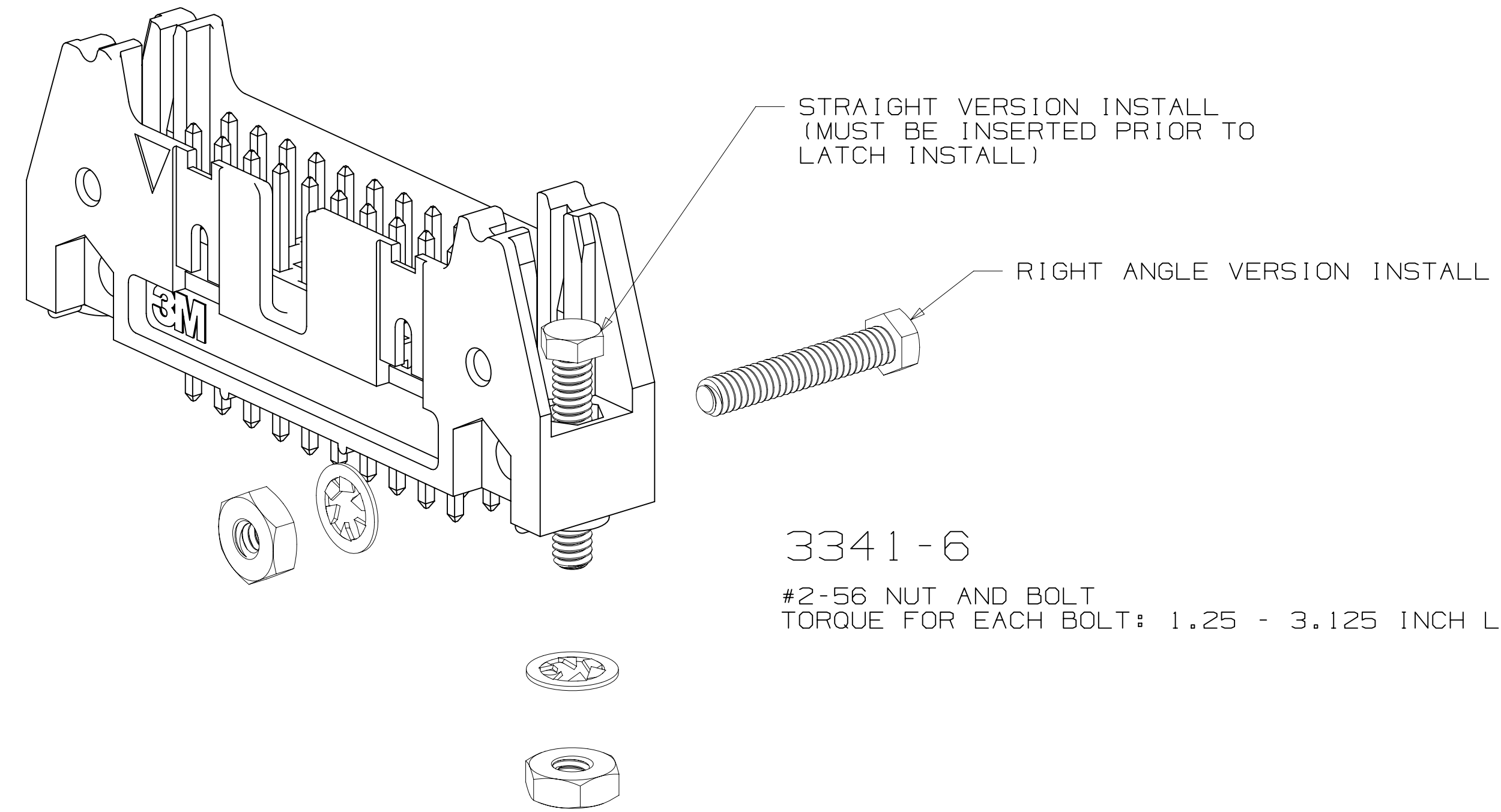
MOUNTING HARDWARE



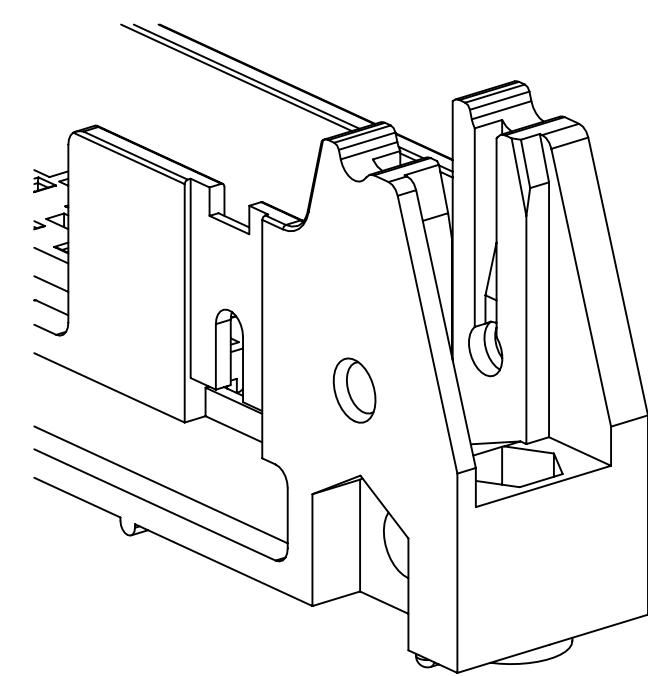
3341-5
 (INSTALL FROM BOTTOM OF BOARD)
 PANHEAD THREAD CUTTING SCREW:
 #4-24 X 5/16"
 TYPE: USA STD BT, FEDERAL BG
 MATERIAL: STAINLESS STEEL



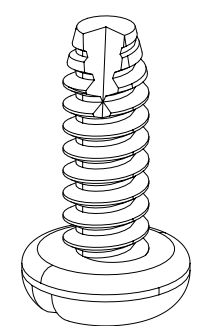
3341-6
 HEX HEAD BOLT, NUT AND WASHER:
 BOLT - #2-56 X 1/2"
 MATERIAL: STAINLESS STEEL



3341-6
 #2-56 NUT AND BOLT
 TORQUE FOR EACH BOLT: 1.25 - 3.125 INCH LBS.



#4-24 TYPE BT SELF THREADING SCREW
 WHEN USING LATCHES, MAXIMUM LENGTH
 OF SCREW IS .250 INCHES PLUS
 THICKNESS OF THE BOARD.
 TORQUE FOR EACH SCREW IS 3-5 INCH LBS.



3341-5

DESIGN REFERENCE	NEXT ASSEMBLY	REV	ECO	ISSUE DATE AND DESCRIPTION	DRFT	CHKD
		T	62689	JUL 10, 2015 ADD 5X05 OPTION AND REVISE NOTES	JNC	SN
		S	60056	MAR 06, 2015 REVISE ORDERING NUMBER	JNC	RS
		R	56068	JUL 25, 2014 REVISED AND REDRAWN	JNC	RS
		CHKD	CASTIGLIONE	DATE JUL 25, 2014	DATE MFG	DATE SEP 05, 2014
		APPR	R. SCHERER	DATE SEP 05, 2014		
DIVISION Interconnect Solutions		DIVISION CODE EMSD		© 3M COPYRIGHT 2016 This document and the information it contains are 3M property and may not be reproduced or further distributed without 3M permission, or used or disclosed other than for 3M authorized purposes. All rights reserved.		
DO NOT SCALE DRAWING	SCALE 4 1	TOLERANCES EXCEPT AS NOTED		TITLE HEADER, 4-WALL, .100 X .100 LATCH/EJECTOR, STRAIGHT & RA		
THIRD ANGLE PROJECTION		INCHES .00 ± .01 .000 ± .005 .0000 ±		CAGE NUMBER D78-5100-0772-3 T		
INTERPRET PER ASME Y14.5 - 2009		MILLIMETERS 0 ± .0 ± .3 .00 ± .13 .000 ±		MODEL 3000 SERIES		
MAX SURFACE ROUGHNESS		SURFACES		DET. <input type="checkbox"/> YES <input checked="" type="checkbox"/> NO SHT 4 OF 4		
<input checked="" type="checkbox"/> MARKED ONLY		ANGLES				

78-5100-0772-3
 DRAWING NUMBER
 T
 REVISION
 AM UTC-05:00
 7/12/2016 8:14
 Image: T.2

X-ON Electronics

Largest Supplier of Electrical and Electronic Components

Click to view similar products for [Headers & Wire Housings](#) category:

Click to view products by [3M](#) manufacturer:

Other Similar products are found below :

[95000-104TRLF](#) [10135584-644402LF](#) [DF62W-EP2022PCA](#) [95000-106TRLF](#) [DF62W-2022SCA](#) [DF62W-EP2022PC](#) [2203348](#) [DF62W-2022SC](#) [1084018](#) [1029039](#) [1084017](#) [802-10-012-10-002000](#) [1112640](#) [1112639](#) [000-34000](#) [0009482033](#) [0009507031](#) [57102-S06-03LF](#) [57202-S52-04LF](#) [PCN6-15S-2.5E](#) [0039019024](#) [58102-G61-06LF](#) [582553-1](#) [0009508121](#) [0050291907](#) [018731A](#) [LY20-4P-DT1-P1E-BR](#) [02.125.8002.8](#) [60101931](#) [60598-1 \(Cut Strip\)](#) [M1625-3R/100](#) [61062-3](#) [61082-181009](#) [636-1427](#) [638009-1](#) [641938-9](#) [641991-4](#) [644168-1](#) [644827-2](#) [647662-1](#) [65039-019ELF](#) [65817-002LF](#) [65817-015LF](#) [65863-015LF](#) [66207-023LF](#) [67016-026LF](#) [67046-001LF](#) [67095-007LF](#) [68002-116](#) [68016-236H](#)