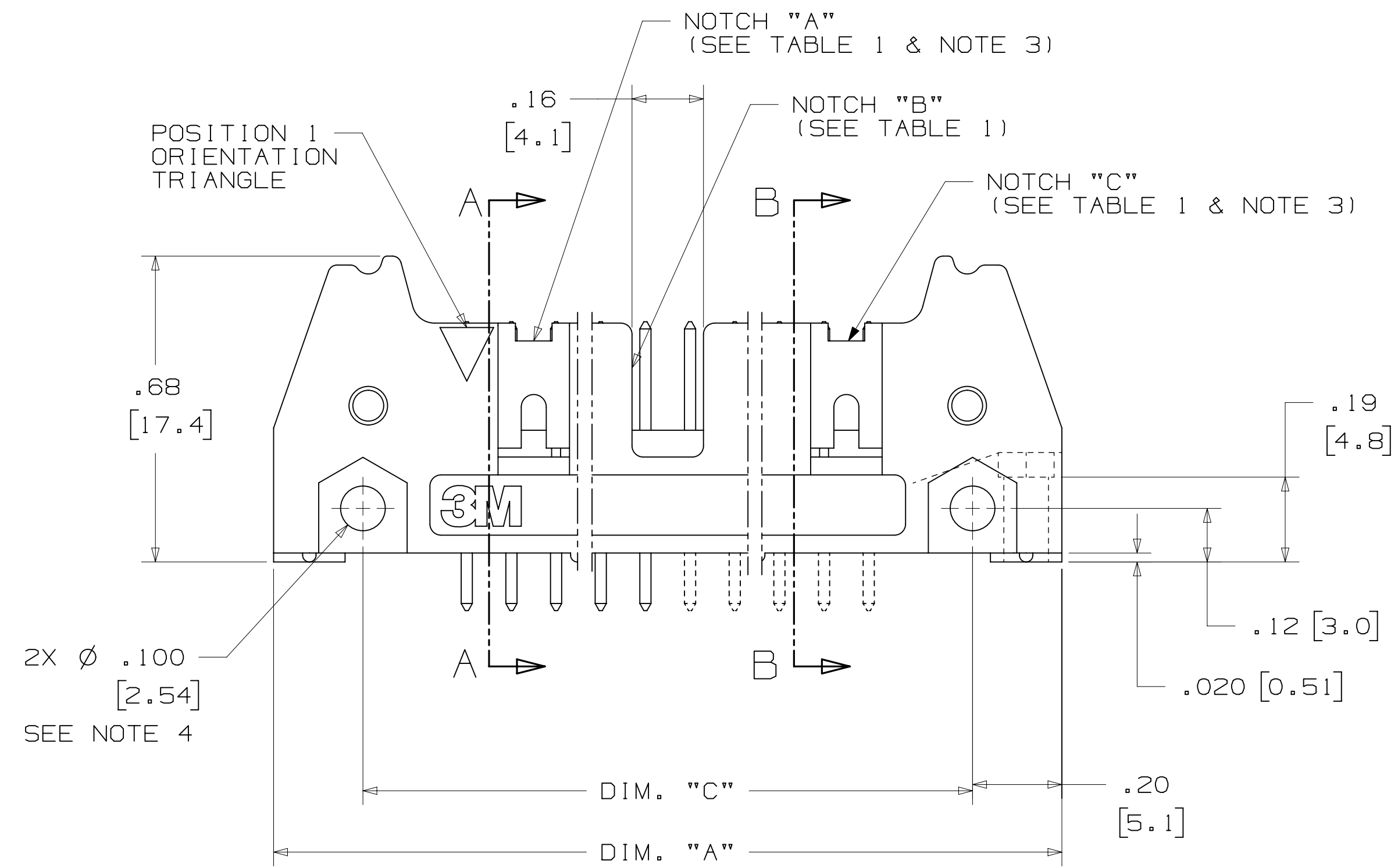
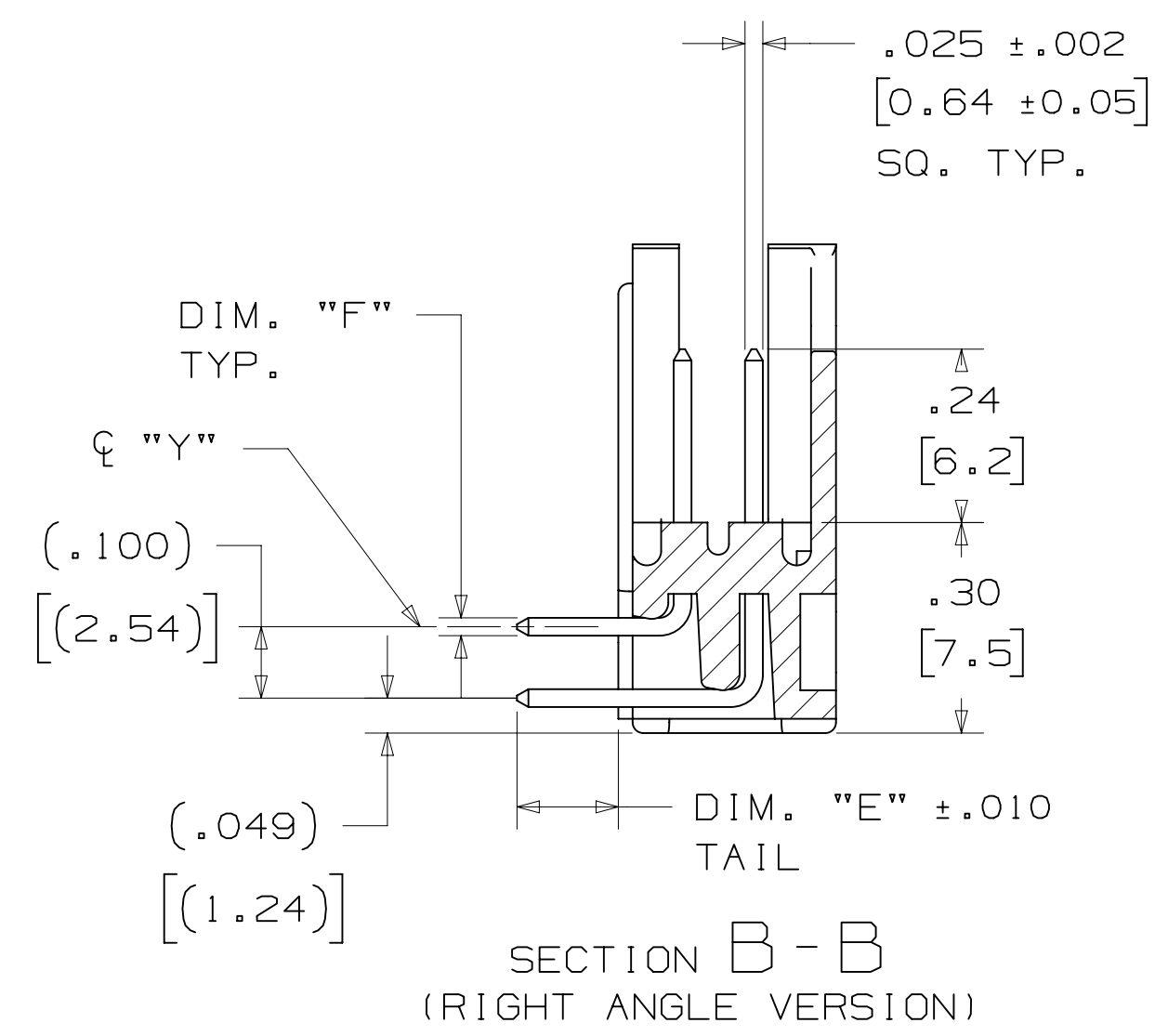
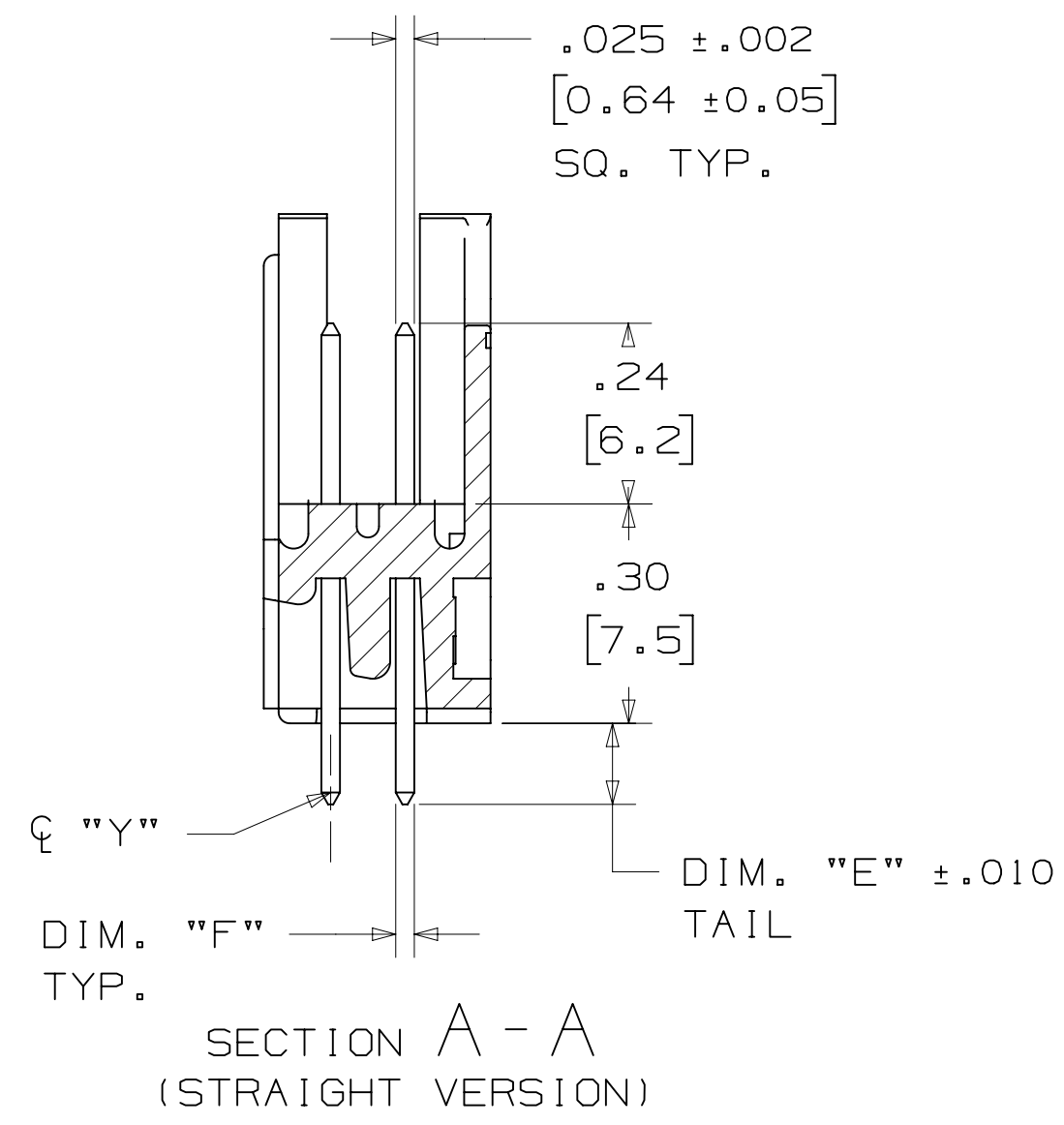


3M™ THREE-WALL HEADER, 3000 SERIES

.100" X .100" LATCH/EJECTOR, STRAIGHT AND RIGHT ANGLE



| PIN QTY. | 3M PART NUMBER | DIM. "A" | DIM. "B" | DIM. "C" | DIM. "D" | POLARIZING NOTCHES | PIN QTY. |
|----------|----------------|--------------|---------------|---------------|-------------|--------------------|----------|
| 10 | 3793 | 1.26 [32.1] | 1.105 [28.04] | .865 [21.97] | .71 [18.0] | BC | 10 |
| 14 | 3314 | 1.46 [37.2] | 1.305 [33.12] | 1.065 [27.05] | .91 [23.1] | BC | 14 |
| 16 | 3408 | 1.56 [39.7] | 1.405 [35.66] | 1.165 [29.59] | 1.01 [25.6] | ABC | 16 |
| 20 | 3428 | 1.76 [44.8] | 1.604 [40.74] | 1.365 [34.67] | 1.21 [30.7] | ABC | 20 |
| 26 | 3429 | 2.06 [52.4] | 1.905 [48.36] | 1.665 [42.29] | 1.51 [38.3] | ABC | 26 |
| 34 | 3431 | 2.46 [62.6] | 2.305 [58.52] | 2.065 [52.45] | 1.91 [48.5] | ABC | 34 |
| 40 | 3432 | 2.76 [70.2] | 2.605 [66.14] | 2.365 [60.07] | 2.21 [56.1] | ABC | 40 |
| 50 | 3433 | 3.26 [82.9] | 3.105 [78.84] | 2.865 [72.77] | 2.71 [68.8] | ABC | 50 |
| 60 | 3372 | 3.76 [95.6] | 3.605 [91.54] | 3.365 [85.47] | 3.21 [81.5] | ABC | 60 |
| 64 | 3764 | 3.96 [100.7] | 3.805 [96.62] | 3.565 [90.55] | 3.41 [86.6] | ABC | 64 |

| 3M PART NUMBER SUFFIX | CONTACT TAIL | DIM. "E" | PIN CROSS SECTION | | | DIM. "G" |
|-----------------------|----------------------------|-------------|-----------------------|--------------------|-------------------|--------------------|
| -1XX2 | .062 [1.57] THICK PC BOARD | .112 [2.84] | DIM. "F" | DIAGONALS | CORNER RADIUS | .035+/- .003 [.89] |
| -2XX2 | | | .0245+/- .0005 [.622] | .028+/- .001 [.71] | .0075 REF. [.191] | SEE NOTE 5 |
| -1X03 | .094 [2.39] TO | .155 [3.94] | .0245+/- .0005 [.622] | .028+/- .001 [.71] | .0075 REF. [.191] | .035+/- .003 [.89] |
| -2X03 | .125 [3.18] THICK PC BOARD | | | | | |

| | | | | | | |
|------------------|---------------|-------------|--------------|----------------------------|--------------|------|
| DESIGN REFERENCE | NEXT ASSEMBLY | REV | ECO | ISSUE DATE AND DESCRIPTION | DRFT | CHKD |
| | | CASTIGLIONE | AUG 05, 2014 | MFG | | |
| | | | | DATE | DATE | DATE |
| | | | | APPV | DATE | |
| | | | | R. SCHERER | SEP 05, 2014 | |

| | | | | | | |
|----------------|----------------------------|-------------|-----------------------|--------------------|-------------------|--------------------|
| 3M PART NUMBER | CONTACT TAIL | DIM. "E" | PIN CROSS SECTION | | | DIM. "G" |
| -1XX2 | .062 [1.57] THICK PC BOARD | .112 [2.84] | DIM. "F" | DIAGONALS | CORNER RADIUS | .035+/- .003 [.89] |
| -2XX2 | | | .0245+/- .0005 [.622] | .028+/- .001 [.71] | .0075 REF. [.191] | SEE NOTE 5 |
| -1X03 | .094 [2.39] TO | .155 [3.94] | .0245+/- .0005 [.622] | .028+/- .001 [.71] | .0075 REF. [.191] | .035+/- .003 [.89] |
| -2X03 | .125 [3.18] THICK PC BOARD | | | | | |

| | | |
|------------------------|---------------------------------|----------------------------|
| DO NOT SCALE DRAWING | SCALE 4/1 | TOLERANCES EXCEPT AS NOTED |
| THIRD ANGLE PROJECTION | INTERPRET PER ASME Y14.5 - 2009 | MILLIMETERS |
| MAX SURFACE ROUGHNESS | UNFINISHED SURFACES | 0 ± .3 |
| MARKED ONLY | | .00 ± .13 |
| | | .000 ± |

| | | |
|--|--|---------------------|
| 3M Center | St. Paul, MN 55144 | © 3M COPYRIGHT 2015 |
| This document and the information it contains are 3M property and may not be reproduced or further distributed without 3M permission, or used or disclosed other than for 3M authorized purposes. All rights reserved. | | |
| TITLE | HEADER, 3-WALL, .100 X .100 LATCH/EJECTOR, STRAIGHT & RA | |
| CAGE NUMBER | SIZE | DRAWING NO. |
| D | | 78-5100-0771-5 |
| MODEL | 3000 SERIES | REV. H |
| | DET | IS1s |
| | YES | NO |
| | SHT | 2 OF 4 |

H REVISION
 78-5100-0771-5 DRAWING NUMBER
 B
 A
 Imaged: H.1 3/6/2015 12:53 PM UTC-06:00

3M™ THREE-WALL HEADER, 3000 SERIES
 .100" X .100" LATCH/EJECTOR, STRAIGHT AND RIGHT ANGLE

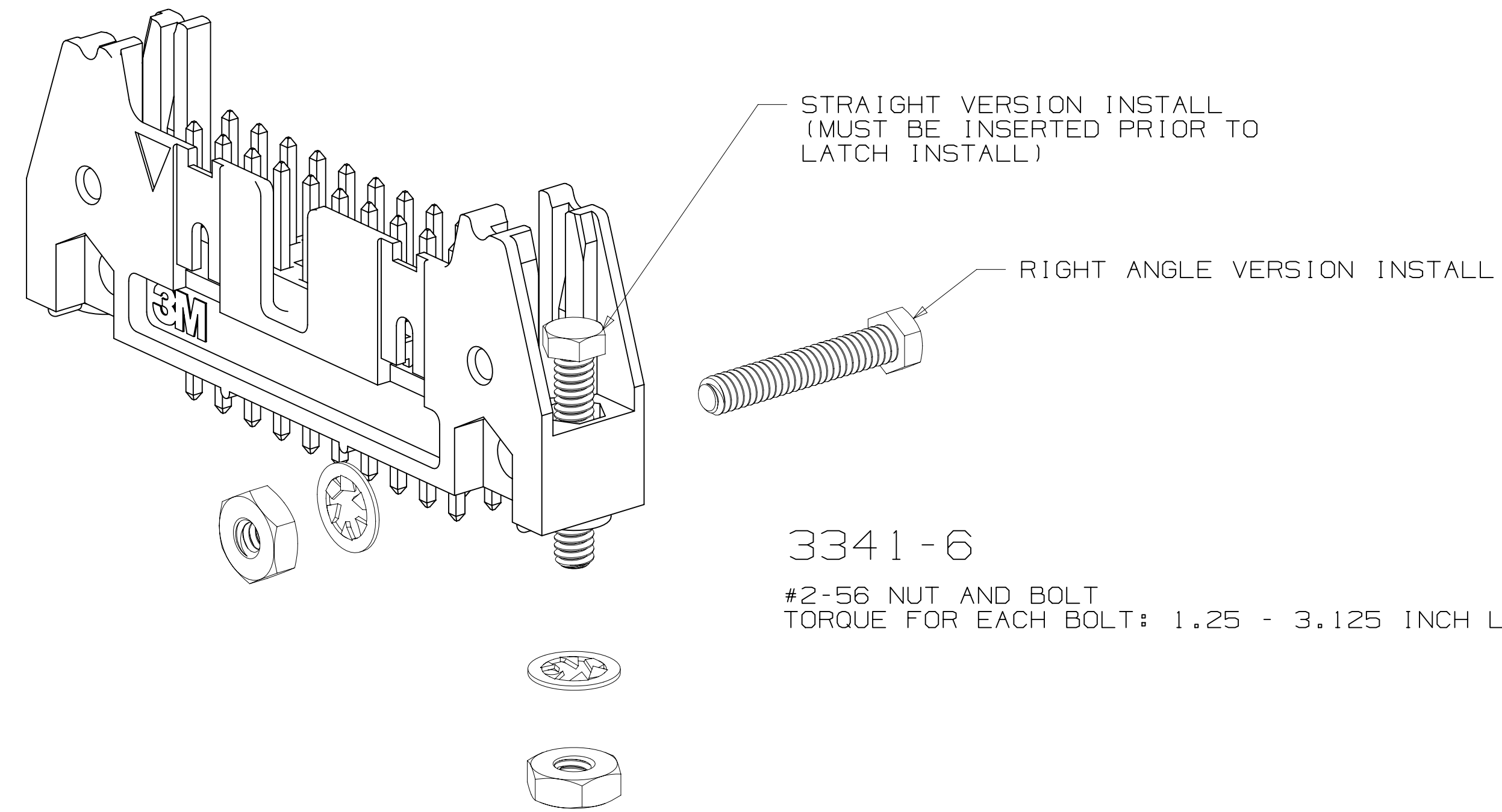
MOUNTING HARDWARE



3341-5
 (INSTALL FROM BOTTOM OF BOARD)
 PANHEAD THREAD CUTTING SCREW:
 #4-24 X 5/16"
 TYPE: USA STD BT, FEDERAL B6
 MATERIAL: STAINLESS STEEL



3341-6
 HEX HEAD BOLT, NUT AND WASHER:
 BOLT - #2-56 X 1/2"
 MATERIAL: STAINLESS STEEL



3341-6
 #2-56 NUT AND BOLT
 TORQUE FOR EACH BOLT: 1.25 - 3.125 INCH LBS.



3341-5

| | | | | | | |
|------------------------|---------------------------------|--|---|----------------------------|------|------|
| DESIGN REFERENCE | NEXT ASSEMBLY | REV | ECO | ISSUE DATE AND DESCRIPTION | DRFT | CHKD |
| | | | | | | |
| DATE | DATE | DATE | DATE | DATE | DATE | DATE |
| CASTIGLIONE | AUG 05, 2014 | MFG | | | | |
| | | R. SCHERER | | SEP 05, 2014 | | |
| DIVISION | DIVISION CODE | © 3M COPYRIGHT 2015 | | | | |
| Interconnect Solutions | EMSD | This document and the information it contains are 3M property and may not be reproduced or further distributed without 3M permission, or used or disclosed other than for 3M authorized purposes. All rights reserved. | | | | |
| DO NOT SCALE DRAWING | SCALE 4/1 | TOLERANCES EXCEPT AS NOTED | | | | |
| | | INCHES | TITLE | | | |
| | | .00 ± .01 | HEADER, 3-WALL, .100 X .100 LATCH/EJECTOR, STRAIGHT & RA | | | |
| | | .000 ± .005 | CAGE NUMBER | | | |
| | | .0000 ± | D 78-5100-0771-5 H | | | |
| THIRD ANGLE PROJECTION | INTERPRET PER ASME Y14.5 - 2009 | MILLIMETERS | MODEL | | | |
| | | 0 ± | 3000 SERIES | | | |
| | | .0 ± .3 | IS1S <input type="checkbox"/> YES <input checked="" type="checkbox"/> NO SHT 4 OF 4 | | | |
| | | .00 ± .13 | | | | |
| | | .000 ± | | | | |
| | | ANGLES | | | | |

78-5100-0771-5
 DRAWING NUMBER
 H
 REVISION
 3/6/2015 12:53 PM UTC-06:00
 A

X-ON Electronics

Largest Supplier of Electrical and Electronic Components

Click to view similar products for [Headers & Wire Housings](#) category:

Click to view products by [3M](#) manufacturer:

Other Similar products are found below :

[95000-104TRLF](#) [10135584-644402LF](#) [DF62W-EP2022PCA](#) [95000-106TRLF](#) [DF62W-2022SCA](#) [DF62W-EP2022PC](#) [2203348](#) [DF62W-2022SC](#) [1084018](#) [1029039](#) [1084017](#) [802-10-012-10-002000](#) [1112640](#) [1112639](#) [891-007-9SS-BST1T](#) [000-34000](#) [0008550134](#) [0009482033](#) [0009507031](#) [57102-F02-18ULF](#) [57102-S06-03LF](#) [57202-S52-04LF](#) [PCN6-15S-2.5E](#) [0039019024](#) [58102-G61-06LF](#) [582553-1](#) [0009485154](#) [0009508121](#) [0022285053](#) [0050291907](#) [018731A](#) [LY20-4P-DT1-P1E-BR](#) [02.125.8002.8](#) [60101931](#) [60598-1 \(Cut Strip\)](#) [M1625-3R/100](#) [61062-3](#) [61082-181009](#) [CSU011177004](#) [636-1427](#) [638009-1](#) [641938-9](#) [641991-4](#) [644168-1](#) [644827-2](#) [647662-1](#) [65039-019ELF](#) [65692-001LF](#) [65781-018](#) [65781-047](#)