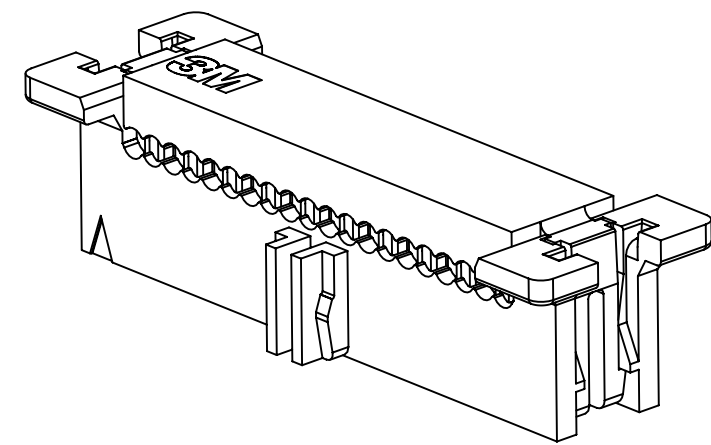
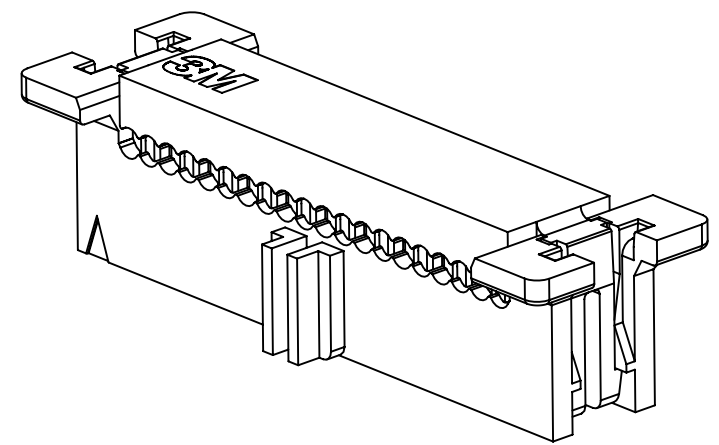


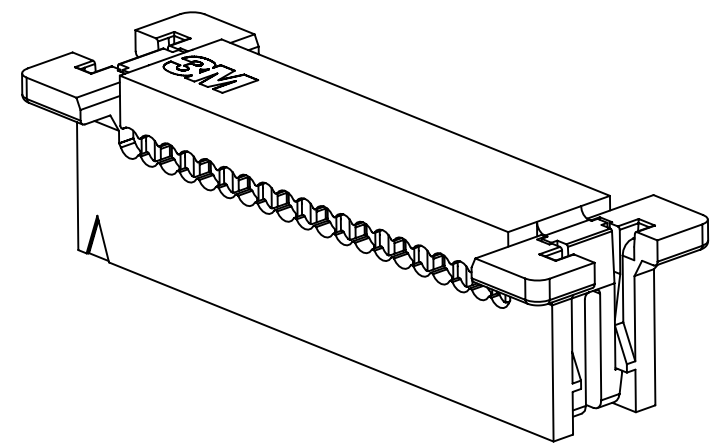
3M™ RIBBON CABLE WIREMOUNT SOCKET ASSEMBLY,  
 .05" X .05" (1.27mm X 1.27mm) PITCH, 451 SERIES



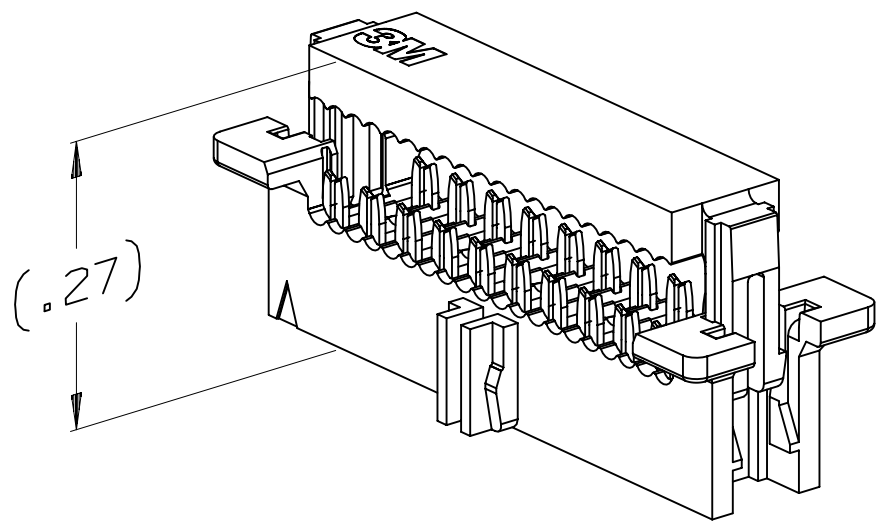
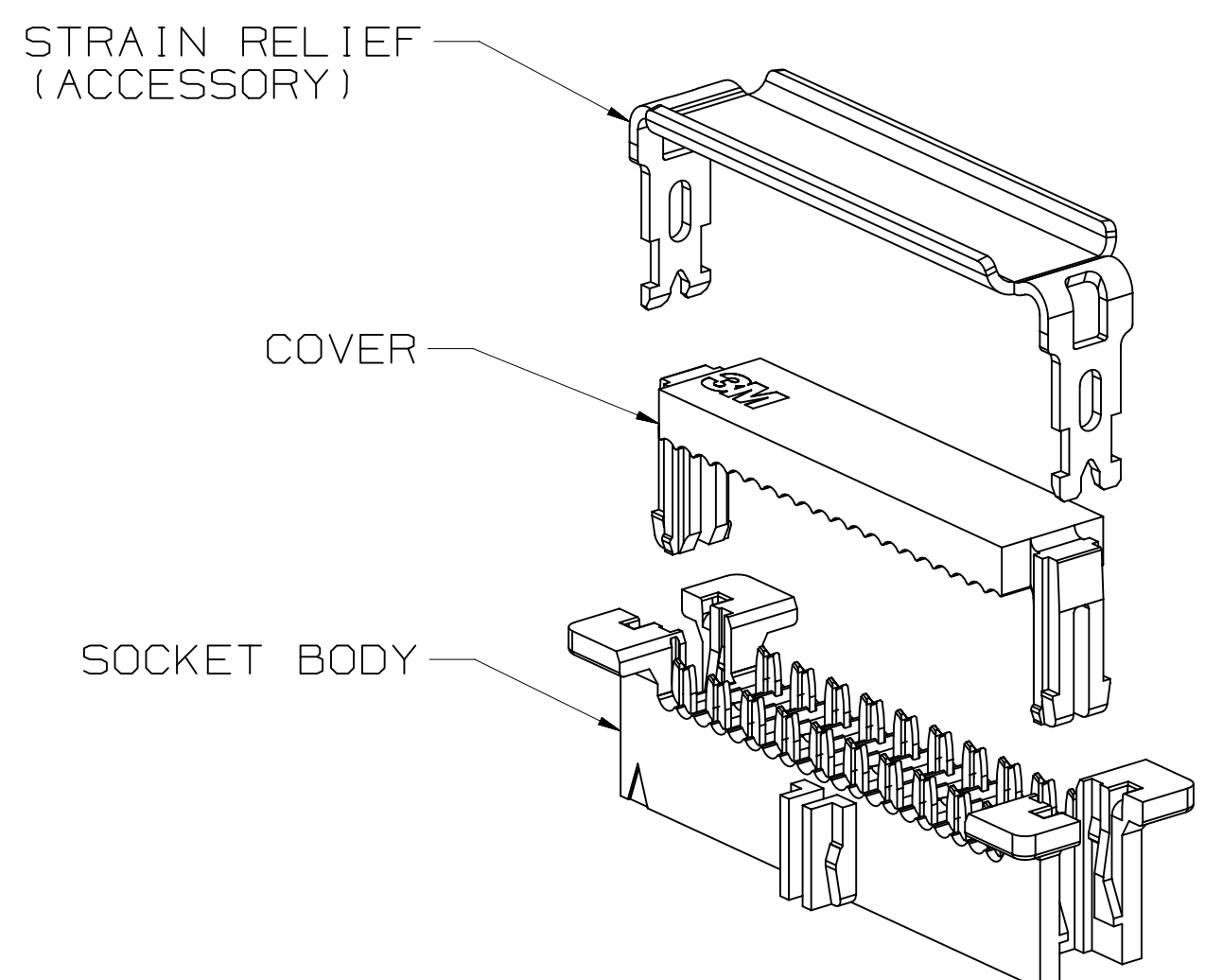
CENTER POLARIZATION AND FRICTION LATCH



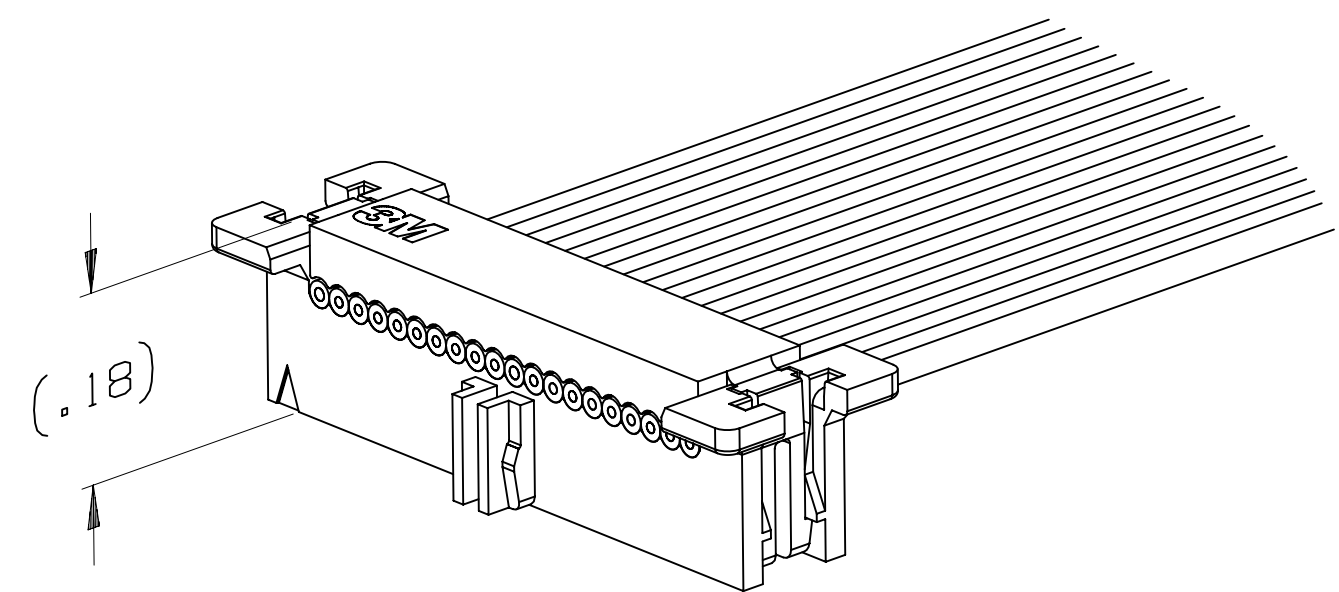
CENTER POLARIZATION AND NO FRICTION LATCH



NO CENTER POLARIZATION AND NO FRICTION LATCH

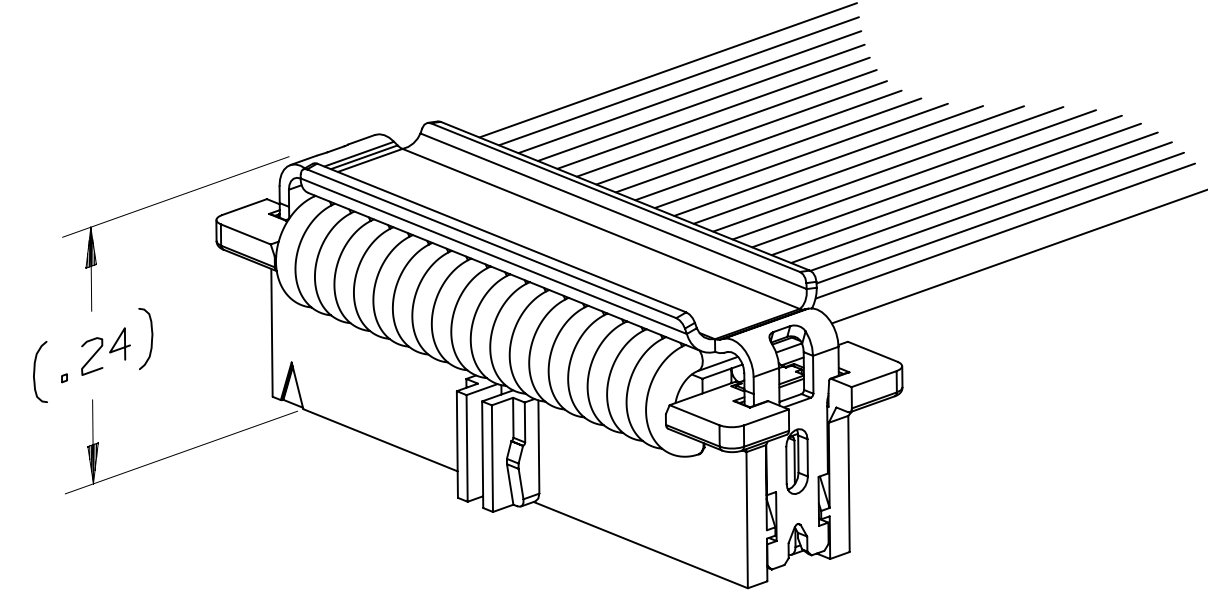


PRE-POSITIONED COVER



NO STRAIN RELIEF

TERMINATED CONNECTOR



WITH OPTIONAL STRAIN RELIEF

Performance:	
Current Rating:	1.0 A, all lines energized, 30C temp rise per EIA 364-70 1.5 A, 6 lines energized, 30C temp rise per EIA 364-70 2.5 A, 1 line energized, 30C temp rise per EIA 364-70
Voltage Rating:	125V min
Insulation Resistance:	> 1 x 10 <sup>9</sup> Ohms at 500 VDC
Withstanding Voltage:	1250VACrms at sea level
Operating Temperature:	-55°C to +105°C

ORDERING INFORMATION FOR RAPID INSTALLATION ON RIBBON CABLE APPLICATIONS

451 XX - 0 X 0 0 XX

SERIES ——— POSITION COUNT ——— PLATING  
 04 - 30 SEE TABLE 1 00 = AU FLASH 30 = 30μ" GOLD

OPTIONAL FEATURES 0 = NONE SPECIFIED

PACKAGING 0 = STANDARD (TRAYS)

CENTER POLARIZATION / FRICTION LATCH  
 0 = NO CENTER POLARIZATION (CP) (04-30 POS.)  
 1 = CP NO FRICTION LATCH (08 - 30 POS.)  
 2 = CP WITH FRICTION LATCH (08 - 30 POS.)

NOTE:  
 FRICTION LATCH (OPTION 2) IS NOT SUITABLE FOR HEADER WITH LATCH EJECT OPTION

ACCESSORY: STRAIN RELIEF  
 3448-451XX

POSITION COUNT 04 - 30

APPLICATION TOOLING:  
 ALUMINUM: 3443-82-XX

POSITION COUNT 04 - 30

- NOTES
- MATERIAL: BODY: PBT, UL94V-0  
COVER: PBT, UL94V-0  
STRAIN RELIEF: 304 STAINLESS STEEL  
CONTACTS: COPPER ALLOY.
  - PLATING: 50-150μ" NICKEL UNDERPLATE  
30 = 30μ" MIN. GOLD ON WIPING AREA  
00 = FLASH GOLD ON WIPING AREA.
  - RIBBON CABLE COMPATIBILITY: GENERAL: 0.025" PITCH PVC, PO, TPE, OR FEP CABLE 30 AWG, SOLID OR 7 STRAND.  
RECOMMENDED: 3M 3754, 3749, HF447 SERIES CABLE.
  - MATING COMPATIBILITY: 3M .050" X .050" SERIES 452 HEADER WITH LATCH/EJECT OPTION.
  - REGULATORY INFORMATION: ROHS COMPLIANT. SEE THE REGULATORY INFORMATION APPENDIX (RIA) IN THE "ROHS COMPLIANCE" SECTION OF WWW.3MCONNECTORS.COM FOR COMPLIANCE INFORMATION (RIA E1 & C1 APPLY)
  - IN THE EVENT OF CONFLICT BETWEEN THIS DATA AND THAT CONTAINED IN THE PRODUCT SPECIFICATION, THE PRODUCT SPECIFICATION TAKES PRECEDENT.
  - REFERENCE RELATED DOCUMENTS: PRODUCT SPECIFICATION: 3M DOC. ID# 78-5102-0091-4.
  - TOOLING AND INSTALLATION INSTRUCTIONS: 3M DOC. ID# 78-9101-5361-4
  - OTHER PIN COUNTS AVAILABLE UPON REQUEST. CONTACT 3M.
  - PACKAGING: SOCKET: TRAY  
COVER: BAG

3M™ ELECTRONIC SOLUTIONS DIVISION  
 INTERCONNECT SOLUTIONS  
<http://www.3mconnectors.com>

3M IS A TRADEMARK OF 3M COMPANY.  
 FOR TECHNICAL, SALES OR ORDERING INFORMATION CALL 800-225-5373

DESIGN REFERENCE	NEXT ASSEMBLY	REV	ECO	ISSUE DATE AND DESCRIPTION	DRFT	CHKD
		B	48635	JUL 12, 2013 MATCH TEXT FONTS & ADD NOTE 10	JNC	SN
		A	46797	MAR 25, 2013 PRODUCTION RELEASE	JNC	SAN

DATE	DATE	DATE	DATE
FEB 11, 2011	FEB 11, 2011	FEB 11, 2011	FEB 11, 2011

INCHES	MILLIMETERS
DO NOT SCALE DRAWING	SCALE EXCEPT AS NOTED
SCALE 6-1	SCALE 1
TOLERANCES EXCEPT AS NOTED	TOLERANCES EXCEPT AS NOTED
INCHES: .00 ± .01, .00 ± .02, .000 ± .010, .0000 ± .005	MILLIMETERS: 0 ±, .0 ±, .00 ±, .00 ±, .00 ±
THIRD ANGLE PROJECTION	INTERPRET PER ASME Y14.5 - 1994
MAX SURFACE ROUGHNESS	MAX SURFACE ROUGHNESS
MARKED ONLY	MARKED ONLY

TITLE	CAGE NUMBER	SIZE	DRAWING NO.	REV.
RIBBON CABLE SOCKET, .05 X .05 PITCH, 451 SERIES	D	78-5100-2436-3	B	

© 3M COPYR[IGHT] 2013  
 This document and the information it contains are 3M property and may not be reproduced or further distributed without 3M permission, or used or disclosed other than for 3M authorized purposes. All rights reserved.

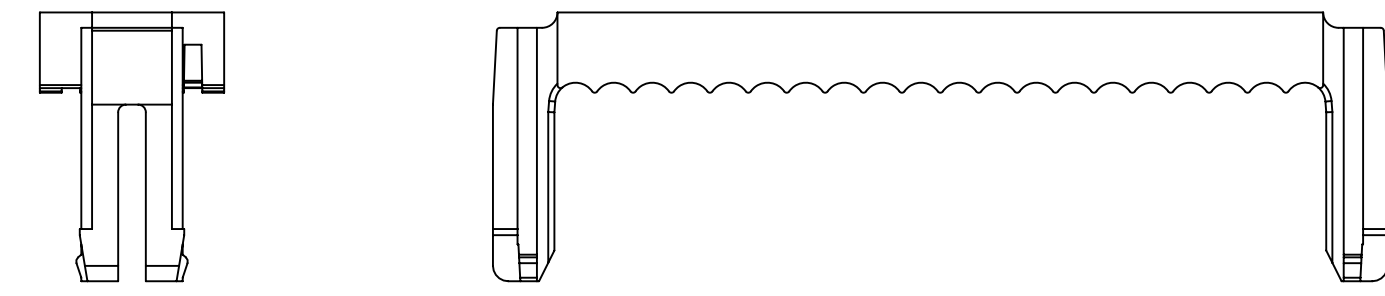
MODEL: [ ] YES [X] NO SHT 1 OF 2

78-5100-2436-3 REV. B 7/12/2013 2:35 PM UTC-05:00

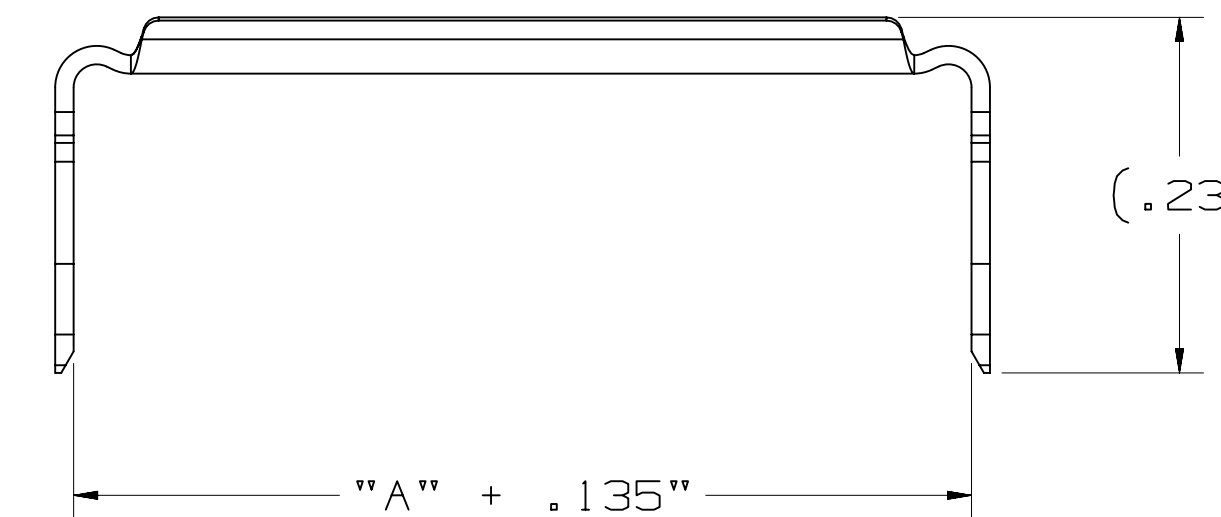
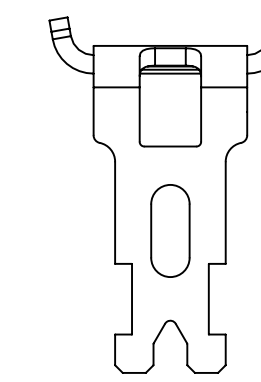
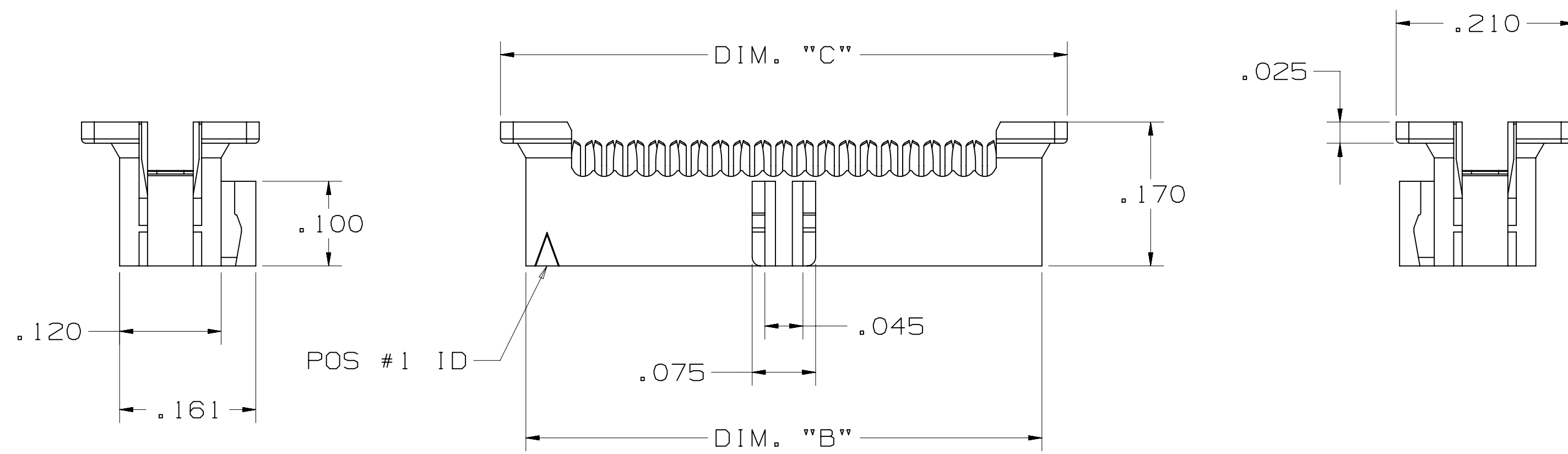
3M™ RIBBON CABLE WIREMOUNT SOCKET ASSEMBLY,  
 .05" X .05" (1.27mm X 1.27mm) PITCH, 451 SERIES

TABLE 1

No. Positions	Dim "A"	Dim "B"	Dim "C"
4	.050	.210	.270
6	.100	.260	.320
8	.150	.310	.370
10	.200	.360	.420
12	.250	.410	.470
14	.300	.460	.520
16	.350	.510	.570
20	.450	.610	.670
30	.700	.860	.920



COVER



ACCESSORY - STRAIN RELIEF  
 PART NUMBER 3448-451XX

DESIGN REFERENCE	NEXT ASSEMBLY	REV	ECO	ISSUE DATE AND DESCRIPTION	DRFT	CHKD
		ARM		FEB 11, 2011		
DIVISION	DIVISION CODE	DATE	DATE	DATE	DATE	DATE
Interconnect Solutions	ISD					
DO NOT SCALE DRAWING	SCALE 4/1	TOLERANCES EXCEPT AS NOTED	INCHES: .0 ± .1, .00 ± .02, .000 ± .010, .0000 ± .005 MILLIMETERS: 0 ± .1, .00 ± .01, .000 ± .005			
THIRD ANGLE PROJECTION	INTERPRET PER ASME Y14.5 - 1994	MAX SURFACE ROUGHNESS	MILLIMETERS: 0 ± .1, .00 ± .01, .000 ± .005 INCHES: 0 ± .1, .00 ± .01, .000 ± .005			
TITLED RIBBON CABLE SOCKET, .05 X .05 PITCH, 451 SERIES		CAGE NUMBER D78-5100-2436-3		DRAWING NO. B		REV. B
MODEL IS1s		DET. YES NO		SHT 2 OF 2		

78-5100-2436-3  
 DRAWING NUMBER  
 B  
 REVISION  
 7/12/2013 2:35 PM UTC-05:00  
 Imaged: B.1 7/12/2013 2:35 PM UTC-05:00

## X-ON Electronics

Largest Supplier of Electrical and Electronic Components

*Click to view similar products for [Bench Top Tools](#) category:*

*Click to view products by [3M](#) manufacturer:*

Other Similar products are found below :

[6-1372442-6](#) [63801-4462](#) [63801-4561](#) [63801-7269](#) [679527-1](#) [691667-1](#) [7-21000-9](#) [768539-1](#) [854130-1](#) [854946-2](#) [856203-1](#) [904449-1](#) [9-22280-9](#) [986096-2](#) [992438-3](#) [1-21000-3](#) [1-21000-1](#) [1-25022-4](#) [1302263353](#) [1302263355](#) [1302261057](#) [1302261101](#) [1302261206](#)  
[1302261560](#) [1302263123](#) [1302264036](#) [1424264-1](#) [1424267-1](#) [1428211-1](#) [1428287-1](#) [1-455755-6](#) [1752744-1](#) [18023-9](#) [189763-1](#) [1901726-1](#)  
[2079747-1](#) [21001-2](#) [2119083-1](#) [2119371-1](#) [2161930-1](#) [2217088-2](#) [2217347-1](#) [22281-9](#) [22374-7](#) [284565-000](#) [F1 Handle Spring](#) [19228-0213](#)  
[2030790-2](#) [2063796-1](#) [2063799-2](#)