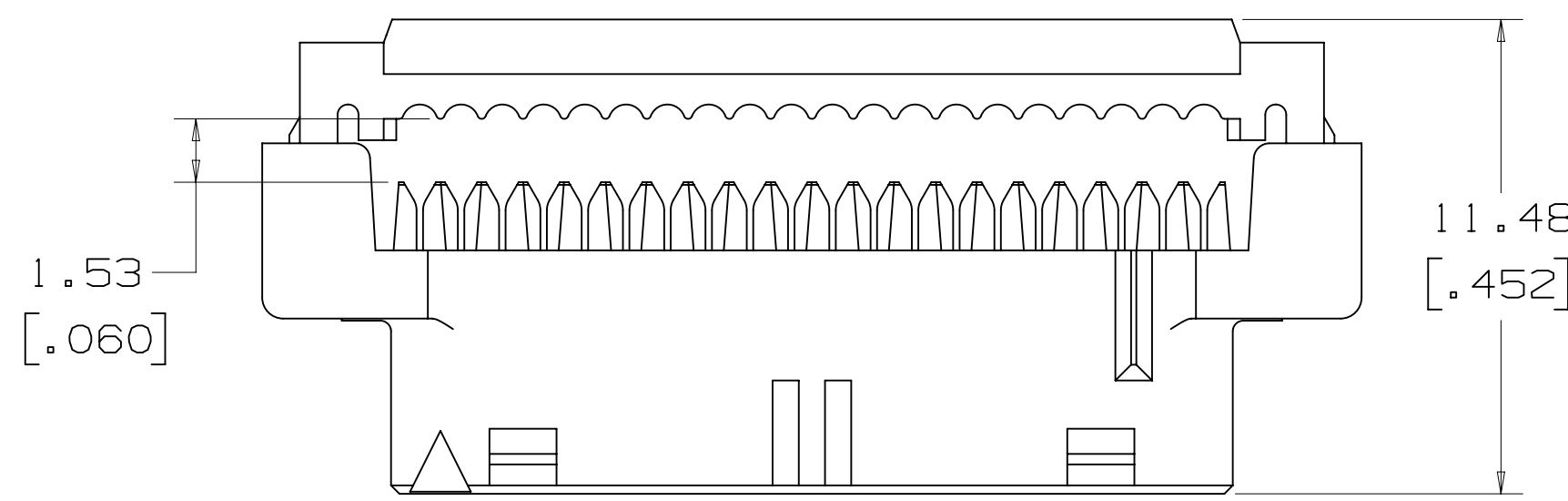
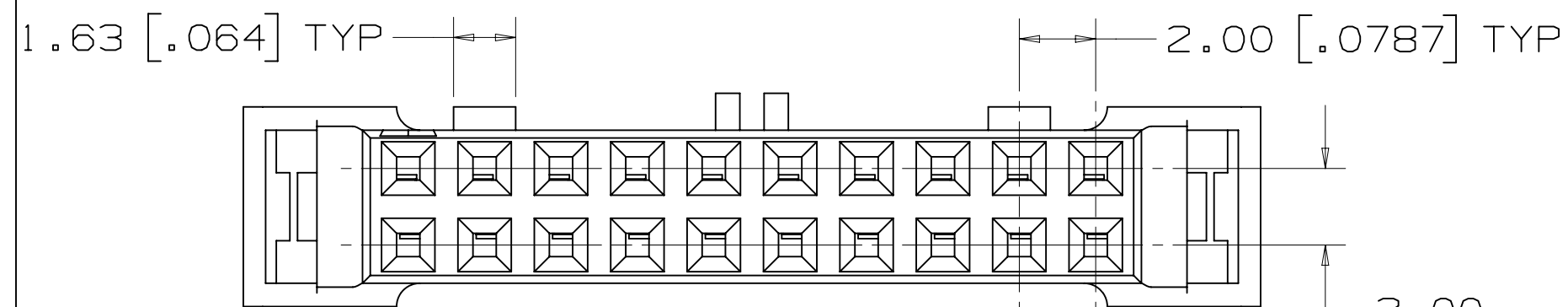
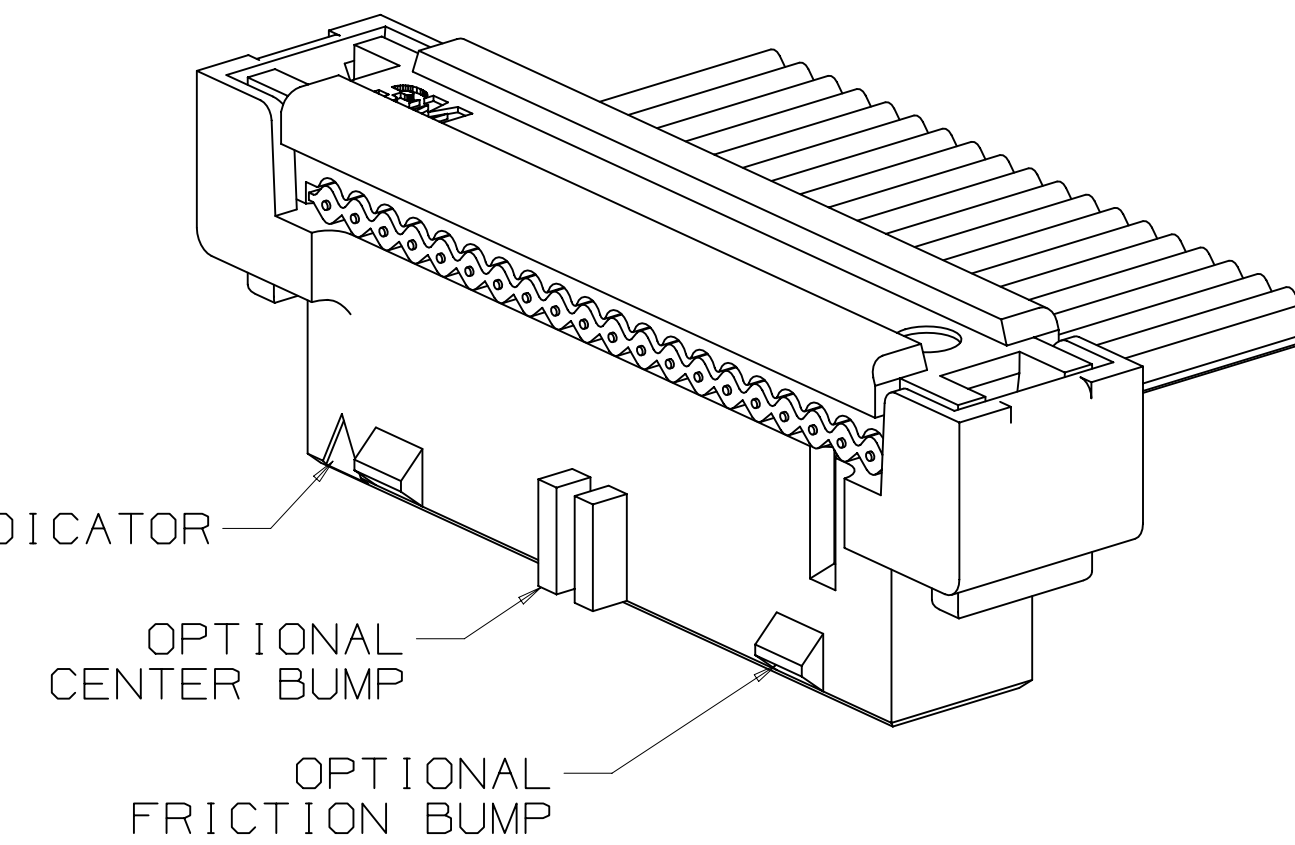
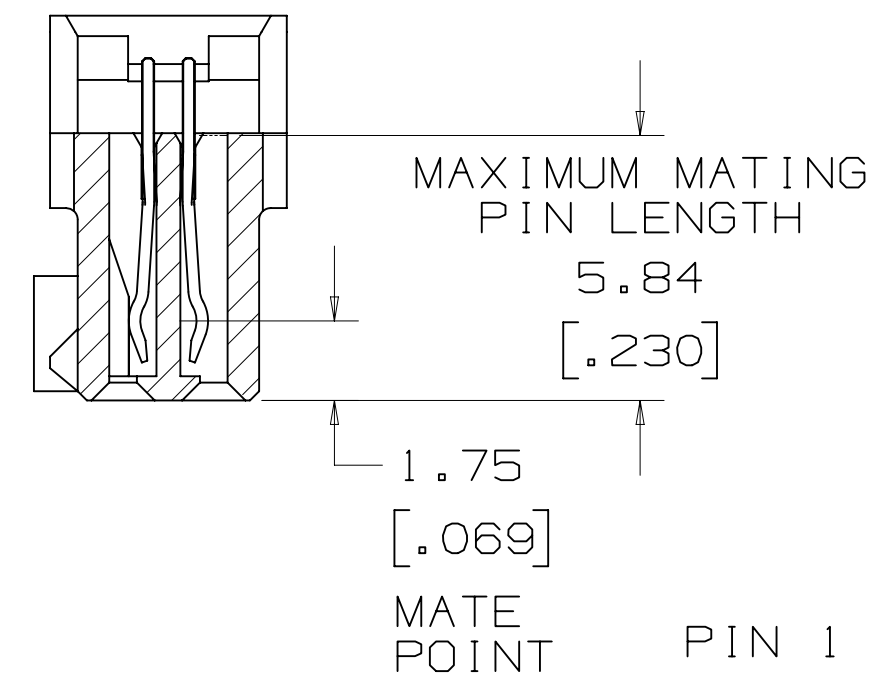
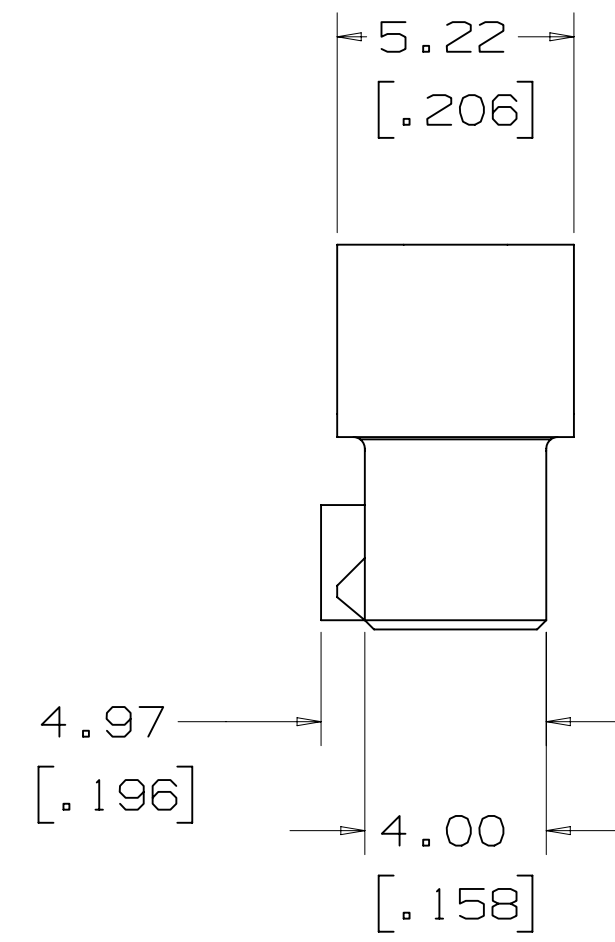
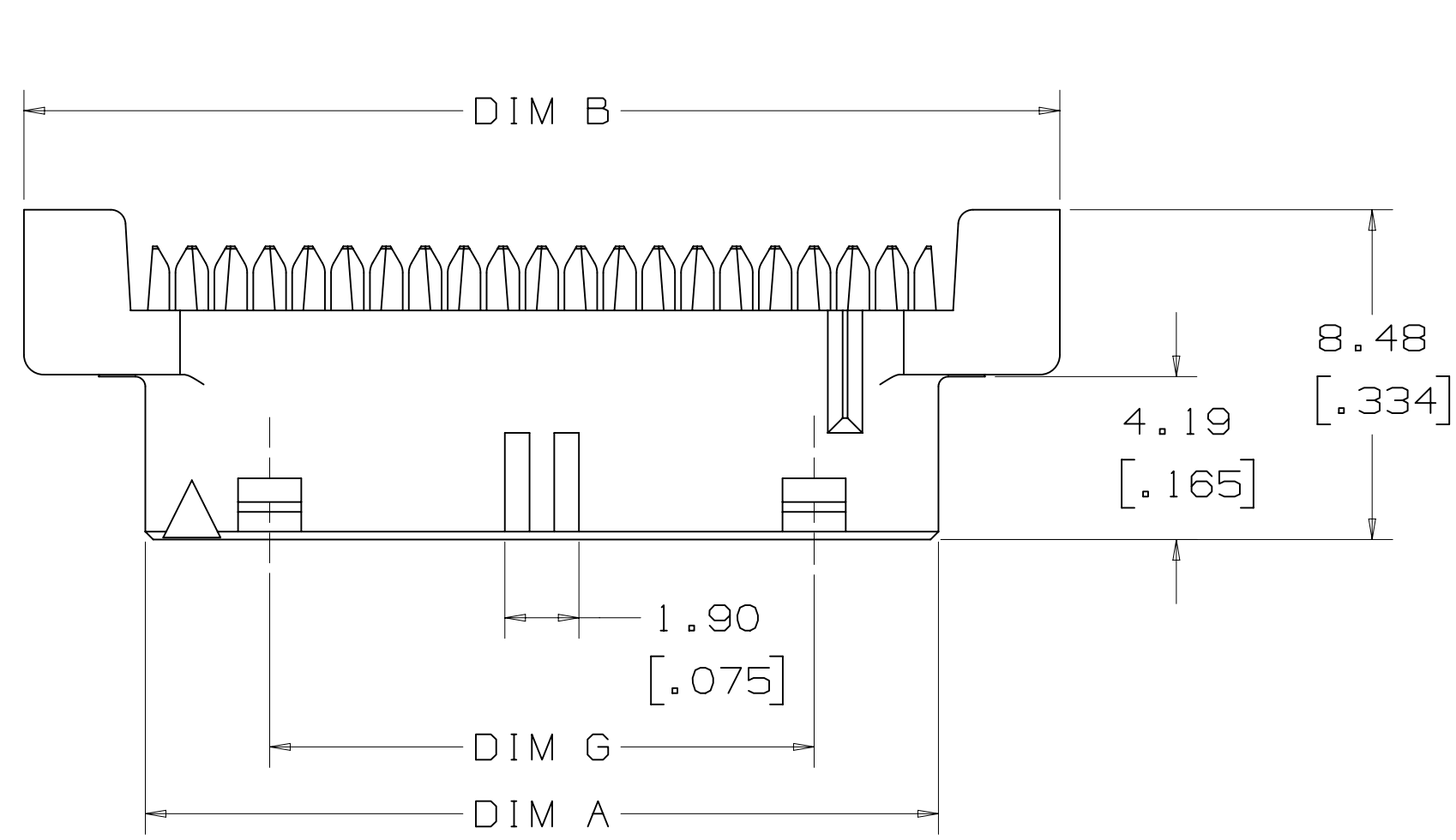
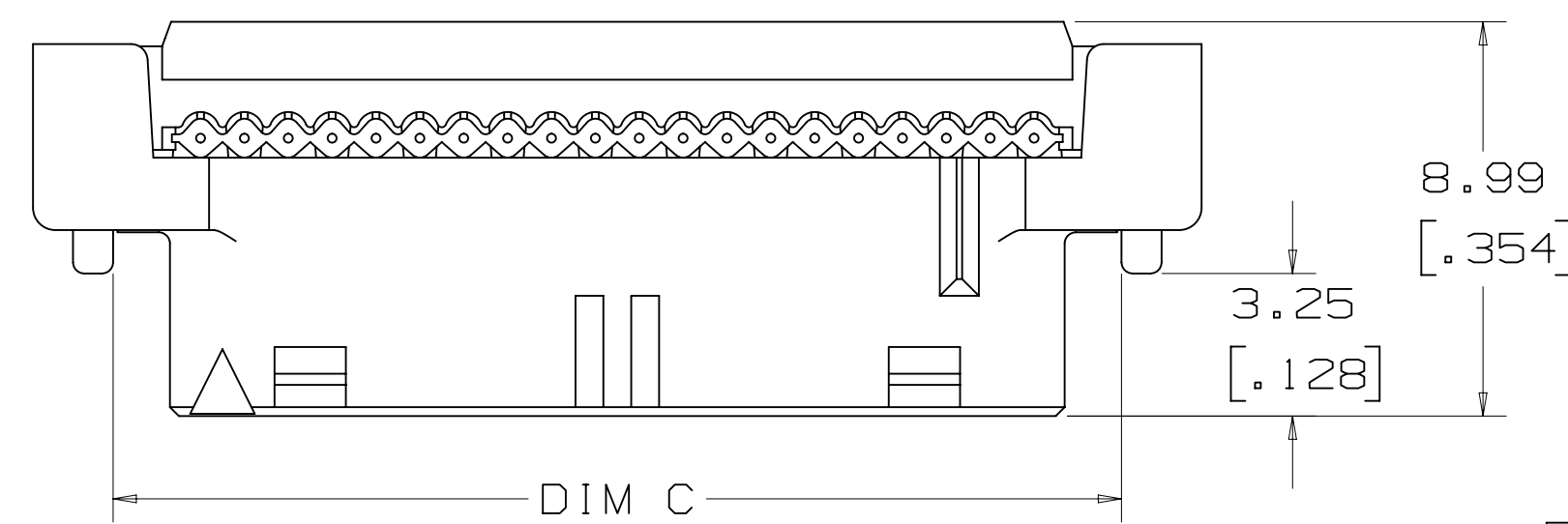
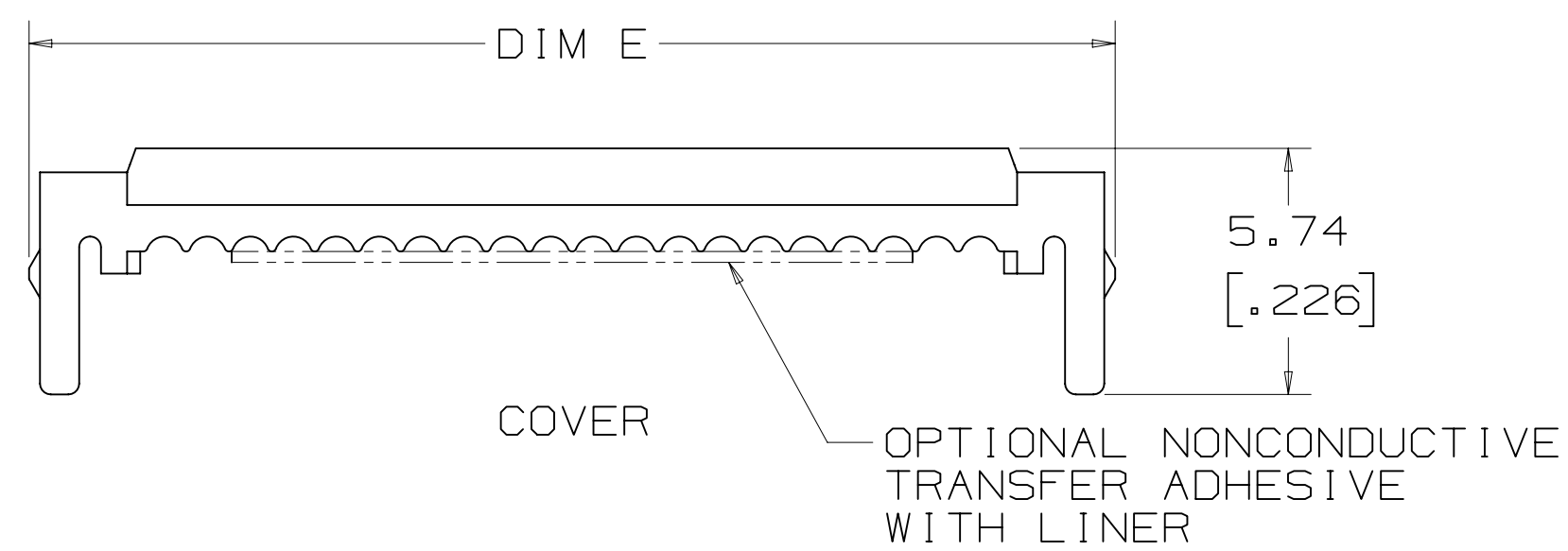


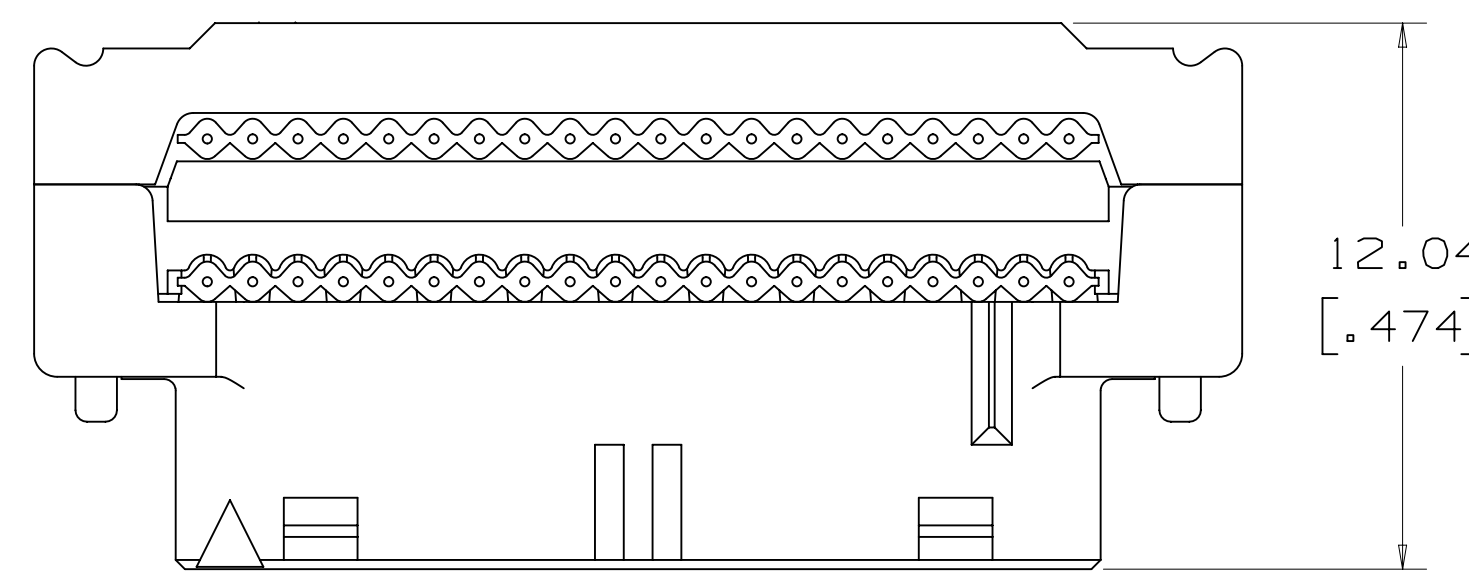
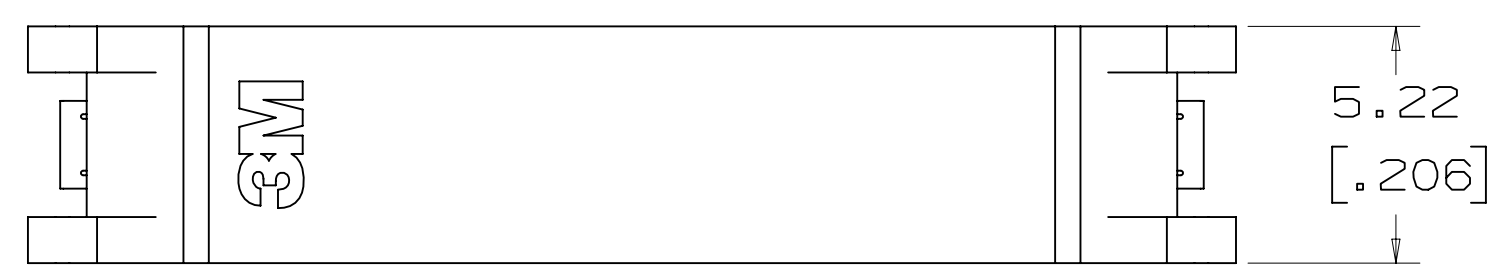
3M™ Ribbon Cable Socket 2 mm X 2 mm Pitch 158 Series



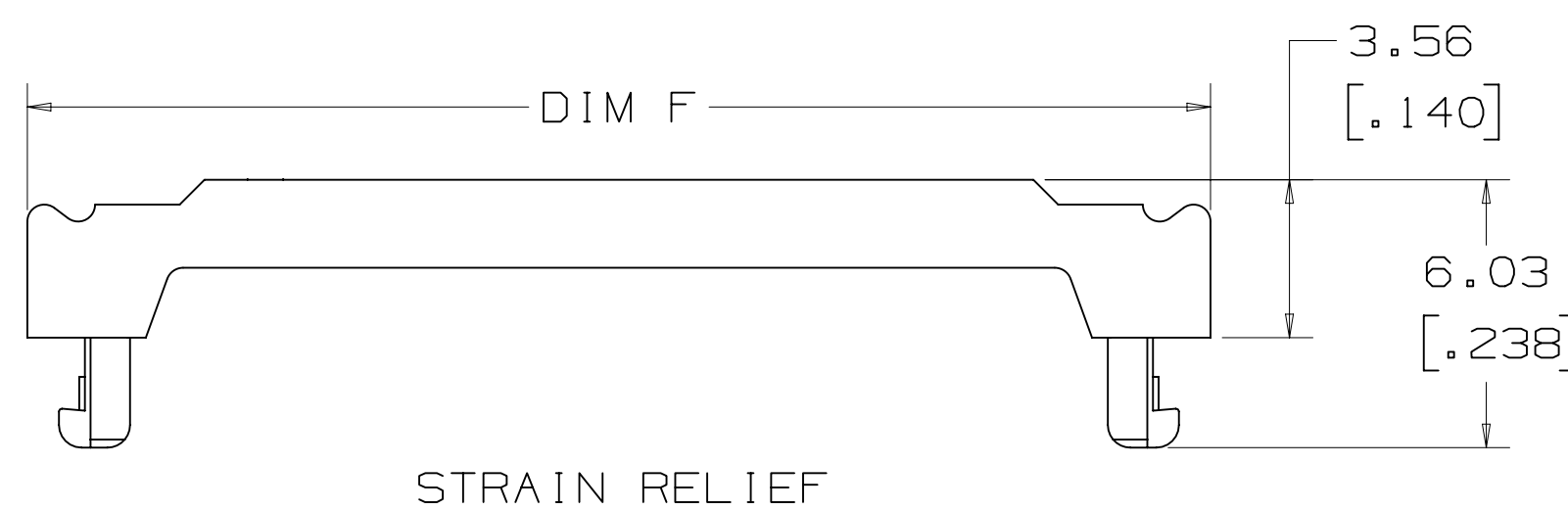
PREASSEMBLED HEIGHT WITH COVER



ASSEMBLED HEIGHT WITH COVER



ASSEMBLED HEIGHT WITH COVER AND STRAIN RELIEF



STRAIN RELIEF

NOTES

- 1 MATERIAL:
BODY: HIGH TEMP GLASS FILLED POLYESTER, GRAY UL94V-0
CONTACTS: COPPER ALLOY
- 2 PLATING:
2.03-3.81 μm [80-150 μin] NICKEL UNDERPLATE
0.38 μm [15 μin] OR 0.76 μm [30 μin] AVG GOLD ON WIPING AREA.
- 3 RIBBON CABLE:
RECOMMENDED: 3M™ 3625 (28 AWG, 7 STRAND).
- 4 APPLICATION TOOLS:
3460 PRESS (OR EQUIVALENT) 3443-119 LOCATOR PLATE, 3442-9 PLATEN
SEE 3M INSTRUCTION SHEET 78-9101-2810-3.
- 5 MATES WITH 3M™ HEADERS 159 SERIES (REFERENCE 3M DRAWING 78-5100-2359-7). (0.51 mm [.020 in] SQ, CROWNED PINS).
- 6 SEE THE REGULATORY INFORMATION APPENDIX (RIA) IN THE "ROHS COMPLIANCE" SECTION OF WWW.3MCONNECTOR.COM FOR COMPLIANCE INFORMATION (RIA E1 & C1 APPLY).
- 7 FOR PRODUCT SPECIFICATIONS AND WARRANTY INFORMATION SEE 3M 78-5102-0078-1.
- 8 IN THE EVENT OF CONFLICT BETWEEN THIS DATA AND THAT CONTAINED IN THE PRODUCT SPECIFICATION, THE PRODUCT SPECIFICATION TAKES PRECEDENT.

PERFORMANCE [7] [8]	
CURRENT:	1.25 A, ALL LINES ENERGIZED 2.00 A, 6 LINES ENERGIZED 2.75 A, 1 LINE ENERGIZED
INSULATION RESISTANCE:	>1X10 ⁹ OHMS AT 500 VDC
WITHSTANDING VOLTAGE:	500 VACrms AT SEA LEVEL
TEMPERATURE RATING:	-55°C TO +125°C

REV	ECO	ISSUE DATE AND DESCRIPTION	DRFT	CHKD
G	73037	OCT 27, 2017 UPDATED PERFORMANCE TABLE REMOVED REV D,E,F HISTORY	SBC	SAN
A	30741	OCT 28, 2010 INITIAL RELEASE	LDS	SF

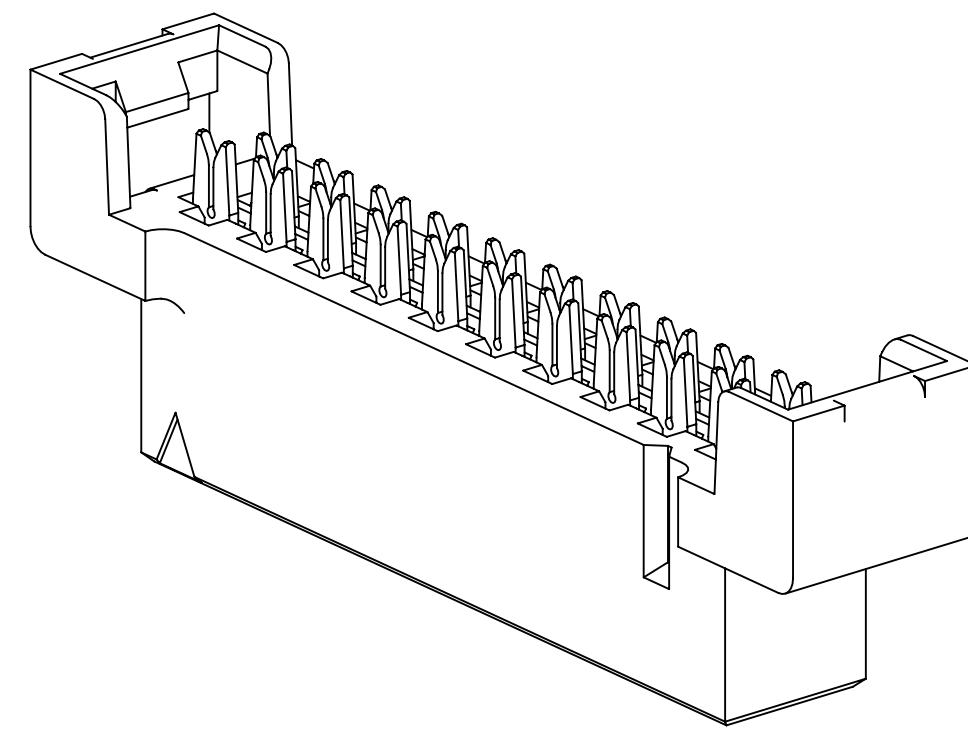
DESIGN REFERENCE	NEXT ASSEMBLY
DO NOT SCALE DRAWING	SCALE 6/1
THIRD ANGLE PROJECTION	TOLERANCES EXCEPT AS NOTED
INTERPRET PER ASME Y14.5 - 2009	INCHES .00 .000 ±.0000
MAX SURFACE ROUGHNESS 125 ALL SURFACES MARKED ONLY	MILLIMETERS 0 ±.2 ±.13 ±.005
ANGLES ±1°	

METRIC [ENGLISH]
CAUS
UL FILE NO: E68080

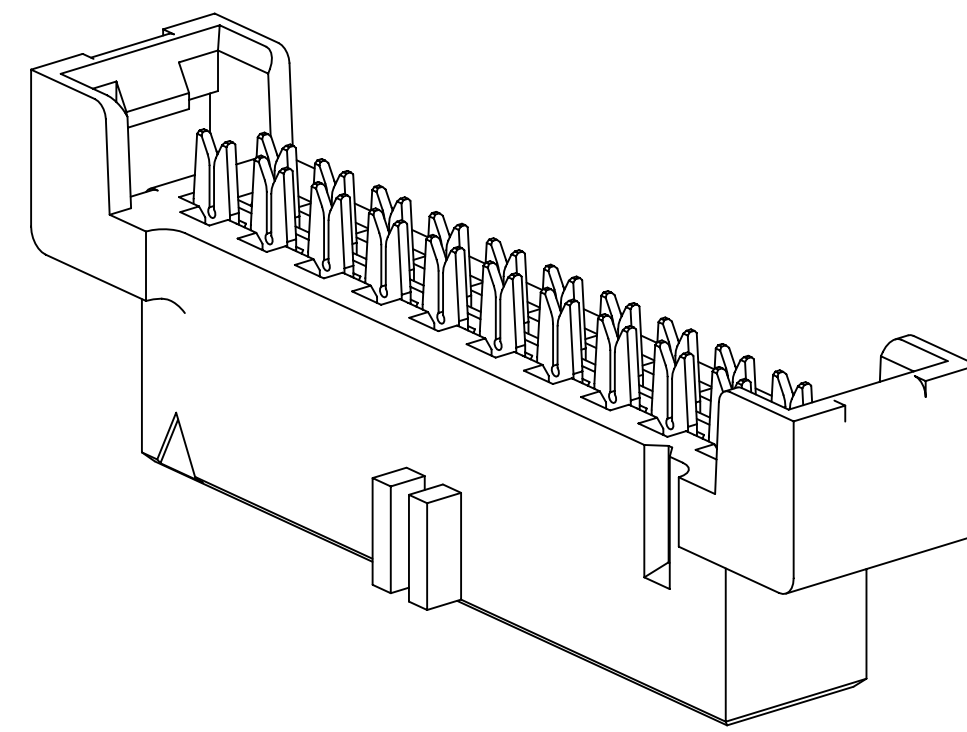
TITLE	CAGE NUMBER	SIZE	DRAWING NO.	REV.
3M RIBBON CABLE SOCKET 2 MM x 2 MM PITCH 158 SERIES	D		78-5100-2358-9	G

3M™ Ribbon Cable Socket 2 mm X 2 mm Pitch 158 Series

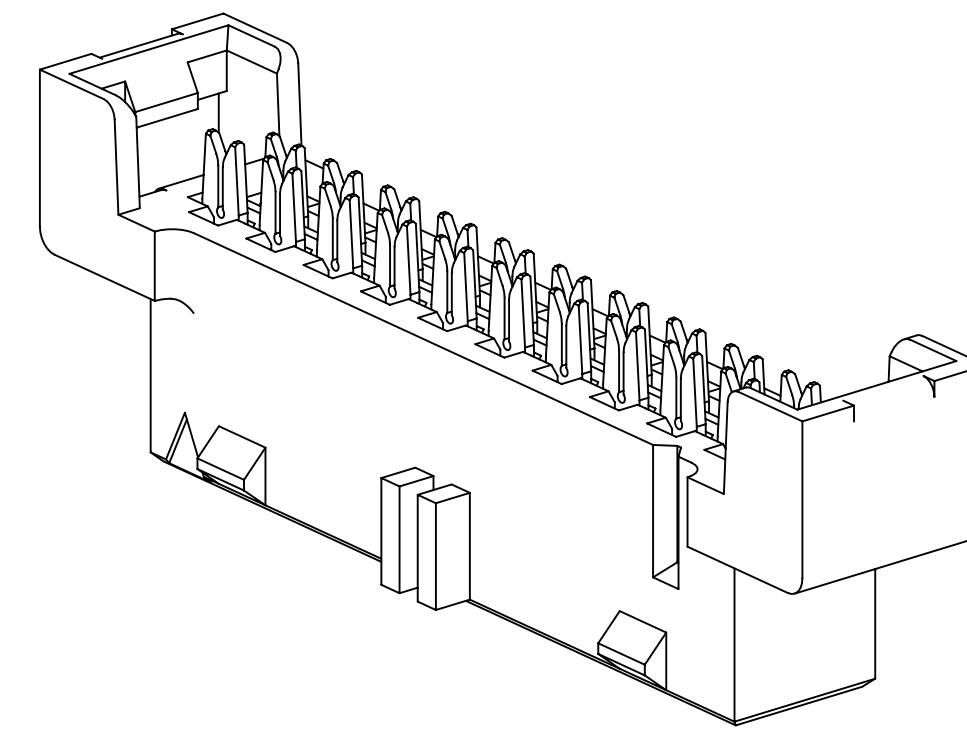
NUMBER OF POSITIONS	DIM A	DIM B	DIM C	DIM D	DIM E	DIM F	DIM G
6	6.39 [.252]	12.64 [.497]	8.98 [.354]	10.81 [.426]	11.32 [.446]	12.64 [.497]	N/A
8	8.39 [.330]	14.64 [.576]	10.98 [.432]	12.81 [.504]	13.32 [.524]	14.64 [.576]	N/A
10	10.39 [.409]	16.64 [.655]	12.98 [.511]	14.81 [.583]	15.32 [.603]	16.64 [.655]	N/A
12	12.39 [.488]	18.64 [.734]	14.98 [.590]	16.81 [.662]	17.32 [.682]	18.64 [.734]	N/A
14	14.39 [.567]	20.64 [.812]	16.98 [.669]	18.81 [.741]	19.32 [.761]	20.64 [.812]	8.00 [.315]
16	16.39 [.645]	22.64 [.891]	18.98 [.747]	20.81 [.819]	21.32 [.839]	22.64 [.891]	10.00 [.394]
20	20.39 [.803]	26.64 [1.049]	22.98 [.905]	24.81 [.977]	25.32 [.997]	26.64 [1.049]	14.00 [.551]
22	22.39 [.882]	28.64 [1.127]	24.98 [.984]	26.81 [1.056]	27.32 [1.076]	28.64 [1.127]	16.00 [.630]
24	24.39 [.960]	30.64 [1.206]	26.98 [1.062]	28.81 [1.134]	29.32 [1.154]	30.64 [1.206]	18.00 [.709]
26	26.39 [1.039]	32.64 [1.285]	28.98 [1.141]	30.81 [1.213]	31.32 [1.233]	32.64 [1.285]	20.00 [.787]
30	30.39 [1.197]	36.64 [1.442]	32.98 [1.299]	34.81 [1.371]	35.32 [1.391]	36.64 [1.442]	24.00 [.945]
34	34.39 [1.354]	40.64 [1.600]	36.98 [1.456]	38.81 [1.528]	39.32 [1.548]	40.64 [1.600]	28.00 [1.102]
40	40.39 [1.590]	46.64 [1.836]	42.98 [1.692]	44.81 [1.764]	45.32 [1.784]	46.64 [1.836]	34.00 [1.339]
44	44.39 [1.748]	50.64 [1.994]	46.98 [1.850]	48.81 [1.922]	49.32 [1.942]	50.64 [1.994]	38.00 [1.496]
50	50.39 [1.984]	56.64 [2.230]	52.98 [2.086]	54.81 [2.158]	55.32 [2.178]	56.64 [2.230]	44.00 [1.732]



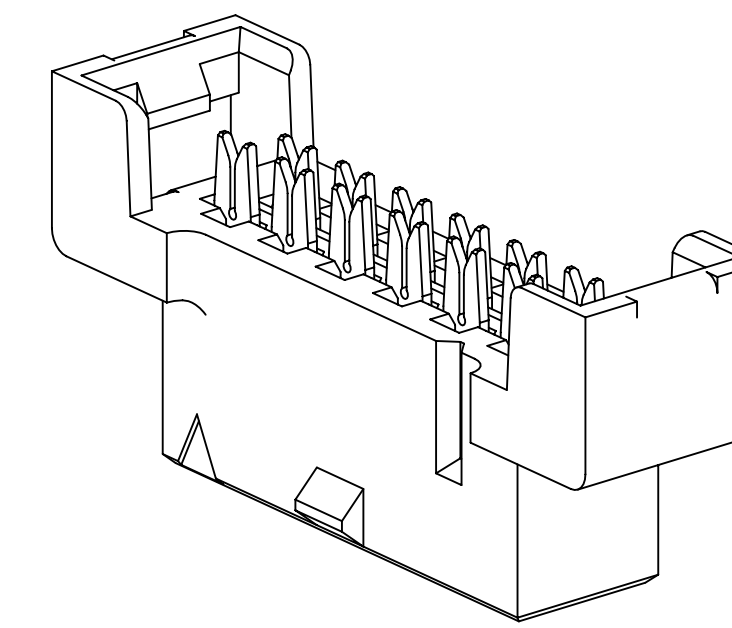
SOCKET WITHOUT OPTIONS
ALL POSITIONS



CENTER BUMP OPTION
ALL POSITIONS



CENTER BUMP WITH
FRICTION BUMP OPTION
14-50 POSITIONS



CENTER FRICTION BUMP OPTION
6-12 POSITIONS ONLY

ORDERING INFORMATION

TIER 1 - BEST
1581XX-1X00
TIER 1 = BEST
POSITION COUNT (SEE TABLE)
PART CONFIGURATION 1 = ADHESIVE COVER
POLARIZATION/LATCHING
1 = WITH CENTER BUMP, NO FRICTION BUMPS (6-50 POS)

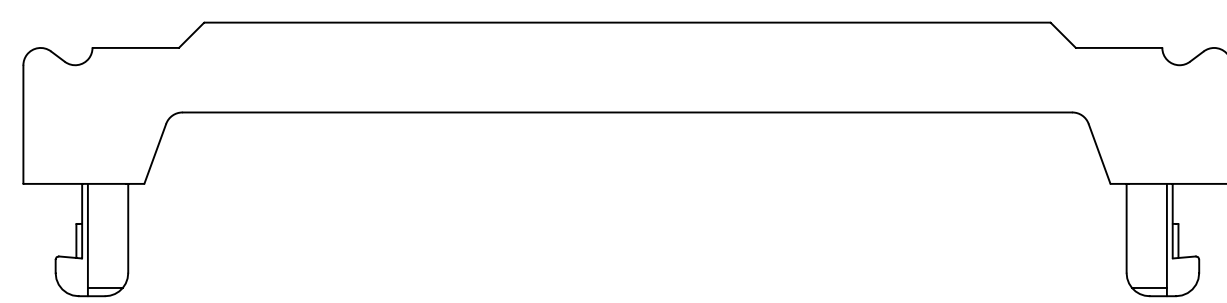
PLATING
BLANK = 0.76 μm [30 μin] GOLD
PACKAGING
0 = TRAY

TIER 2 - BETTER
1582XX-0X20XX
TIER 2 = BETTER
POSITION COUNT (SEE TABLE)
PART CONFIGURATION 0 = PREASSEMBLED COVER
POLARIZATION/LATCHING
0 = NO CENTER BUMP, NO FRICTION BUMPS (6-50 POS)
1 = WITH CENTER BUMP, NO FRICTION BUMPS, (6-50 POS)
2 = WITH CENTER BUMP AND DUAL FRICTION BUMPS (14-50 POS ONLY)
3 = WITH CENTRAL FRICTION BUMP, NO CENTER BUMP (6-12 POS ONLY)

PLATING
BLANK = 0.76 μm [30 μin] GOLD
15 = 0.38 μm [15 μin] GOLD
PACKAGING
2 = SWORDS

TIER 3 - VALUE
1583XX-211015
TIER 3 = VALUE
POSITION COUNT (SEE TABLE)
PART CONFIGURATION 2 = SEPARATE COVER
POLARIZATION/LATCHING
1 = WITH CENTER BUMP, NO FRICTION BUMPS (6-50 POS)

PLATING
15 = 0.38 μm [15 μin] GOLD
PACKAGING
1 = BULK PACK

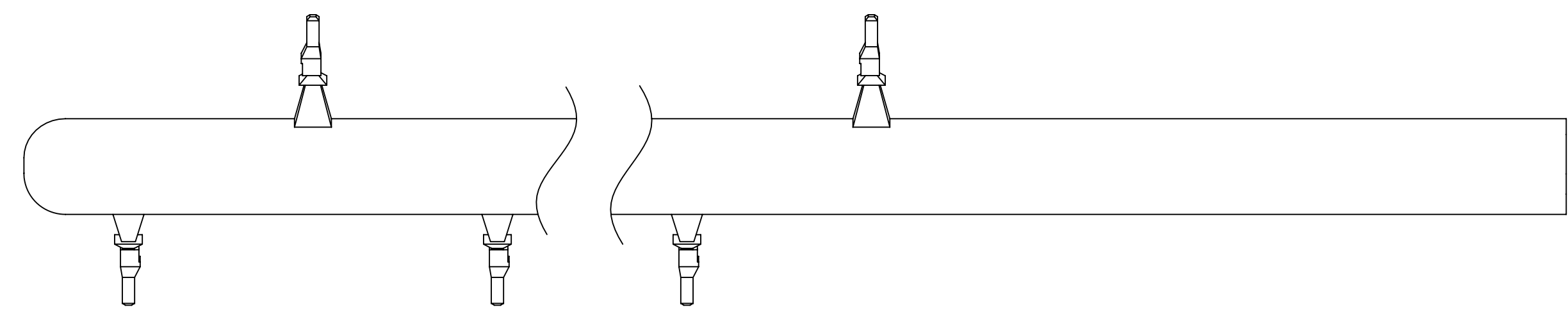


STRAIN RELIEF
3448-158XX
POSITION COUNT (SEE TABLE)

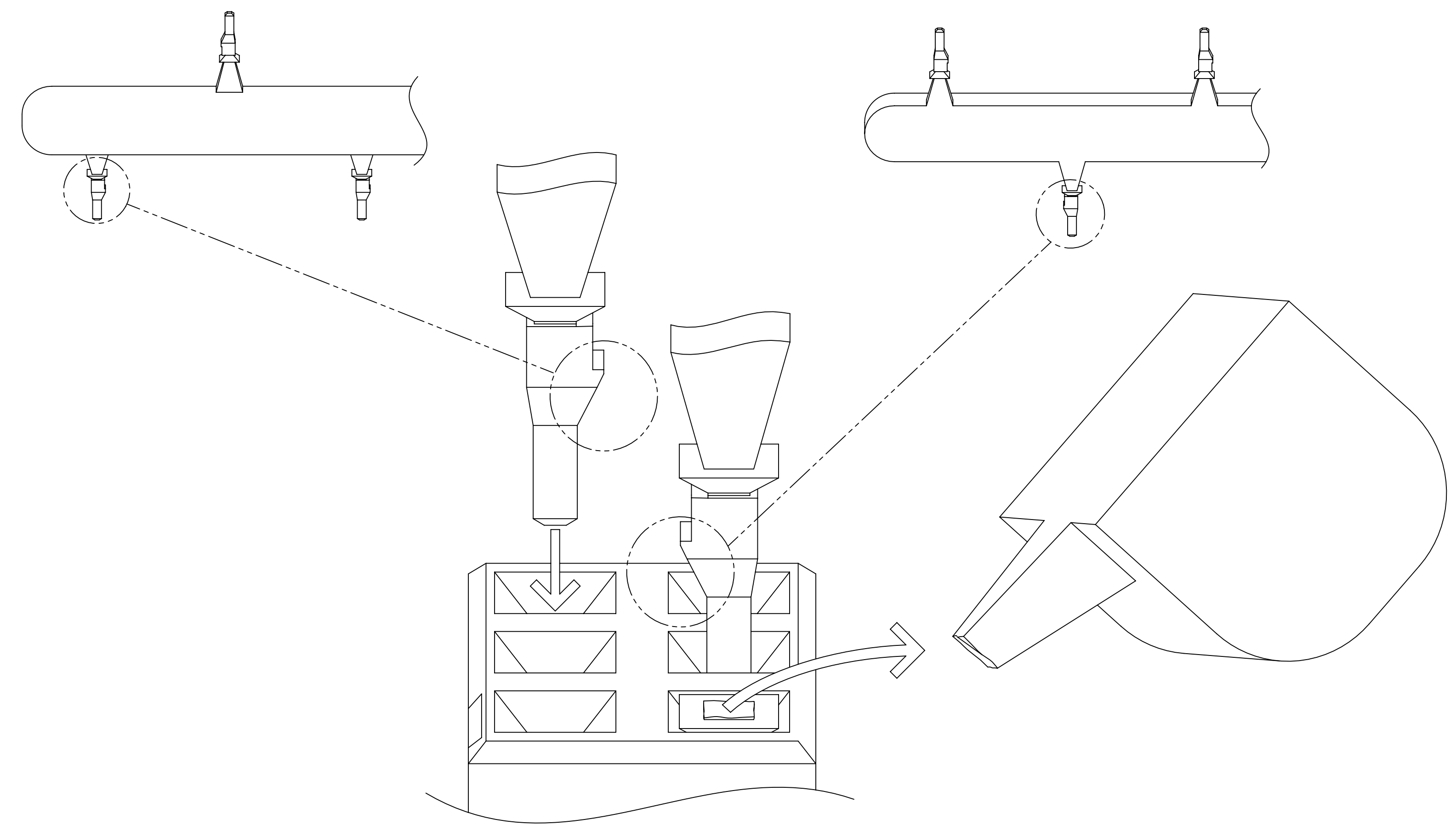
METRIC [ENGLISH]

DESIGN REFERENCE	NEXT ASSEMBLY	REV	ECO	ISSUE DATE AND DESCRIPTION	DRFT	CHKD
		L. SCHMIDT		JUL 23, 2010		
DIVISION		DIVISION CODE		DATE		
DO NOT SCALE DRAWING		SCALE 6/1		TOLERANCES EXCEPT AS NOTED		
THIRD ANGLE PROJECTION		INTERPRET PER ASME Y14.5 - 2009		MILLIMETERS 0 ± 2		
MAX SURFACE ROUGHNESS 125		ALL SURFACES		MILLIMETERS .00 ± .13		
MARKED ONLY		ANGLES ± 1°		INCHES .00 ± .005		
TITLE		CAGE NUMBER		DRAWING NO.		REV.
3M RIBBON CABLE SOCKET 2 MM x 2 MM PITCH 158 SERIES		D 78-5100-2358-9		G		G
MODEL		DET		YES		NO
				SHT 2 OF 3		

3M™ Ribbon Cable Socket 2 mm X 2 mm Pitch 158 Series



POLARIZING KEY
3435-152200



POLARIZING KEY ORIENTATION AND INSTALLATION

RIBBON CABLE SOCKET ACCESSORIES

METRIC [ENGLISH]

DESIGN REFERENCE	NEXT ASSEMBLY	REV	ECO	ISSUE DATE AND DESCRIPTION	DRFT	CHKD
		L. SCHMIDT		JUL 23, 2010		
DIVISION	DIVISION CODE	DRFT	CHKD	DATE	DATE	DATE
				JUL 30, 2010		
DO NOT SCALE DRAWING	SCALE 1/1	TOLERANCES EXCEPT AS NOTED		© 3M COPYRIGHT 2017 This document and the information it contains are 3M property and may not be reproduced or further distributed without 3M permission, or used or disclosed other than for 3M authorized purposes. All rights reserved.		
THIRD ANGLE PROJECTION	INTERPRET PER ASME Y14.5 - 2009	INCHES .00 ± .000 ± .0000 ±		MILLIMETERS 0 ±.2 .0 ±.13 .000 ±.005		
MAX SURFACE ROUGHNESS 125	<input type="checkbox"/> ALL SURFACES	ANGLES ±1°		TITLE 3M RIBBON CABLE SOCKET 2 MM x 2 MM PITCH 158 SERIES		
<input checked="" type="checkbox"/> MARKED ONLY		CAGE NUMBER	SIZE	DRAWING NO.	REV.	
		D		78-5100-2358-9	G	
		MODEL				DET. <input type="checkbox"/> YES <input checked="" type="checkbox"/> NO SHT 3 OF 3

3M™ Ribbon Cable Socket 2 mm X 2 mm Pitch 158 Series

Technical Information: The technical information, recommendations and other statements contained in this document are based upon tests or experience that 3M believes are reliable, but the accuracy or completeness of such information is not guaranteed.


Product Use: Many factors beyond 3M's control and uniquely within user's knowledge and control can affect the use and performance of a 3M product in a particular application. Given the variety of factors that can affect the use and performance of a 3M product, user is solely responsible for evaluating the 3M product and determining whether it is fit for a particular purpose and suitable for user's method of application.

Warranty, Limited Remedy, and Disclaimer: Unless an additional warranty is specifically stated on the applicable 3M product packaging or product literature, 3M warrants that each 3M product meets the applicable 3M product specification at the time 3M ships the product. 3M MAKES NO OTHER WARRANTIES OR CONDITIONS, EXPRESS OR IMPLIED, INCLUDING, BUT NOT LIMITED TO, ANY IMPLIED WARRANTY OR CONDITION OF MERCHANTABILITY OR FITNESS FOR A PARTICULAR PURPOSE OR ANY IMPLIED WARRANTY OR CONDITION ARISING OUT OF A COURSE OF DEALING, CUSTOM OR USAGE OF TRADE. If the 3M product does not conform to this warranty, then the sole and exclusive remedy is, at 3M's option, replacement of the 3M product or refund of the purchase price.

Limitation of Liability: Except where prohibited by law, 3M will not be liable for any loss or damage arising from the 3M product, whether direct, indirect, special, incidental or consequential, regardless of the legal theory asserted, including warranty, contract, negligence or strict liability.

3M ELECTRONICS MATERIALS SOLUTIONS DIVISION
 INTERCONNECT SOLUTIONS
<http://www.3m.com/Interconnect>

3M IS A TRADEMARK OF 3M COMPANY.
 FOR TECHNICAL, SALES OR ORDERING
 INFORMATION CALL 800-225-5373

DESIGN REFERENCE	NEXT ASSEMBLY	REV	ECO	ISSUE DATE AND DESCRIPTION	DRFT	CHKD
		A		OCT 28, 2010 INITIAL RELEASE	LDS	SF
		G		OCT 27, 2017 UPDATED PERFORMANCE TABLE REMOVED REV D,E,F HISTORY	SBC	SAN
DO NOT SCALE DRAWING	SCALE 1/1	TOLERANCES EXCEPT AS NOTED		 © 3M COPYRIGHT 2017 This document and the information it contains are 3M property and may not be reproduced or further distributed without 3M permission, or used or disclosed other than for 3M authorized purposes. All rights reserved.		
THIRD ANGLE PROJECTION	INTERPRET PER ASME Y14.5 - 2009	MILLIMETERS		TITLE 3M RIBBON CABLE SOCKET 2 MM x 2 MM PITCH 158 SERIES		
MAX SURFACE ROUGHNESS 125	<input type="checkbox"/> ALL SURFACES	INCHES		CAGE NUMBER D 78-5100-2358-9		
	<input checked="" type="checkbox"/> MARKED ONLY	ANGLES ±1°		DRAWING NO. 78-5100-2358-9		
				REV. G		
				MODEL DET Ists <input type="checkbox"/> YES <input checked="" type="checkbox"/> NO SHT 3 OF 3		

78-5100-2358-9
 DRAWING NUMBER
 6
 REVISION
 10/27/2017 UTC
 Standard Time
 Central
 6.1
 Imaged:

X-ON Electronics

Largest Supplier of Electrical and Electronic Components

Click to view similar products for [Headers & Wire Housings](#) category:

Click to view products by [3M](#) manufacturer:

Other Similar products are found below :

[892-18-020-10-001101](#) [58102-G61-06LF](#) [582553-1](#) [0009485154](#) [009176003701906](#) [0050291907](#) [LY20-4P-DT1-P1E-BR](#) [02.125.8002.8](#)
[609-3404](#) [61062-3](#) [622-0430](#) [622-3653LF](#) [63453-116](#) [636-1030](#) [636-1427](#) [636-3427](#) [636-4007](#) [641938-9](#) [641991-4](#) [644827-2](#) [65817-010LF](#)
[65817-015LF](#) [65863-015LF](#) [66207-023LF](#) [67095-007LF](#) [67601157](#) [68648-049](#) [70.362.1628.0](#) [70-4210](#) [70-4226B](#) [70-4853B](#) [707-5020](#) [707-](#)
[5028](#) [71.350.2428.0](#) [71918-208LF](#) [71961-016LF](#) [733-134](#) [733-162](#) [754199-000](#) [760-3052](#) [787-8014-00](#) [79531-3000](#) [FCN-360C032-B](#) [FCN-](#)
[367T-T012/H](#) [FCN-723D010/2](#) [80.063.4001.1](#) [800-90-001-10-001000](#) [800-90-010-10-002000](#) [801-43-002-10-013000](#) [801-43-006-10-002000](#)