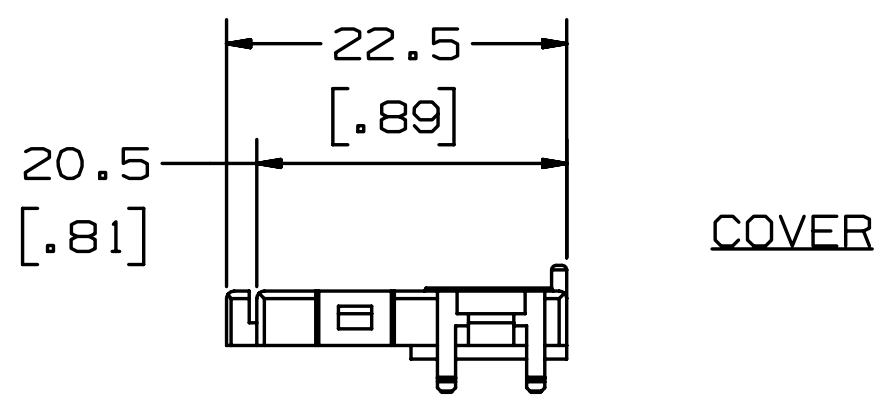
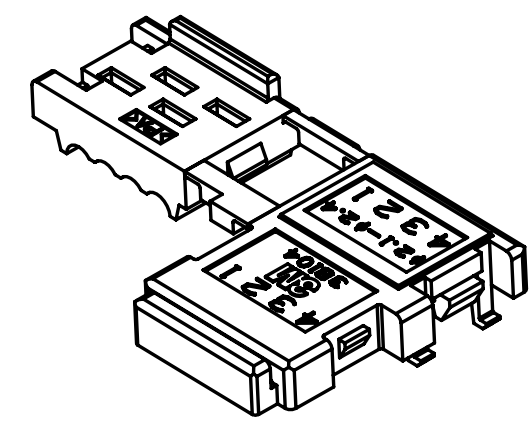
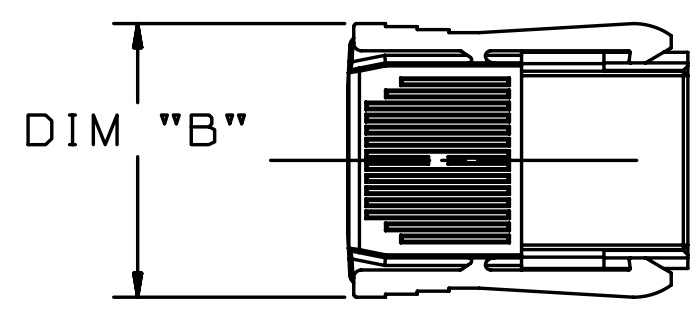
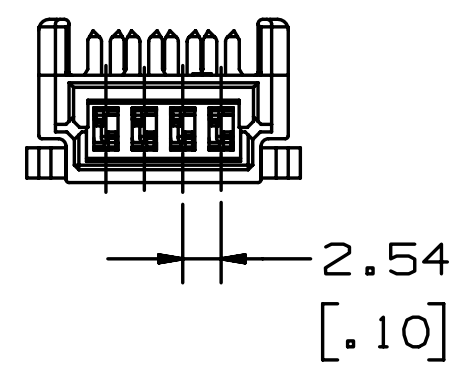
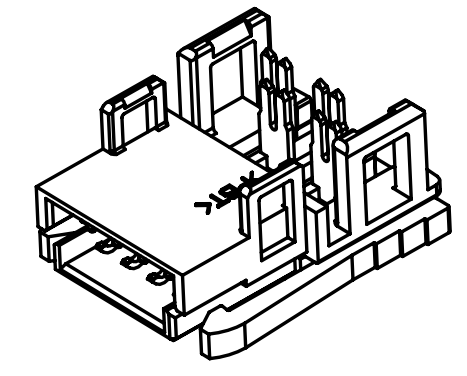
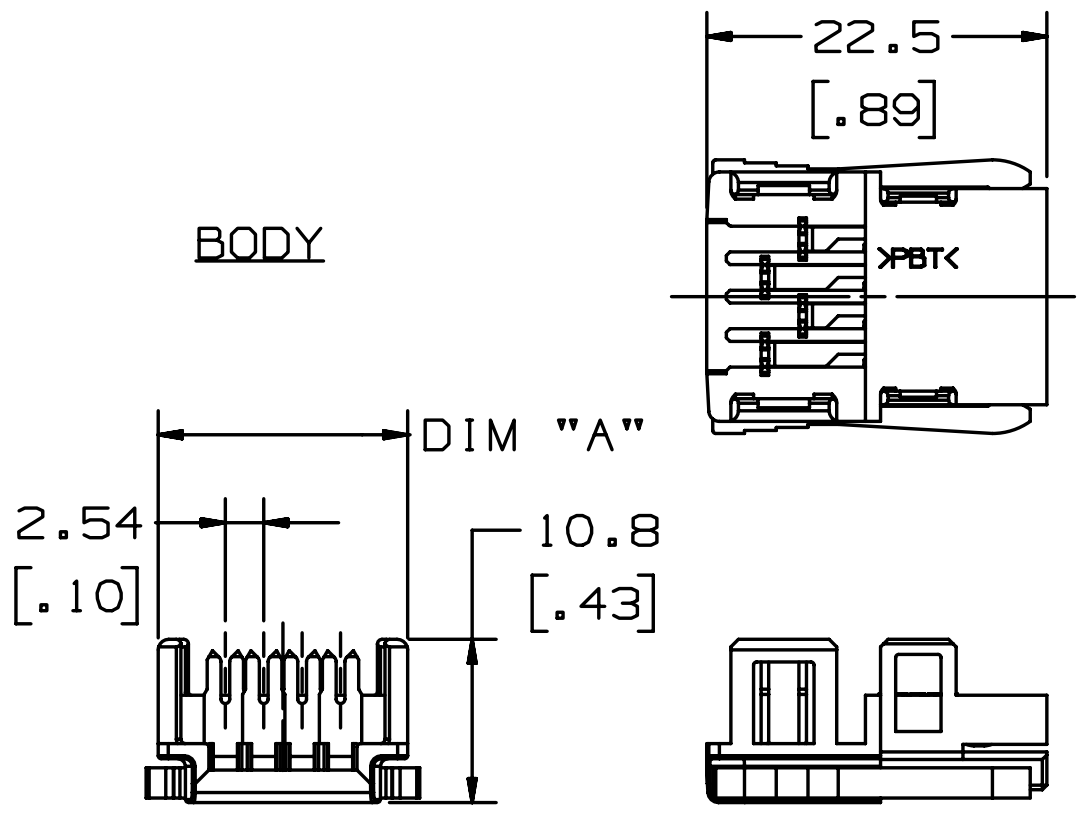


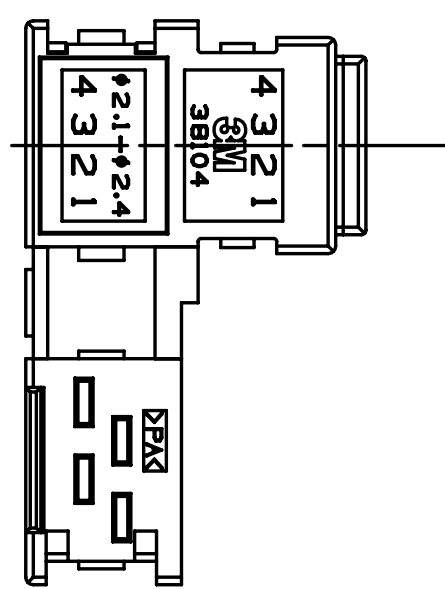
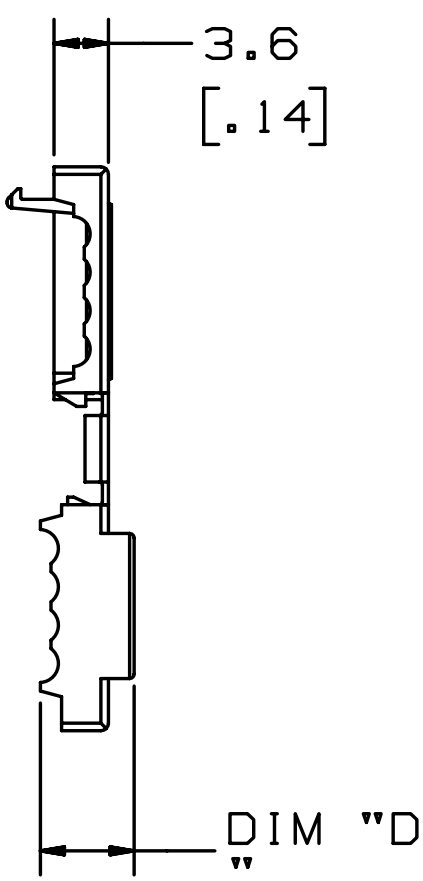
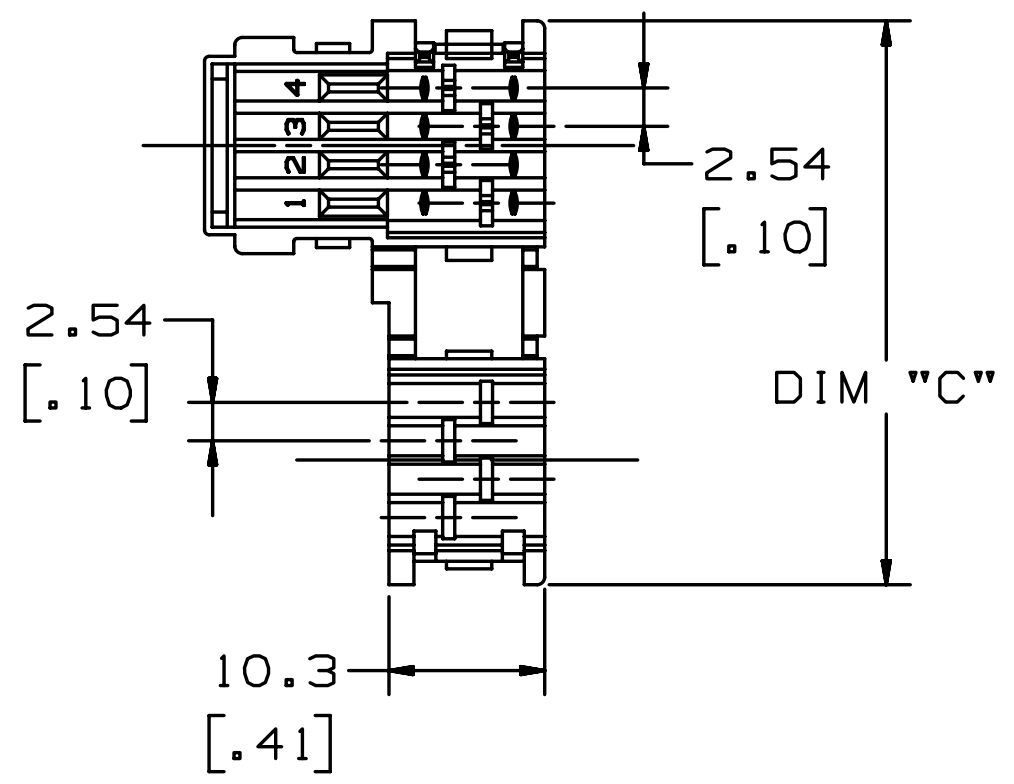
3M™ LINK CONNECTOR, 2.54mm[.100"], WIREMOUNT, HERMAPHRODITIC, 381 SERIES

Notes:

- 1) Material:
 Body: PBT, UL94V-0
 Cover: Nylon
 Contacts: Copper Alloy
- 2) Plating:
 1.27 μm Nickel underplate
 0.2 μm min. Gold with Lubricant in wiping area
 Nickel on IDC
- 3) Wire Accommodation:
 18 AWG [0.75mm²] Tinned, solid, 7 or 19 stranded, PVC
 20 AWG [0.50mm²] Tinned, solid, 7 stranded, PVC
 22 AWG [0.30mm²] Tinned, solid, 7 stranded, PVC
- 4) Marking:
 3M Logo, Part Number, Position Identification'
 Insulator Material
- 5) Mating Compatibility: 381 and 382 SERIES
- 6) Regulatory:
 UL File No.: E68080 (18 AWG only)
- RoHS Compliant:
 See the Regulatory Information Appendix (RIA) in the "RoHS Compliance" section of www.3MConnector.com for compliance information. (RIA E1 & C1 apply).
- 7) Reference Related Documents:
 Product Specification:
 3M Doc. ID# 78-5102-0091-4
 Tooling and Installation Instructions:
 3M Doc. ID# 78-9101-5361-4



| Performance: | |
|------------------------|---------------------------------------|
| Current Rating: | 5.0A |
| Voltage Rating: | 160V |
| Insulation Resistance: | > 1 x 10 ⁸ Ohms at 500 VDC |
| Withstanding Voltage: | 1000VACrms at sea level |
| Operating Temperature: | -20°C to +70°C |
| UL Temperature Rating: | +65°C |



| | |
|------------------------|----------------------------|
| DESIGN REFERENCE | NEXT ASSEMBLY |
| DISTRIBUTION CODES | DRFT |
| | MWL |
| | CHKD |
| DIVISION | DIVISION CODE |
| Interconnect Solutions | ISD |
| DO NOT SCALE DRAWING | SCALE 4/1 |
| | TOLERANCES EXCEPT AS NOTED |
| | INCHES |
| | .0 ± |
| | .00 ± |
| | .000 ± |
| | .0000 ± |
| | MILLIMETERS |
| | 0 ± |
| | .0 ± .3 |
| | .00 ± .13 |
| | .000 ± |
| | ANGLES ±1° |

| | | | | |
|---|-------|----------------------------|------|------|
| E | 36079 | SEP 09, 2011 | MWL | SAN |
| CONVERT TO NEW ENG. FORMAT, ADD 2 POSITION PART | | | | |
| REV | ECO | ISSUE DATE AND DESCRIPTION | DRFT | CHKD |
| | | DATE | | |
| | | DATE | | |
| 3M Center St. Paul, MN 55144 | | | | |
| © 3M COPYRIGHT 2011 This document and the information it contains are 3M property and may not be reproduced or further distributed without 3M permission, or used or disclosed other than for 3M authorized purposes. All rights reserved. | | | | |
| TITLE | | | | |
| 2.54mm[.100"] LINK WIREMOUNT, HERMAPHRODITIC 381 | | | | |
| CAGE NUMBER | SIZE | DRAWING NO. | REV. | |
| | C | 78-5100-2098-1 | E | |
| MODEL | | | | |
| DET. <input type="checkbox"/> LISTS <input type="checkbox"/> YES <input checked="" type="checkbox"/> NO | | | | |
| SHT 1 OF 2 | | | | |

78-5100-2098-1
DRAWING NUMBER
E
REVISION

3M™ LINK CONNECTOR, 2.54mm[.100"], WIREMOUNT, HERMAPHRODITIC, 381 SERIES

PART ORDERING INFORMATION

3810X-X0XX-X0X FL (RIA E1 & C1 APPLY)

NUMBER OF POSITIONS:
2 = 2 POSITION
4 = 4 POSITION

COVER SHAPE:

3M
0 = 2.54mm FLAT CABLE
E = DISCRETE WIRE 2.1 - 2.4mm DIA
F = DISCRETE WIRE 1.8 - 2.1mm DIA
W = DISCRETE WIRE 1.4 - 1.7mm DIA
H = DISCRETE WIRE 1.1 - 1.4mm DIA

CC Link/LT

M = 2.54mm FLAT CABLE
A = DISCRETE WIRE 2.1 - 2.4mm DIA
B = DISCRETE WIRE 1.8 - 2.1mm DIA

MARKING
0 = 3M
M = CC-Link/LT

COLOR:
SEE TABLE 1 SHT 2

WIRE AWG:
18
20
22

AVAILABLE PRODUCTS

| PART NUMBER | COVER SHAPE O.D./WIRE TYPE | WIRE SIZE AWG/mm ² | DIM "A" | DIM "B" | DIM "C" | DIM "D" | MARKING/SHAPE | COLOR | | |
|-------------------|-------------------------------|----------------------------------|------------|------------|------------|------------|---------------|-------|---------|------|
| | | | | | | | | BODY | COVER | CODE |
| 38104-0018-000 FL | 2.54 FLAT CABLE | 18 / 0.75 | 16.5 | 18.1 | 37.3 | 6.2 | 3M | BLACK | BLACK | 0 |
| 38104-E018-E00 FL | 2.1 - 2.4 DISCRETE | 18 / 0.75 | 16.5 | 18.1 | 37.3 | 6.2 | 3M | BLACK | ORANGE | E |
| 38104-F018-F00 FL | 1.8 - 2.1 DISCRETE | 18 / 0.75 | 16.5 | 18.1 | 37.3 | 6.2 | 3M | BLACK | YELLOW | F |
| 38104-0020-100 FL | 2.54 FLAT CABLE | 20 / 0.50 | 16.5 | 18.1 | 37.3 | 6.2 | 3M | GRAY | BLACK | I |
| 38104-E020-G00 FL | 2.1 - 2.4 DISCRETE | 20 / 0.50 | 16.5 | 18.1 | 37.3 | 6.2 | 3M | GRAY | ORANGE | G |
| 38104-F020-H00 FL | 1.8 - 2.1 DISCRETE | 20 / 0.50 | 16.5 | 18.1 | 37.3 | 6.2 | 3M | GRAY | YELLOW | H |
| 38104-H022-K00 FL | 1.1 - 1.4 DISCRETE | 22 / 0.30 | 11.5 | 13.1 | 27.3 | 5.4 | 3M | WHITE | WHITE | K |
| 38104-M018-M0M FL | 2.54 FLAT CABLE | 18 / 0.75 | 16.5 | 18.1 | 37.3 | 6.2 | CC Link/LT | BLUE | BLUE | M |
| 38104-A018-A0M FL | 2.1 - 2.4 DISCRETE | 18 / 0.75 | 16.5 | 18.1 | 37.3 | 6.2 | CC Link/LT | BLUE | D.GREEN | A |
| 38104-B018-B0M FL | 1.8 - 2.1 DISCRETE | 18 / 0.75 | 16.5 | 18.1 | 37.3 | 6.2 | CC Link/LT | BLUE | L.GREEN | B |
| 38102-0018-000 FL | 2.54 FLAT CABLE | 18 / 0.75 | 11.5 | 13.1 | 27.3 | 6.2 | 3M | BLACK | BLACK | O |
| 38102-F020-H00 FL | 1.8 - 2.1 DISCRETE | 20 / 0.50 | 11.5 | 13.1 | 27.3 | 6.2 | 3M | GRAY | YELLOW | H |
| 38102-W022-W00 FL | 1.4 - 1.7 DISCRETE | 22 / 0.30 | 11.5 | 13.1 | 27.3 | 5.4 | 3M | WHITE | PINK | W |

| | | | | | |
|---|-----|--|---|--|------|
| REV | E | 36079 | SEP 09, 2011 | MWL | SAN |
| | | | CONVERT TO NEW ENG. FORMAT, ADD 2 POSITION PART | | |
| REV | ECO | ISSUE DATE AND DESCRIPTION | | DRFT | CHKD |
| DRFT | MWL | DATE | AUG 30, 2011 | MFG | DATE |
| CHKD | | DATE | | APPVL | DATE |
| DESIGN REFERENCE DISTRIBUTION CODES | | NEXT ASSEMBLY | | DIVISION Interconnect Solutions | |
| DO NOT SCALE DRAWING | | SCALE 4 1 | | DIVISION CODE ISD | |
| THIRD ANGLE PROJECTION | | TOLERANCES EXCEPT AS NOTED | | INCHES .0 ± .00 ± .000 ± .0000 ± | |
| INTERPRET PER ASME Y14.5 - 1994 | | MILLIMETERS 0 ± .0 ±.3 .00 ±.13 .000 ± | | TITLE 2.54mm[.100"] LINK WIREMOUNT, HERMAPHRODITIC 381 | |
| MAX SURFACE ROUGHNESS 125 <input checked="" type="checkbox"/> ALL SURFACES <input checked="" type="checkbox"/> MARKED ONLY | | ANGLES ±1° | | CAGE NUMBER C 78-5100-2098-1 | |
| | | DRAWING NO. 78-5100-2098-1 | | REV. E | |
| | | MODEL | | DET. <input type="checkbox"/> LISTS <input type="checkbox"/> YES <input checked="" type="checkbox"/> NO SHT 2 OF 2 | |

78-5100-2098-1
DRAWING NUMBER
E
REVISION

X-ON Electronics

Largest Supplier of Electrical and Electronic Components

Click to view similar products for [3M manufacturer](#):

Other Similar products are found below :

[SC401U](#) [98-0003-3071-6](#) [FP301-3/16-48"-RED-HDR-25 PCS](#) [929665-01-03-EU](#) [929710-10-07-RK](#) [N3428-6003RB](#) [2516-6002UG](#) [00-054007-70220-7](#) [00-054007-34717-0](#) [021200-40230](#) [6-5-F9460PC](#) [6840-2X50-GRAY](#) [701-W](#) [FDV14-187C](#) [FE-5100-5290-8](#) [812510-1008204-3LFM](#) [MNG14BCX](#) [FP301-1-6"-Clear](#) [FP301-1/8-6"-Black](#) [FP301-2-48"-Black-Bulk](#) [FV14-6C](#) [920102-01-25-R](#) [923835-BK-C](#) [927739-40](#) [929835-01-28-RK](#) [929974-01-40-R](#) [951240-2520-AR-PR](#) [960X/980X](#) [98-0003-3075-7](#) [1/2-5-5430](#) [1/2-5-850S](#) [1/2-5-3431](#) [1/2-5-850R](#) [12X12-6-4056B](#) [12X12-6-433](#) [12X12-6-4930](#) [13-38-P](#) [13-500-NB](#) [1-4-4658F](#) [DSTK9013-3420](#) [DSTK9015-3402](#) [14B26-SZLB-A00-0LC](#) [14T50-SZWB-100-0NC](#) [152244-0110-GB](#) [1-5-3437](#) [1-5-4496W](#) [1-5-4943F](#) [1-5-363](#) [1-5-5451](#)