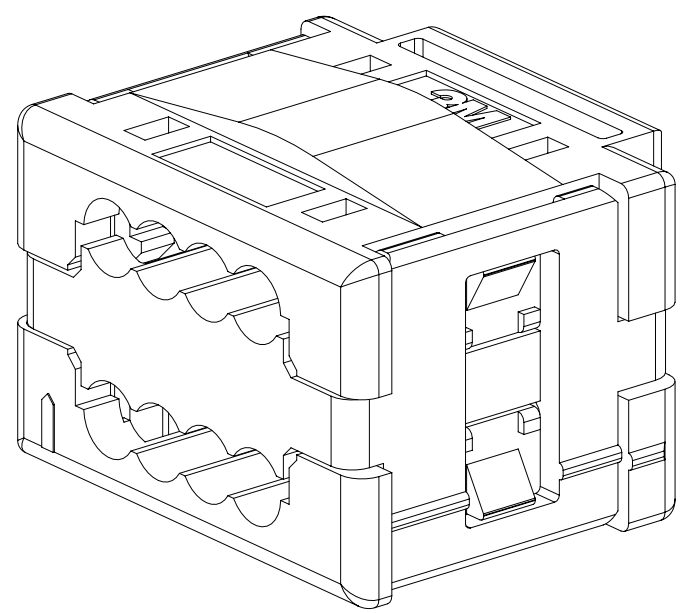


# 3M™ ONE PIECE BRANCH LINK WIREMOUNT CONNECTOR, 387 SERIES

NOTES

- REGULATORY INFORMATION:  
VISIT 3M.com/regs
- IN THE EVENT OF CONFLICT BETWEEN THIS DATA AND THAT CONTAINED IN THE PRODUCT SPECIFICATION, THE PRODUCT SPECIFICATION TAKES PRECEDENT.

- \* ONE PIECE BRANCH LINK CONNECTOR, 387 SERIES ENABLES BRANCHING INTO THE MAIN NETWORK WIRE (20 TO 16 AWG) WITH A ONE PIECE CONNECTOR THAT IS FIELD-TERMINABLE AND REQUIRES NO SPECIAL EQUIPMENT.
- \* THE FIELD-TERMINABILITY PROVIDES THE ABILITY TO OPTIMIZE THE SYSTEM ROUTING.
- \* THE ONE PIECE CONNECTOR DESIGN REDUCES INSTALLED SYSTEM SPACE AND REQUIRES LESS PARTS TO MANAGE DURING THE INSTALLATION.



-FF880

## 2 PHYSICAL :

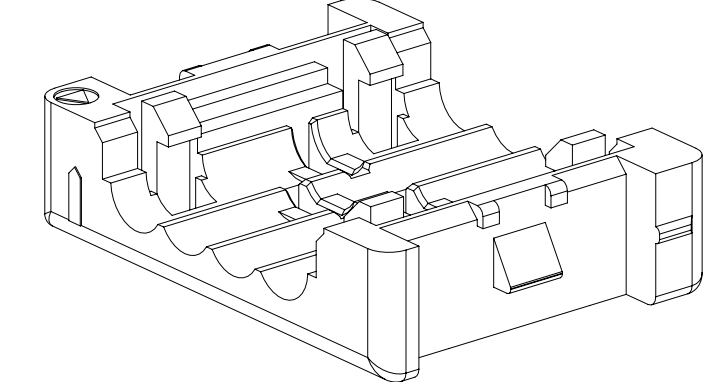
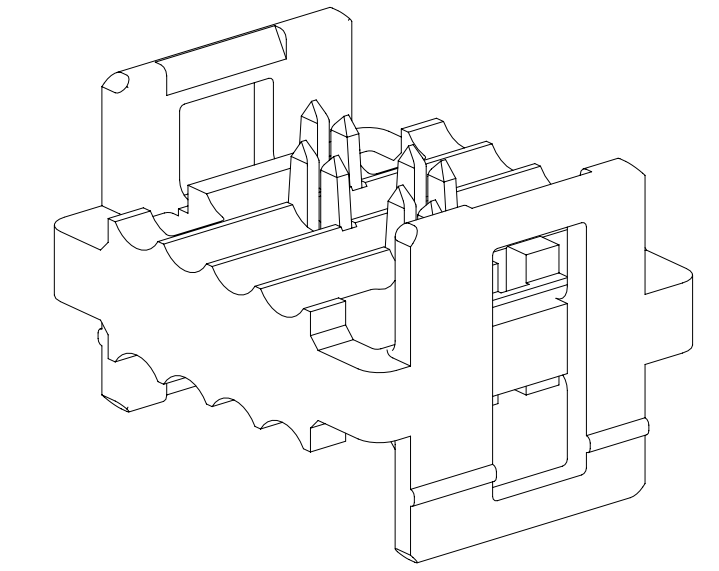
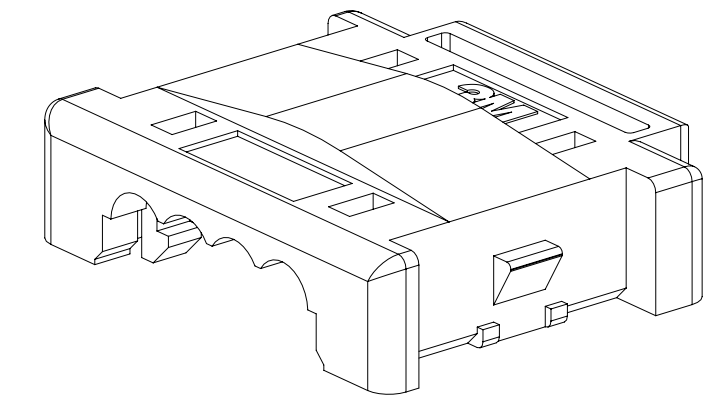
INSULATION:  
 BODY: PBT/PBT PLASTIC  
 COVER: PBT/PBT PLASTIC  
 FLAMMABILITY: UL94V-0  
 COLOR: SEE ORDERING INFO.  
 CONTACT:  
 MATERIAL: COPPER ALLOY  
 PLATING:  
 UNDER PLATING: 4.0µm AVG. NICKEL-OVERALL  
 MARKINGS: 3M LOGO, POSITION INDICATOR, WIRE GAUGE AND INSULATOR MATERIAL

## 2 ELECTRICAL :

CURRENT RATING: 3.0 AMPS  
 INSULATION RESISTANCE: >1 X 10<sup>9</sup>Ω AT 500 V<sub>DC</sub>  
 WITHSTANDING VOLTAGE: 1,000V<sub>RMS</sub> AT SEA LEVEL  
 VOLTAGE RATING: 32 VOLTS

## 2 ENVIRONMENTAL :

TEMPERATURE RATING: 20°C TO +85°C AMBIENT (1.0A MAX.)  
 -20°C TO +75°C AMBIENT (2.0A MAX.)  
 -20°C TO +60°C AMBIENT (3.0A MAX.)



PRE-ASSEMBLY

## ORDERING INFORMATION

38704-FF880

SERIES No. | BODY AND COVER COLOR  
 BODY (BLACK), CONTACTS (TYPE 3)  
 BRANCH COVER (GRAY), MAIN COVER (BLACK)

3M ELECTRONICS MATERIALS SOLUTIONS DIVISION  
 INTERCONNECT SOLUTIONS  
<http://www.3M.com/interconnect>

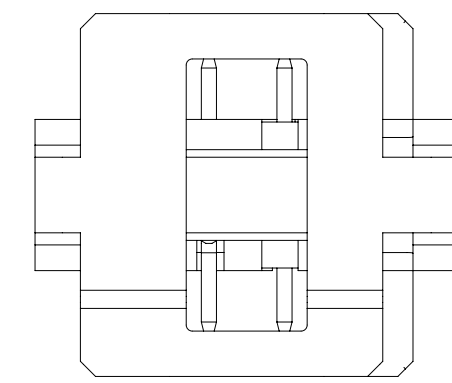
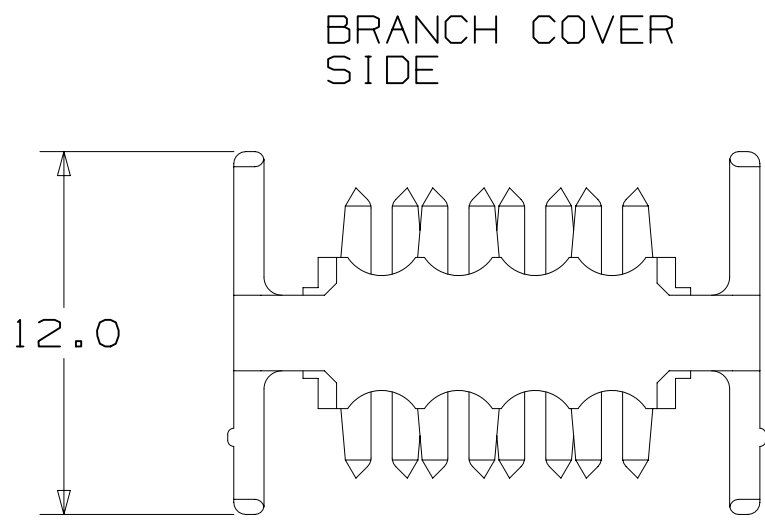
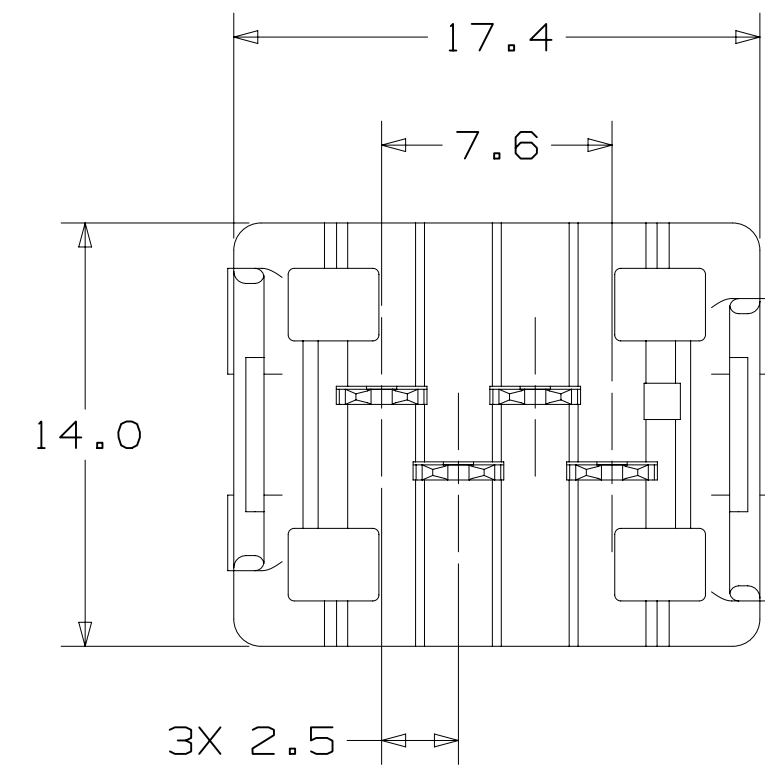
3M IS A TRADEMARK OF 3M COMPANY.  
 FOR TECHNICAL, SALES OR ORDERING  
 INFORMATION CALL 800-225-5373

MM		
TOLERANCE - UNLESS NOTED		
	X.X	X.XX
MM	±0.3	±0.10

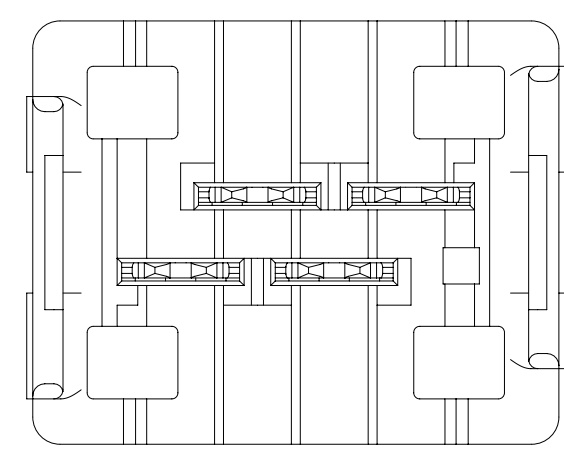
DESIGN REFERENCE	NEXT ASSEMBLY	REV	ECO	ISSUE DATE AND DESCRIPTION	DRFT	CHKD
				DEC 16, 2020		
DIVISION		DIVISION CODE		DATE		
EMSD		EMSD		DEC 16, 2019		
DO NOT SCALE DRAWING	SCALE 4/1	TOLERANCES EXCEPT AS NOTED				
THIRD ANGLE PROJECTION	INTERPRET PER ASME Y14.5 - 2009	MILLIMETERS		© 3M COPYRIGHT 2020 This document and the information it contains are 3M property and may not be reproduced or further distributed without 3M permission, or used or disclosed other than for 3M authorized purposes. All rights reserved.		
MAX SURFACE ROUGHNESS	DTX SURFACES	INCHES		TITLE ONE PIECE BRANCH LINK WIREMOUNT CONNECTOR, 387 SERIES		
MARKED ONLY	ANGLES	CAGE NUMBER	SIZE	DRAWING NO.	REV.	
		D		78-5100-2698-8	A	
		MODEL		387	DET	ISTS YES NO SHT 1 OF 3

A REVISION  
 78-5100-2698-B DRAWING NUMBER  
 B  
 UTC  
 Drt-set  
 Time 2/19/2020 --

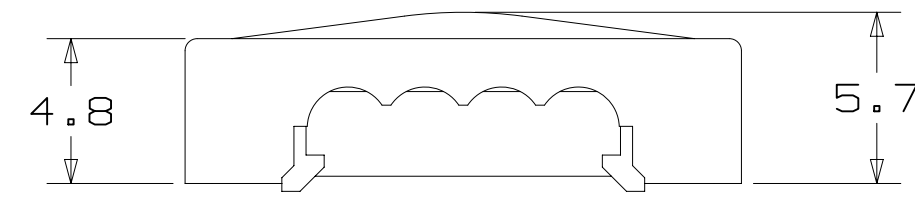
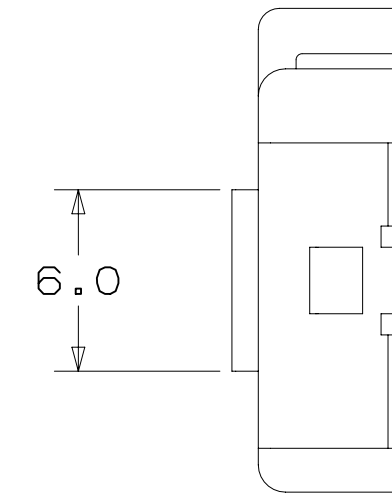
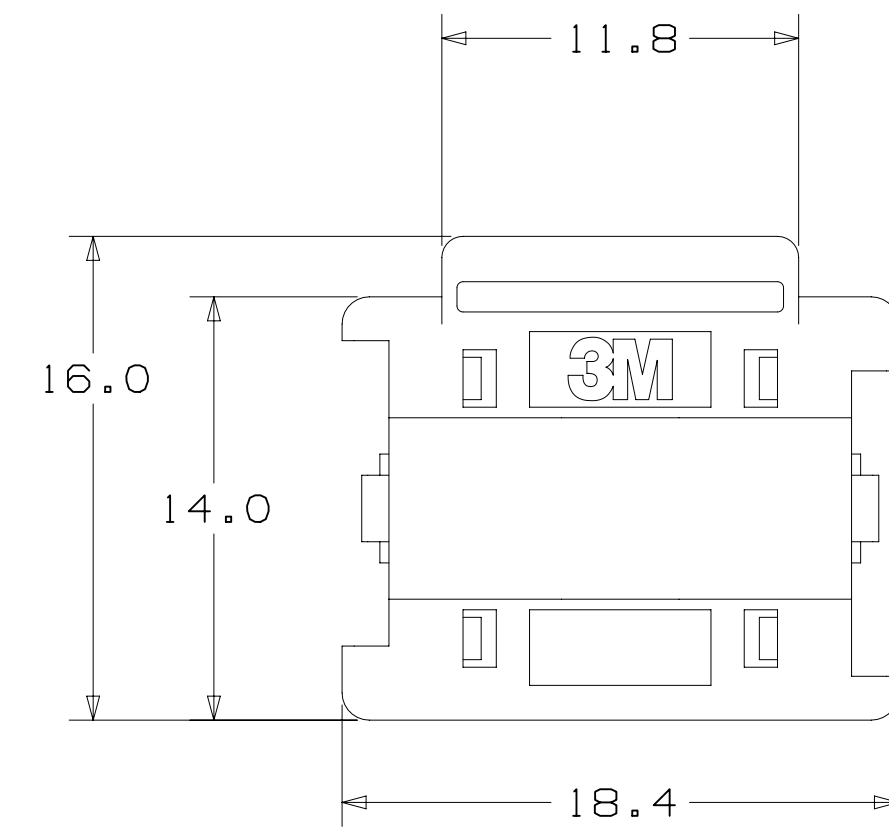
# 3M™ ONE PIECE BRANCH LINK WIREMOUNT CONNECTOR, 387 SERIES



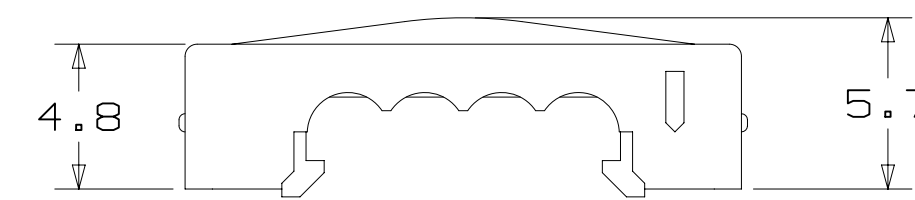
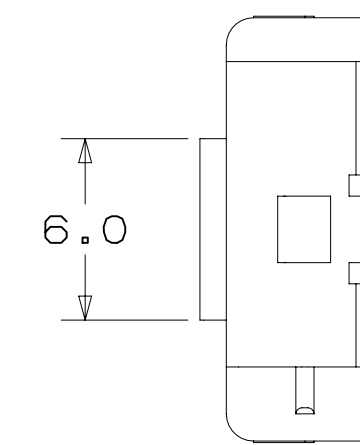
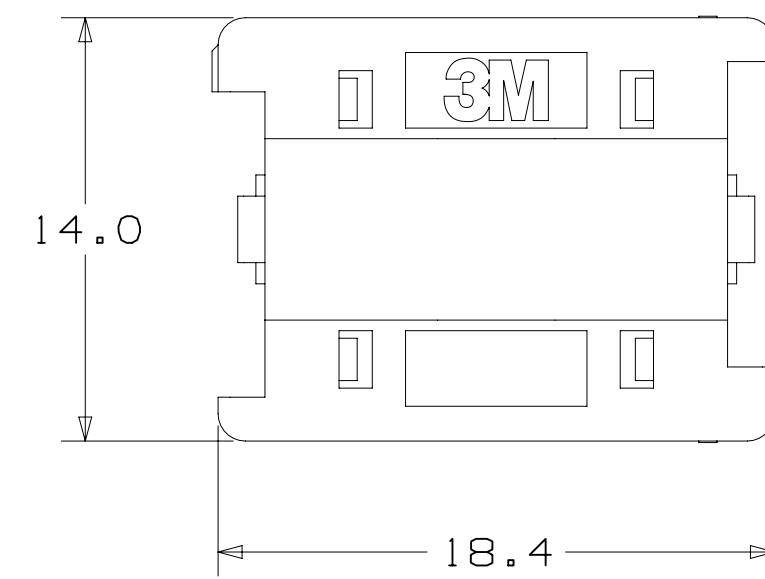
MAIN COVER SIDE



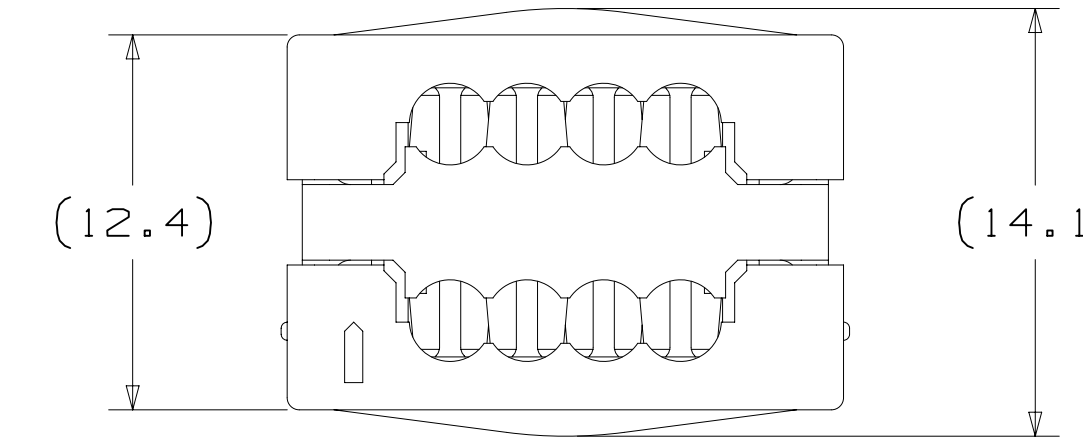
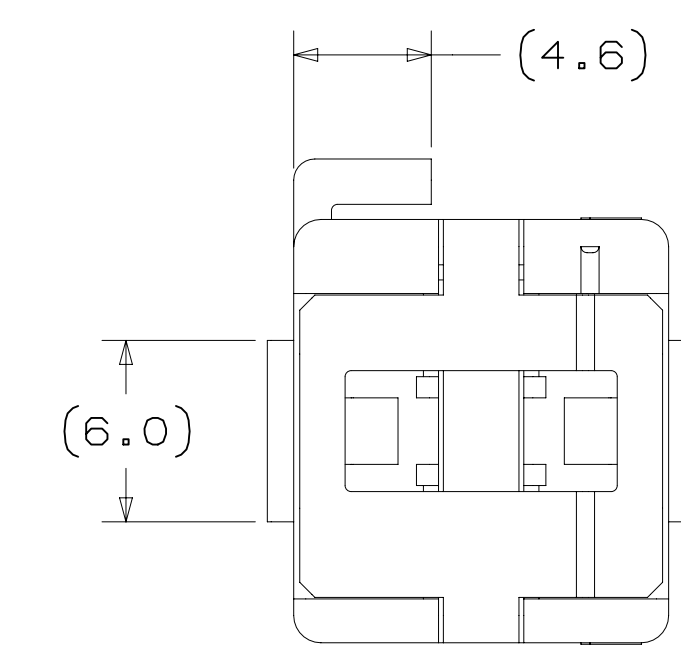
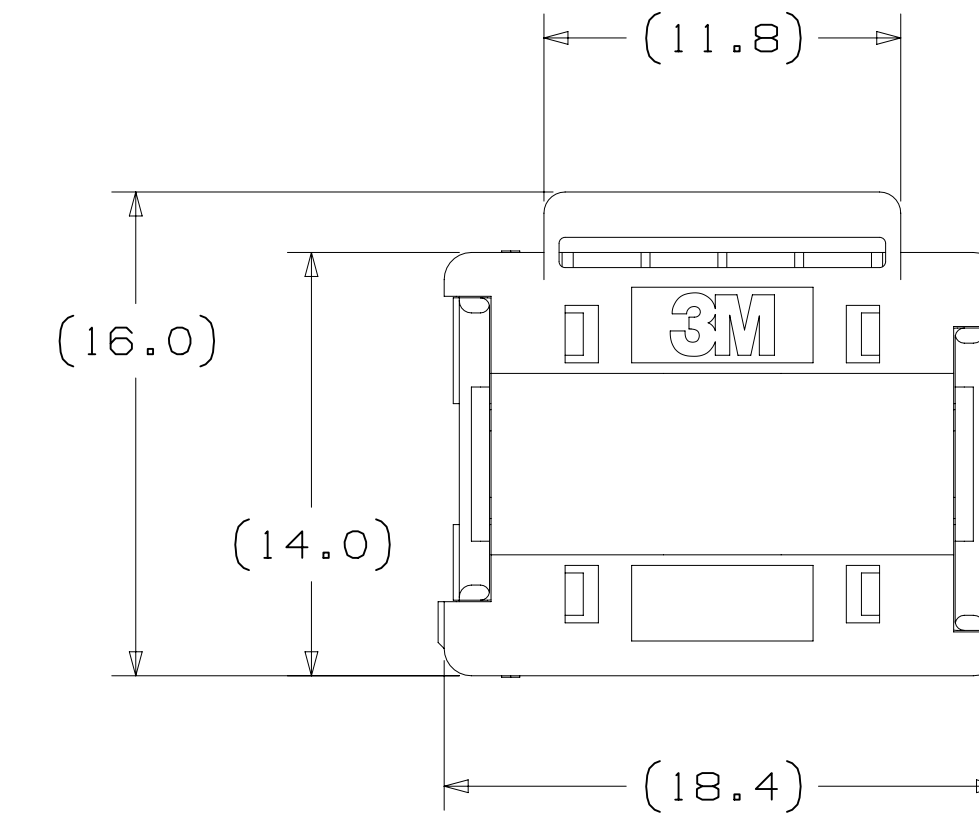
BODY AND CONTACTS



BRANCH COVER



MAIN COVER



ASSEMBLY

3M ELECTRONICS MATERIALS SOLUTIONS DIVISION  
 INTERCONNECT SOLUTIONS  
<http://www.3M.com/interconnect>

3M IS A TRADEMARK OF 3M COMPANY.  
 FOR TECHNICAL, SALES OR ORDERING  
 INFORMATION CALL 800-225-5373

DESIGN REFERENCE	NEXT ASSEMBLY	REV	ECO	ISSUE DATE AND DESCRIPTION	DRFT	CHKD
APPROVED	DATE	DATE	DATE	DATE	DATE	DATE
CASTIGLIONE	DEC 16, 2019	MFG				
		F. RODRIGUEZ				
DIVISION CODE		EMSD				
DO NOT SCALE DRAWING	SCALE 4/1	TOLERANCES EXCEPT AS NOTED				
THIRD ANGLE PROJECTION		INCHES				
INTERPRET PER ASME Y14.5 - 2009		MILLIMETERS				
MAX SURFACE ROUGHNESS		0				
UNFINISHED SURFACES		0.00 ±				
MARKED ONLY		200 ±				
		ANGLES				
		387				
		3M Center St. Paul, MN 55144				
		© 3M COPYRIGHT 2020				
		This document and the information it contains are 3M property and may not be reproduced or further distributed without 3M permission, or used or disclosed other than for 3M authorized purposes. All rights reserved.				
TITLE		ONE PIECE BRANCH LINK WIREMOUNT CONNECTOR, 387 SERIES				
CAGE NUMBER	SIZE	DRAWING NO.	REV.			
D		78-5100-2698-8	A			
MODEL	387		SHT 2 OF 3			

78-5100-2698-8  
 DRAWING NUMBER  
 A  
 REV. 1  
 DATE DEC 16, 2019  
 MFG  
 F. RODRIGUEZ  
 DATE DEC 16, 2019  
 JNC FJR  
 RELEASE FOR PRODUCTION  
 FEB 18, 2020  
 88853  
 A  
 3M  
 ONE PIECE BRANCH LINK WIREMOUNT CONNECTOR, 387 SERIES  
 D 78-5100-2698-8 A  
 SHT 2 OF 3

3M™ ONE PIECE BRANCH LINK WIREMOUNT CONNECTOR, 387 SERIES

**Regulatory:** For regulatory information about this product, visit 3M.com/regs or contact your 3M representative.

**Technical Information:** The technical information, recommendations and other statements contained in this document are based upon tests or experience that 3M believes are reliable, but the accuracy or completeness of such information is not guaranteed.

**Product Use:** Many factors beyond 3M's control and uniquely within user's control can affect the use and performance of a 3M product in a particular application. Given the variety of factors that can affect the use and performance of a 3M product, user is solely responsible for evaluating the 3M product and determining whether it is fit for a particular purpose and suitable for user's method of application.

**Warranty, Limited Remedy, and Disclaimer:** Unless an additional warranty is specifically stated on the applicable 3M product packaging or product literature, 3M warrants that each 3M product meets the applicable 3M product specification at the time 3M ships the product. **3M MAKES NO OTHER WARRANTIES OR CONDITIONS, EXPRESS OR IMPLIED, INCLUDING, BUT NOT LIMITED TO, ANY IMPLIED WARRANTY OR CONDITION OF MERCHANTABILITY OR FITNESS FOR A PARTICULAR PURPOSE OR ANY IMPLIED WARRANTY OR CONDITION ARISING OUT OF A COURSE OF DEALING, CUSTOM OR USAGE OR TRADE.** If the 3M product does not conform to this warranty, then the sole and exclusive remedy is, at 3M's option, replacement of the 3M product or refund of the purchase price.

**Limitation of Liability:** Except where prohibited by law, 3M will not be liable for any loss or damage arising from the 3M product, whether direct, indirect, special, incidental or consequential, regardless of the legal theory asserted, including warranty, contract, negligence or strict liability.

3M Company  
 Electronics Materials Solutions Division  
 13011 McCallen Pass, Bldg. C  
 Austin, TX 78753-5380  
 1-800-225-5373  
[www.3M.com/interconnect](http://www.3M.com/interconnect)

3M ELECTRONICS MATERIALS SOLUTIONS DIVISION  
 INTERCONNECT SOLUTIONS  
<http://www.3M.com/interconnect>

3M IS A TRADEMARK OF 3M COMPANY.  
 FOR TECHNICAL, SALES OR ORDERING  
 INFORMATION CALL 800-225-5373

REV: A	ECO: 88853	ISSUE DATE: FEB 18, 2020	DRFT: JNC	CHKD: FJR
RELEASE FOR PRODUCTION				
DESIGN REFERENCE	NEXT ASSEMBLY	DRFT: CASTIGLIONE	DATE: DEC 16, 2019	MFG DATE: DEC 16, 2019
DIVISION: EMSD		APPROV: F. RODRIGUEZ		
DO NOT SCALE DRAWING	SCALE: 4/1	TOLERANCES EXCEPT AS NOTED		
THIRD ANGLE PROJECTION	INTERPRET PER ASME Y14.5 - 2009	MAX SURFACE ROUGHNESS: 0.030 ±		
MARKED ONLY		CAGE NUMBER: 78-5100-2698-8		
		DRAWING NO.: 78-5100-2698-8		
		REV.: A		
		SHEET: 3 OF 3		

78-5100-2698-8  
 REV. A  
 UTC  
 Time 2/19/2020  
 6:00:00  
 Central Standard  
 Dfx-set

## X-ON Electronics

Largest Supplier of Electrical and Electronic Components

*Click to view similar products for [Headers & Wire Housings](#) category:*

*Click to view products by [3M](#) manufacturer:*

Other Similar products are found below :

[892-18-020-10-001101](#) [58102-G61-06LF](#) [582553-1](#) [0009485154](#) [009176003701906](#) [0050291907](#) [LY20-4P-DT1-P1E-BR](#) [02.125.8002.8](#)  
[609-3404](#) [61062-3](#) [622-0430](#) [622-3653LF](#) [63453-116](#) [636-1030](#) [636-1427](#) [636-3427](#) [636-4007](#) [641938-9](#) [641991-4](#) [644827-2](#) [65817-010LF](#)  
[65817-015LF](#) [65863-015LF](#) [66207-023LF](#) [67095-007LF](#) [67601157](#) [68648-049](#) [70.362.1628.0](#) [70-4210](#) [70-4226B](#) [70-4853B](#) [707-5020](#) [707-](#)  
[5028](#) [71.350.2428.0](#) [71918-208LF](#) [71961-016LF](#) [733-134](#) [733-162](#) [754199-000](#) [760-3052](#) [787-8014-00](#) [79531-3000](#) [FCN-360C032-B](#) [FCN-](#)  
[367T-T012/H](#) [FCN-723D010/2](#) [80.063.4001.1](#) [800-90-001-10-001000](#) [800-90-010-10-002000](#) [801-43-002-10-013000](#) [801-43-006-10-002000](#)