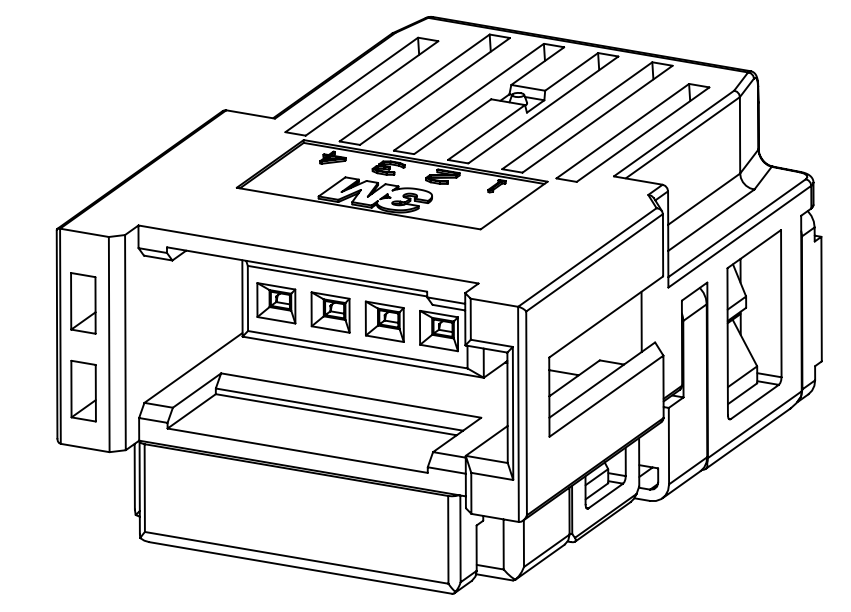


3M™ BRANCH MINI-CLAMP LINK CONNECTOR, 38A SERIES
 WIREMOUNT CONNECTOR, JUNCTION TYPE

- * ENABLES DIRECT CONNECTION FROM SENSOR WIRES TO NETWORK CABLES.
- * PROVIDES BRANCHING FROM MAIN BUS LINE TO SENSORS VIA 3M MINI-CLAMP CONNECTOR.
- * ENABLES SIMPLER SYSTEMS WITH DIRECT-TO-NETWORK CONNECTOR WITH LESS CABLE AND LOWER LETENCY.
- * COMPATIBLE WITH NETWORK CABLE 16 TO 22AWG.
- * EASY, LABOR SAVING AND RELIABLE IDC TERMINATION.
- * EASY FIELD TERMINATION WITH NO SPECIAL WIRE PREPARATION, NO STRIPPING, TINNING OR SPECIAL TOOLING.
- * CAN TERMINATE WITH A CONNON PAIR OF PLIERS.
- * LATCHING MECHANISM MAINTAINS A RELIABLE INTERCONNECTION IN DEMANDING FIELD APPLICATIONS.
- * HIGH NUMBER OF MATING CYCLES.

- NOTES
- REGULATORY INFORMATION:
VISIT 3M.com/regs
 - IN THE EVENT OF CONFLICT BETWEEN THIS DATA AND THAT CONTAINED IN THE PRODUCT SPECIFICATION, THE PRODUCT SPECIFICATION TAKES PRECEDENT.
 - FOR STEP BY STEP ASSEMBLY GUIDE, SEE INSTRUCTION SHEET 78-9101-5360-6.



-00XX

2 PHYSICAL :

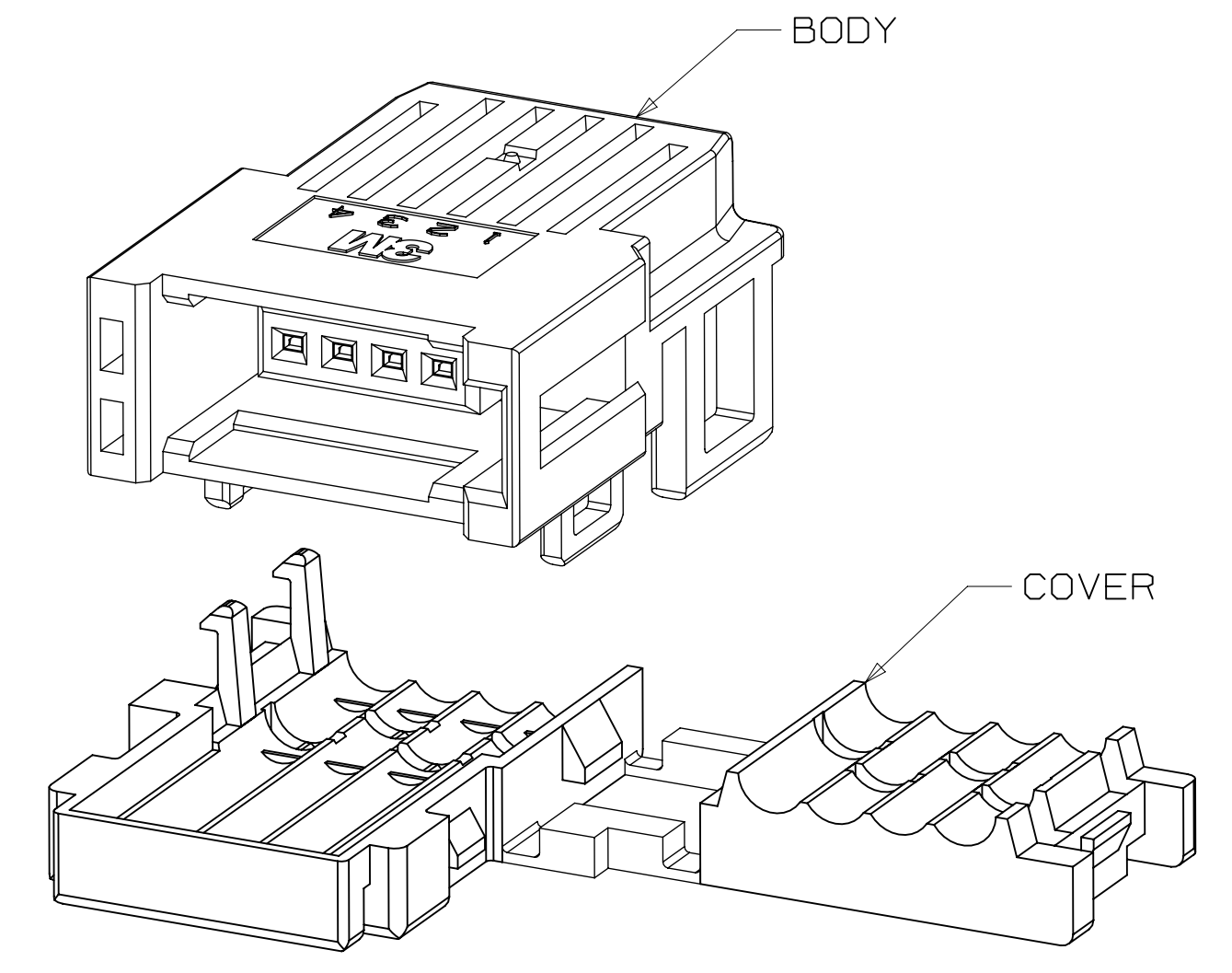
INSULATION:
 BODY: PBT/PBT PLASTIC
 COVER: TOP (PC), BOTTOM (NYLON)
 FLAMMABILITY: UL94V-0
 COLOR:
 BODY: BLACK, GRAY OR RED
 COVER: BLACK
 CONTACT:
 MATERIAL: COPPER ALLOY
 PLATING:
 UNDER PLATING: NICKEL
 WIPING AREA: 0.2µm MIN. GOLD
 MARKINGS: 3M LOGO, POSITION INDICATOR, WIRE GAUGE AND INSULATOR MATERIAL

2 ELECTRICAL :

CURRENT RATING: 3.0 AMPS
 INSULATION RESISTANCE: >1 X 10⁹Ω AT 500 V_{DC}
 WITHSTANDING VOLTAGE: 1,000V_{RMS} AT SEA LEVEL
 VOLTAGE RATING: 32 VOLTS

2 ENVIRONMENTAL :

TEMPERATURE RATING: 20°C TO +85°C AMBIENT (1.0A MAX.)
 -20°C TO +75°C AMBIENT (2.0A MAX.)
 -20°C TO +60°C AMBIENT (3.0A MAX.)



3 PRE-ASSEMBLED VIEW

ORDERING INFORMATION
 38A04-00XX-X00 FL

SERIES NO. | COMPATIBLE CABLE | BODY AND COVER COLOR:
 0: BODY (BLACK), COVER (BLACK)
 1: BODY (GRAY), COVER (BLACK)
 2: BODY (RED), COVER (BLACK)

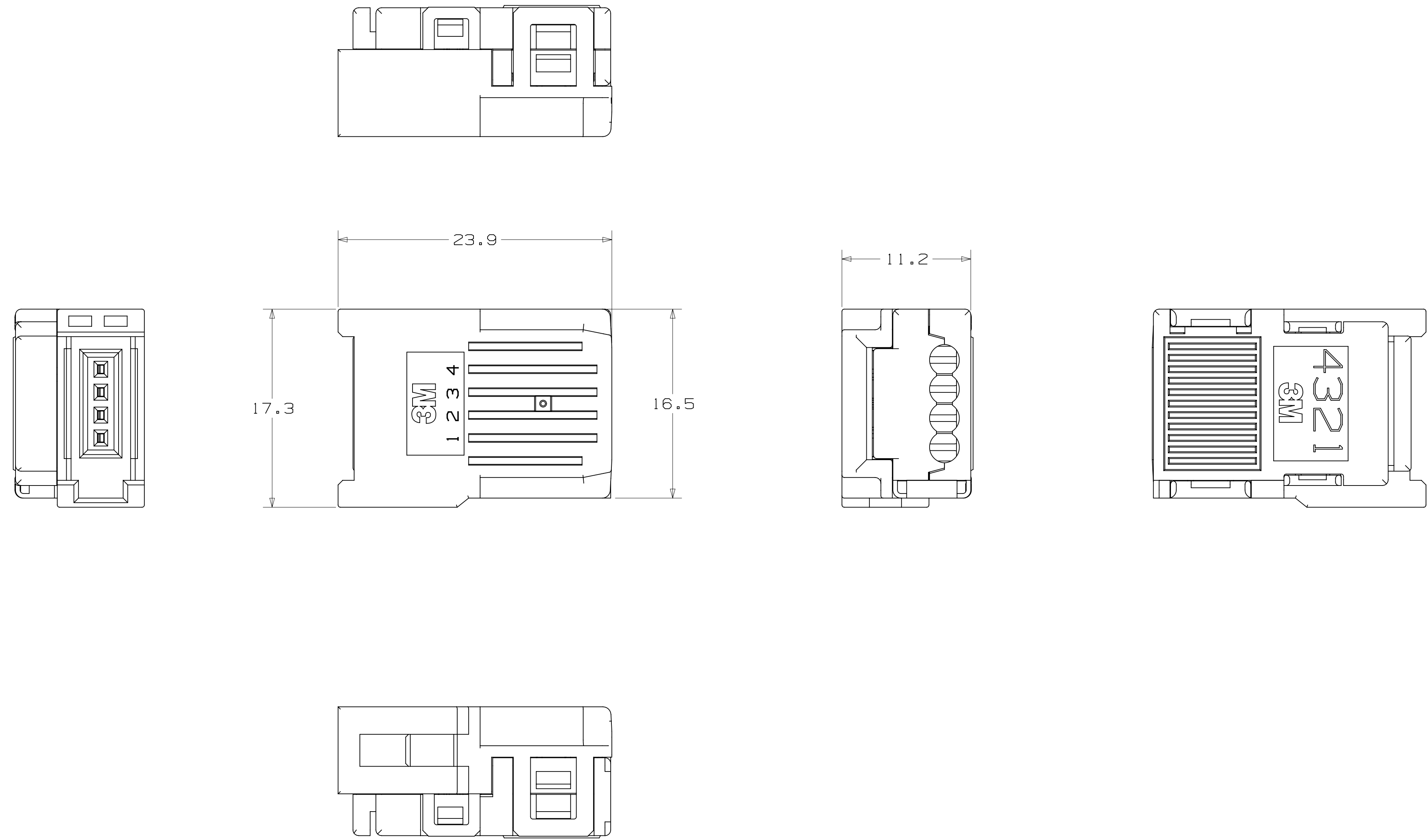
3M ELECTRONICS MATERIALS SOLUTIONS DIVISION
 INTERCONNECT SOLUTIONS
<http://www.3M.com/interconnect>
 3M IS A TRADEMARK OF 3M COMPANY.
 FOR TECHNICAL, SALES OR ORDERING
 INFORMATION CALL 800-225-5373

MM	
TOLERANCE - UNLESS NOTED	
X.X	X.XX
MM ±0.1	±0.10

DESIGN REFERENCE	NEXT ASSEMBLY	REV	ECO	ISSUE DATE AND DESCRIPTION	DRFT	CHKD
				FEB 13, 2020 PRODUCTION RELEASE	JNC	FJR
APPROVED	DATE	DATE	DATE	DATE	DATE	DATE
CASTIGLIONE	DEC 11, 2019	MFG				
		APPRV	DATE	DATE	DATE	DATE
		F. RODRIGUEZ	DEC 11, 2019			
DIVISION	DIVISION CODE	© 3M COPYRIGHT 2020 This document and the information it contains are 3M property and may not be reproduced or further distributed without 3M permission, or used or disclosed other than for 3M authorized purposes. All rights reserved.				
DO NOT SCALE DRAWING	SCALE 4/1	TOLERANCES EXCEPT AS NOTED	TITLE BRANCH MINI-CLAMP LINK CONN., 38A SERIES			
THIRD ANGLE PROJECTION	INTERPRET PER ASME Y14.5 - 2009	TOLERANCES EXCEPT AS NOTED	CAGE NUMBER	SIZE	DRAWING NO.	REV.
MAX SURFACE ROUGHNESS	MARKED SURFACES	TOLERANCES EXCEPT AS NOTED	D	78-5100-2697-0	A	
MARKED ONLY	ANGLES	TOLERANCES EXCEPT AS NOTED	MODEL	38A04	DET	YES X NO
		TOLERANCES EXCEPT AS NOTED			SHT 1 OF 4	

78-5100-2697-0
 DRAWING NUMBER
 A REVISION
 B
 C
 D
 UTC
 Drt-set (hrs) 6
 Standard
 Time 2/19/2020 --

3M™ BRANCH MINI-CLAMP LINK CONNECTOR, 38A SERIES
 WIREMOUNT CONNECTOR, JUNCTION TYPE

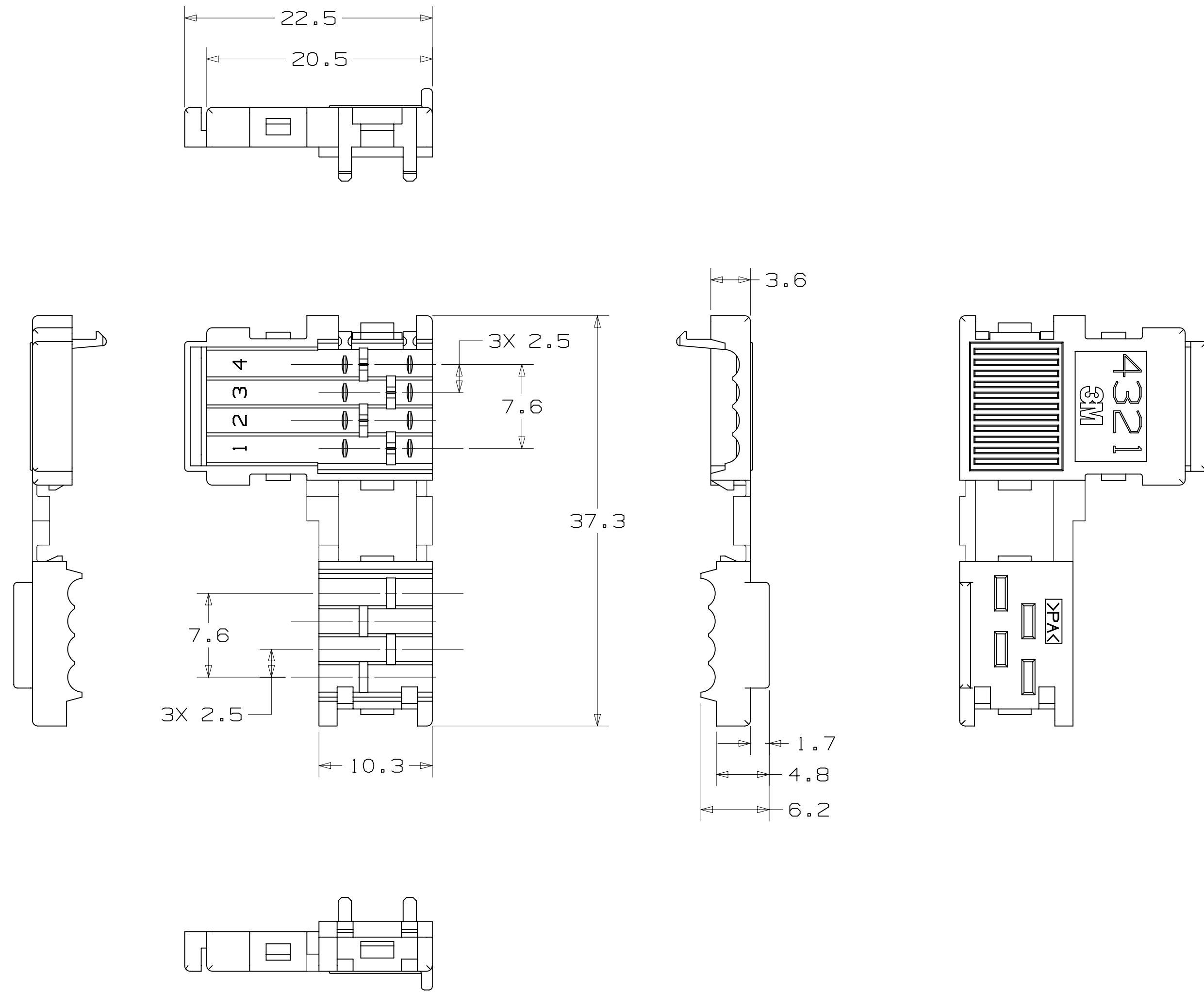


3M ELECTRONICS MATERIALS SOLUTIONS DIVISION
 INTERCONNECT SOLUTIONS
<http://www.3M.com/interconnect>
 3M IS A TRADEMARK OF 3M COMPANY.
 FOR TECHNICAL, SALES OR ORDERING
 INFORMATION CALL 800-225-5373

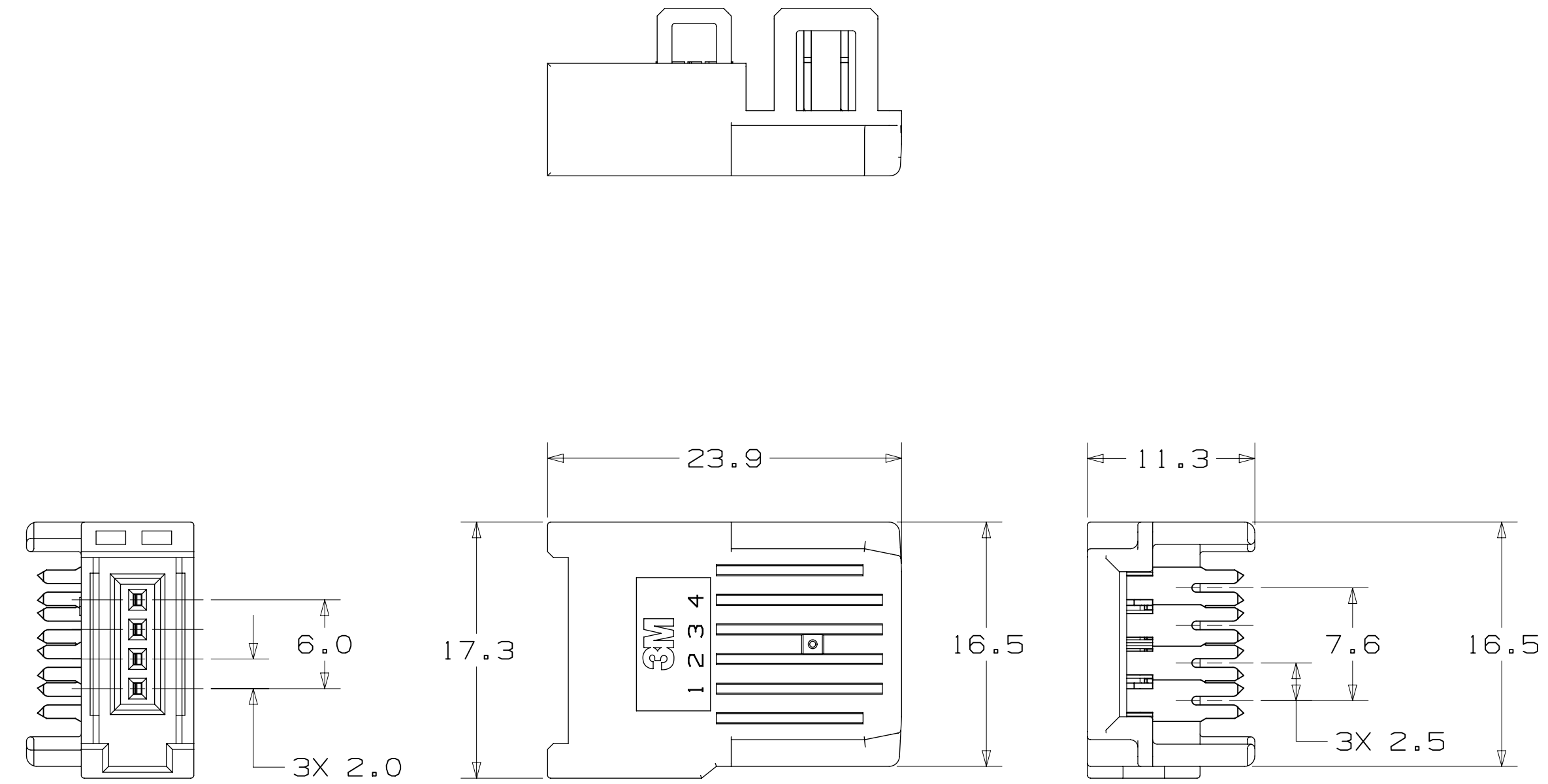
DESIGN REFERENCE		NEXT ASSEMBLY		REV	ECO	ISSUE DATE AND DESCRIPTION	DRFT	CHKD
A 88853		FEB 13, 2020		JNC	FJR	PRODUCTION RELEASE		
CAGE NUMBER		DRAWING NO.		REV.		TITLE		
D 78-5100-2697-0		38A04		A		BRANCH MINI-CLAMP LINK CONN., 38A SERIES		
MAX SURFACE ROUGHNESS		INTERPRET PER		TOLERANCES EXCEPT AS NOTED		This document and the information it contains are 3M property and may not be reproduced or further distributed without 3M permission, or used or disclosed other than for 3M authorized purposes. All rights reserved.		
<input checked="" type="checkbox"/> MARKED ONLY <input type="checkbox"/> UNMARKED ONLY		ASME Y14.5 - 2009		INCHES .00 ± .000 ± .0000 ±		MILLIMETERS 0 ± .00 ± .000 ±		
THIRD ANGLE PROJECTION		SCALE 4/1		DO NOT SCALE DRAWING		DIVISION EMSD DIVISION CODE 3M Center St. Paul, MN 55144		
APPROVED		DATE		DATE		© 3M COPYRIGHT 2020 DATE DEC 11, 2019 DATE DEC 11, 2019		
F. RODRIGUEZ		DEC 11, 2019		DEC 11, 2019		MFG DATE MFG DATE		

78-5100-2697-0
 DRAWING NUMBER
 A
 REV. 1
 6
 Drr-set (hrs)
 6
 UTC
 2/19/2020
 Time
 Standard

3M™ BRANCH MINI-CLAMP LINK CONNECTOR, 38A SERIES
 WIREMOUNT CONNECTOR, JUNCTION TYPE



COVER



BODY

3M ELECTRONICS MATERIALS SOLUTIONS DIVISION
 INTERCONNECT SOLUTIONS
<http://www.3M.com/interconnect>

3M IS A TRADEMARK OF 3M COMPANY.
 FOR TECHNICAL, SALES OR ORDERING
 INFORMATION CALL 800-225-5373

DESIGN REFERENCE		NEXT ASSEMBLY		REV	ECO	ISSUE DATE AND DESCRIPTION		DRFT	CHKD
A		88853		FEB 13, 2020		PRODUCTION RELEASE		JNC	FJR
DO NOT SCALE DRAWING		SCALE	TOLERANCES EXCEPT AS NOTED		3M Center St. Paul, MN 55144		© 3M COPYRIGHT 2020 This document and the information it contains are 3M property and may not be reproduced or further distributed without 3M permission, or used or disclosed other than for 3M authorized purposes. All rights reserved.		
THIRD ANGLE PROJECTION		SCALE	TOLERANCES EXCEPT AS NOTED		3M Center St. Paul, MN 55144		© 3M COPYRIGHT 2020 This document and the information it contains are 3M property and may not be reproduced or further distributed without 3M permission, or used or disclosed other than for 3M authorized purposes. All rights reserved.		
INTERPRET PER ASME Y14.5 - 2009		SCALE	TOLERANCES EXCEPT AS NOTED		3M Center St. Paul, MN 55144		© 3M COPYRIGHT 2020 This document and the information it contains are 3M property and may not be reproduced or further distributed without 3M permission, or used or disclosed other than for 3M authorized purposes. All rights reserved.		
MAX SURFACE ROUGHNESS		SCALE	TOLERANCES EXCEPT AS NOTED		3M Center St. Paul, MN 55144		© 3M COPYRIGHT 2020 This document and the information it contains are 3M property and may not be reproduced or further distributed without 3M permission, or used or disclosed other than for 3M authorized purposes. All rights reserved.		
MARKED ONLY		SCALE	TOLERANCES EXCEPT AS NOTED		3M Center St. Paul, MN 55144		© 3M COPYRIGHT 2020 This document and the information it contains are 3M property and may not be reproduced or further distributed without 3M permission, or used or disclosed other than for 3M authorized purposes. All rights reserved.		
CAGE NUMBER		SIZE	DRAWING NO.		REV.		TITLE		
D		78-5100-2697-0		A		BRANCH MINI-CLAMP LINK CONN., 38A SERIES			
MODEL		38A04		SHT		3 OF 4			

78-5100-2697-0
 DRAWING NUMBER
 A REVISION
 6
 Off-set (hrs)
 UTC
 Time 2/19/2020
 Standard

Regulatory: For regulatory information about this product, visit 3M.com/regs or contact your 3M representative.

Technical Information: The technical information, recommendations and other statements contained in this document are based upon tests or experience that 3M believes are reliable, but the accuracy or completeness of such information is not guaranteed.

Product Use: Many factors beyond 3M's control and uniquely within user's control can affect the use and performance of a 3M product in a particular application. Given the variety of factors that can affect the use and performance of a 3M product, user is solely responsible for evaluating the 3M product and determining whether it is fit for a particular purpose and suitable for user's method of application.

Warranty, Limited Remedy, and Disclaimer: Unless an additional warranty is specifically stated on the applicable 3M product packaging or product literature, 3M warrants that each 3M product meets the applicable 3M product specification at the time 3M ships the product. 3M MAKES NO OTHER WARRANTIES OR CONDITIONS, EXPRESS OR IMPLIED, INCLUDING, BUT NOT LIMITED TO, ANY IMPLIED WARRANTY OR CONDITION OF MERCHANTABILITY OR FITNESS FOR A PARTICULAR PURPOSE OR ANY IMPLIED WARRANTY OR CONDITION ARISING OUT OF A COURSE OF DEALING, CUSTOM OR USAGE OR TRADE. If the 3M product does not conform to this warranty, then the sole and exclusive remedy is, at 3M's option, replacement of the 3M product or refund of the purchase price.

Limitation of Liability: Except where prohibited by law, 3M will not be liable for any loss or damage arising from the 3M product, whether direct, indirect, special, incidental or consequential, regardless of the legal theory asserted, including warranty, contract, negligence or strict liability.

3M Company
Electronics Materials Solutions Division
13011 McCallen Pass, Bldg. C
Austin, TX 78753-5380
1-800-225-5373
www.3M.com/interconnect

DESIGN REFERENCE		NEXT ASSEMBLY		REV	ECO	ISSUE DATE AND DESCRIPTION		DRFT	CHKD
						FEB 13, 2020 PRODUCTION RELEASE		JNC	FJR
DRAWING CODES		DIVISION CODE		DRW	DATE	MFG	DATE		
		EMSD		CASTIGLIONE	DEC 11, 2019				
				CHKD	DATE	APPRV	DATE		
						F. RODRIGUEZ	DEC 11, 2019		
DO NOT SCALE DRAWING	SCALE 4 1	TOLERANCES EXCEPT AS NOTED				© 3M COPYRIGHT 2020 This document and the information it contains are 3M property and may not be reproduced or further distributed without 3M permission, or used or disclosed other than for 3M authorized purposes. All rights reserved.			
	THIRD ANGLE PROJECTION	INCHES .00 .000 ± 0.000 ±		MILLIMETERS 0 ± 0.00 ± 0.00 ±		TITLE BRANCH MINI-CLAMP LINK CONN., 38A SERIES			
INTERPRET PER ASME Y14.5 - 2009		MILLIMETERS		CAGE NUMBER		DRAWING NO.		REV.	
MAX SURFACE ROUGHNESS SURFACES MARKED ONLY		0 ± 0.00 ± 0.00 ±		D78-5100-2697-0		A			
		ANGLES		MODEL		38A04		SHT 4 OF 4	

X-ON Electronics

Largest Supplier of Electrical and Electronic Components

Click to view similar products for [Headers & Wire Housings](#) category:

Click to view products by [3M](#) manufacturer:

Other Similar products are found below :

[892-18-020-10-001101](#) [58102-G61-06LF](#) [582553-1](#) [0009485154](#) [009176003701906](#) [0050291907](#) [LY20-4P-DT1-P1E-BR](#) [02.125.8002.8](#)
[609-3404](#) [61062-3](#) [622-0430](#) [622-3653LF](#) [63453-116](#) [636-1030](#) [636-1427](#) [636-3427](#) [636-4007](#) [641938-9](#) [641991-4](#) [644827-2](#) [65817-010LF](#)
[65817-015LF](#) [65863-015LF](#) [66207-023LF](#) [67095-007LF](#) [67601157](#) [68648-049](#) [70.362.1628.0](#) [70-4210](#) [70-4226B](#) [70-4853B](#) [707-5020](#) [707-5028](#) [71.350.2428.0](#) [71918-208LF](#) [71961-016LF](#) [733-134](#) [733-162](#) [754199-000](#) [760-3052](#) [787-8014-00](#) [79531-3000](#) [FCN-360C032-B](#) [FCN-367T-T012/H](#) [FCN-723D010/2](#) [80.063.4001.1](#) [800-90-001-10-001000](#) [800-90-010-10-002000](#) [801-43-002-10-013000](#) [801-43-006-10-002000](#)