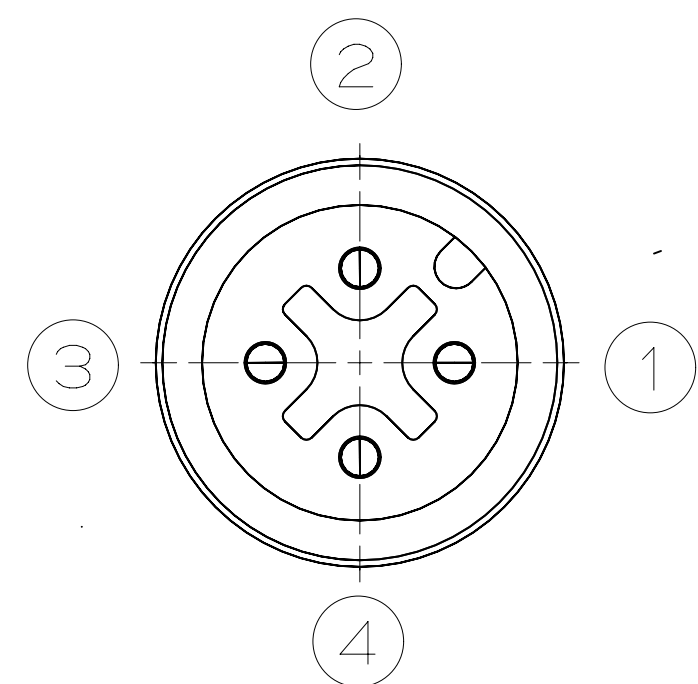
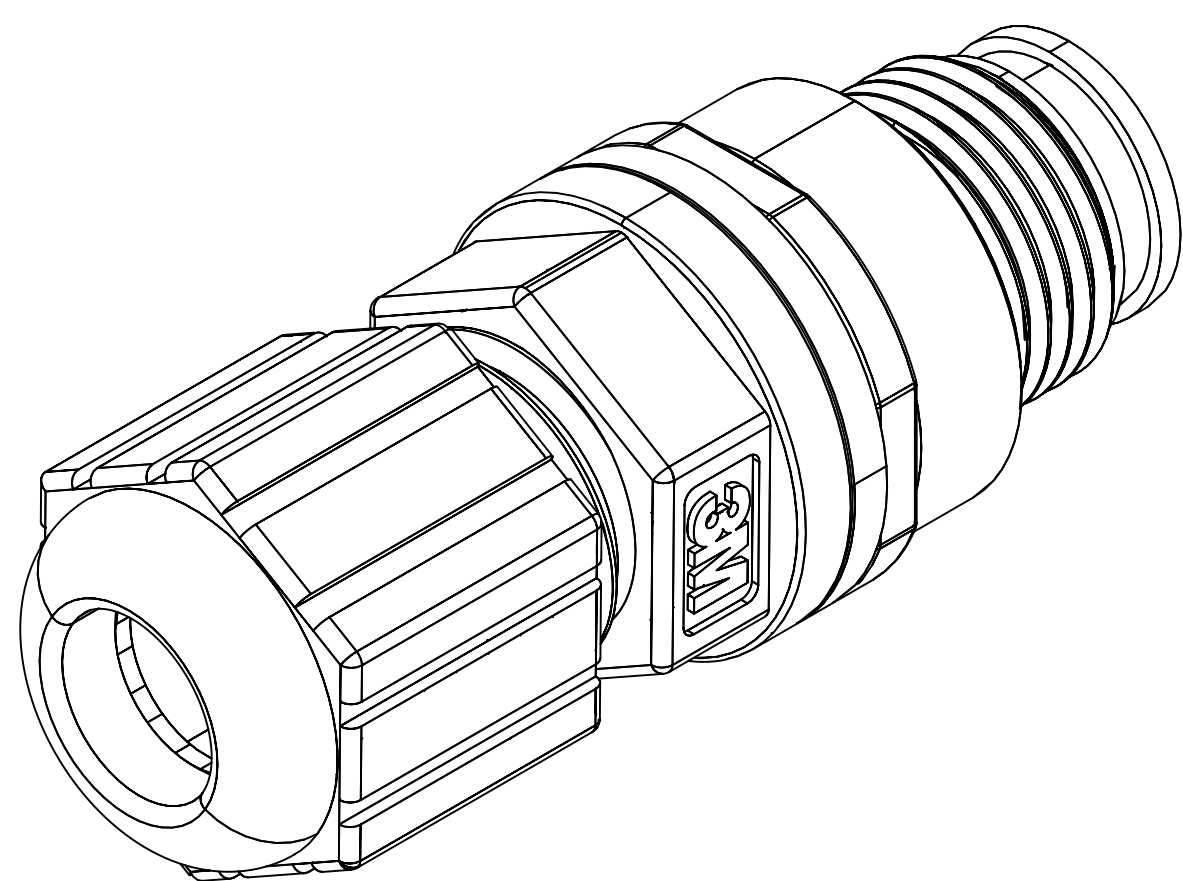
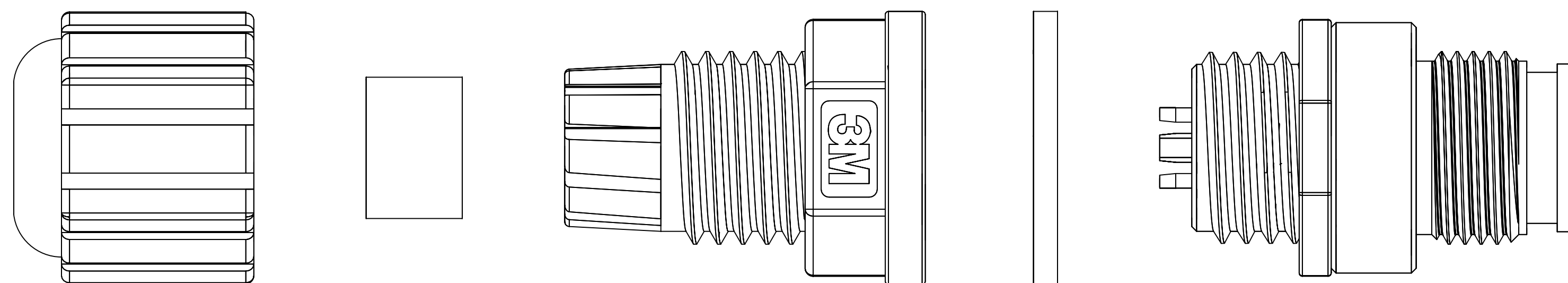
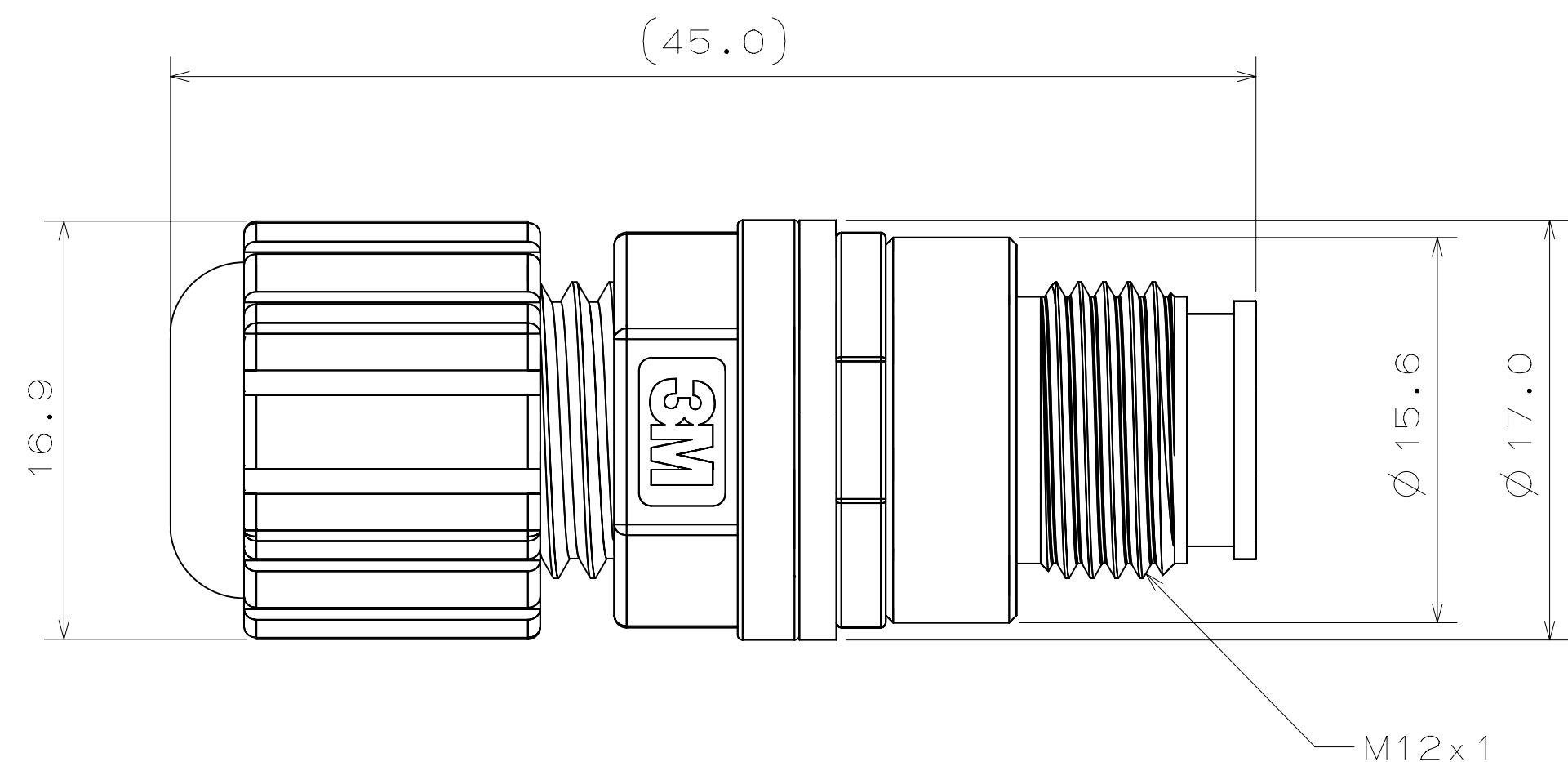


3M™ INDUSTRIAL M12 WM CONNECTOR

FOR 4POS, A-CODE, MALE, SOLDER TYPE



Pin Assignment

PERFORMANCE

1) MECHANICAL

POLARIZING METHOD: 35N MIN.

CONTACT INSERTION FORCE: 10N/pin MAX.
CONTACT WITHDRAWL FORCE: 15N/pin MAX.

WATERPROOF: IP68 (IN WATER 1mm DEPTH, 24H)

2) ELECTRICAL

CURRENT RATING: 4.0A

VOLTAGE RATING: 250VDC

WITHSTANDING VOLTAGE: 1000VACrms

INSULATION RESISTANCE: 1×10^9 OHMS at 500VDC

CONTACT RESISTANCE:
10 MILLI OHM AT INITIAL CONDITION
DELTA R 15 MILLI OHM MAX. AFTER
EVALUATION TEST BASED ON 78-5102-0150-8

ENVIRONMENTAL

TEMPERATURE RATING: -25°C TO 85°C

NOTE

FOR LOW TEMPERATURE LIMIT:
EXCLUDING CABLE PERFORMANCE NO DEW CONDITION
FOR HIGH TEMPERATURE LIMIT:
INCLUDING TEMPERATURE RAISING BY CURRENT

NOTES

- MATERIAL:
BODY: THERMOPLASTIC, UL 94V0
COVER: THERMOPLASTIC, UL 94V0
GLAND NUT:
THERMOPLASTIC, UL 94V0
CONTACT: COPPER ALLOY
- PLATING
CONTACT AREA: 0.2µm GOLD MIN.
- MATED WITH INDUSTRIAL M12 FEMALE CONNECTOR
- COMPATIBLE CABLE:
1) WIRE
AWG 20 STRANDED
AWG 24 STRANDED
2) CABLE OUTER DIAMETER
4.0 to 6.5mm
- RoHS COMPLIANT.
SEE THE REGULATORY
INFORMATION APPENDIX (RIA)
IN THE "RoHS COMPLIANCE"
SECTION OF
WWW.3MCONNECTORS.COM FOR
COMPLIANCE INFORMATION
(RIA E1 & C1 APPLY).
- FOR PRODUCT SPECIFICATIONS
AND WARRANTY INFORMATION
SEE 3M 78-5102-0150-8
- IN THE EVENT OF CONFLICT
BETWEEN THIS DATA AND
THAT CONTAINED IN THE
PRODUCT SPECIFICATION,
THE PRODUCT SPECIFICATION
TAKES PRECEDENT.

ORDERING INFORMATION M12 WM CONNECTOR

3N1 04-A000-S08 BF

PRODUCTION SERIES
3N1: INDUSTRIAL M12 WM
MALE CONNECTOR

PLATING SUFFIX
BF: CONTACT AREA 0.2µm GOLD

CONTACT QUANTITY
04: 4 PIN

IP CLASS
8: IP68

CODE
A: A CODE

WIRING METHOD
S: SOLDER TYPE

3M™ ELECTRONIC SOLUTIONS DIVISION
INTERCONNECT SOLUTIONS
VISIT <http://www.3mconnectors.com>

3M IS A TRADEMARK OF 3M COMPANY.
FOR TECHNICAL, SALES OR ORDERING INFORMATION
CALL YOUR LOCAL SALES REPRESENTATIVE

DESIGN REFERENCE	NEXT ASSEMBLY	REV	ECO	ISSUE DATE AND DESCRIPTION	DRFT	CHKD
				SEP 06, 2012 PRODUCTION RELEASE	T.O	H.K
DISTRICT CODES		DRFT		DATE		
		APPV		DATE		
DIVISION	DIVISION CODE	CHKD		DATE		
Interconnect Solutions	ISD			APPV		
DO NOT SCALE DRAWING	SCALE			DATE		
				DATE		
THIRD ANGLE PROJECTION	TOLERANCES EXCEPT AS NOTED			DATE		
				DATE		
INTERPRET PER ASME Y14.5 - 1994	TOLERANCES EXCEPT AS NOTED			DATE		
				DATE		
MAX SURFACE ROUGHNESS	TOLERANCES EXCEPT AS NOTED			DATE		
				DATE		
MARKED ONLY	TOLERANCES EXCEPT AS NOTED			DATE		
				DATE		

3M	3M Center St. Paul, MN 55144	© 3M COPYRIGHT 2012 This document and the information it contains are 3M property and may not be reproduced or further distributed without 3M permission, or used or disclosed other than for 3M authorized purposes. All rights reserved.
INDUSTRIAL M12 WIRE MOUNT, FOR A-CODE, MALE, SOLDER TYPE		
CAGE NUMBER	SIZE	DRAWING NO.
D	.13	78-5100-2559-2
MODEL		REV.
		A

78-5100-2559-2
DRAWING NUMBER

A

SHT 1 OF 1

X-ON Electronics

Largest Supplier of Electrical and Electronic Components

Click to view similar products for [Circular Metric Connectors](#) category:

Click to view products by [3M](#) manufacturer:

Other Similar products are found below :

[600X518037X](#) [6STD15PCR99B70A](#) [8R4000A16M020](#) [8R5000A16M005](#) [1200910002](#) [1203580030](#) [1200910008](#) [1200910011](#) [1300140094](#)
[130203-0054](#) [1300140026](#) [1300150099](#) [1-3637-600-5205](#) [1612618](#) [21036836414](#) [8R4006A16M010](#) [1R3006A20M005](#) [41-40011](#) [42-00006](#)
[42-01015](#) [4-22279-4](#) [4-22281-1](#) [4-22284-9](#) [43-00113](#) [43-01203](#) [41-40013](#) [42-00008](#) [43-00343](#) [43-01026](#) [43-01162](#) [43-01173](#) [43-10000](#)
[XS3P-M421-2](#) [600X518050X](#) [8R5006A16M020](#) [8R5006A16M005](#) [8R4000A16M010](#) [6-22279-3](#) [1605332](#) [N03FA03144](#) [1300140077](#) [43-](#)
[16213](#) [43-01338](#) [XS2RD4265](#) [XS2R-D426-1](#) [XS8A-0441](#) [859RD04-103R004](#) [860RD04-113R004](#) [860RD04-213R004](#) [1-213245-2](#)