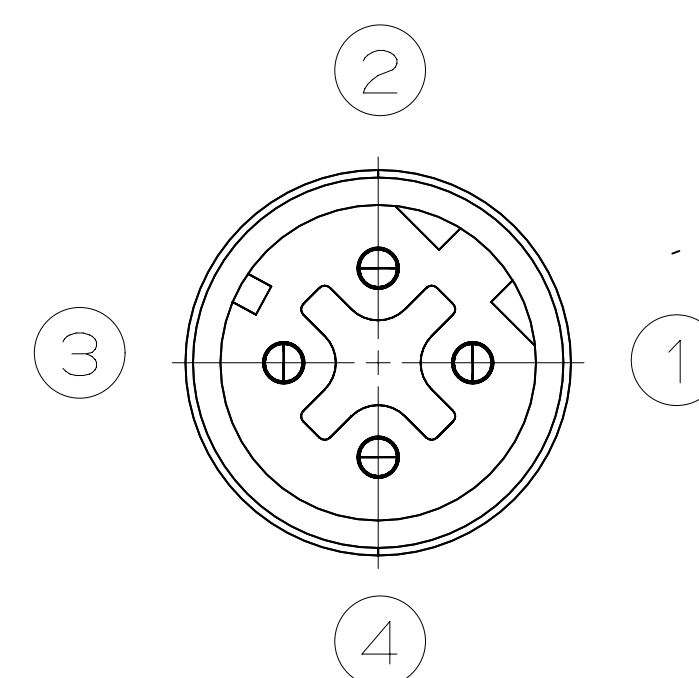
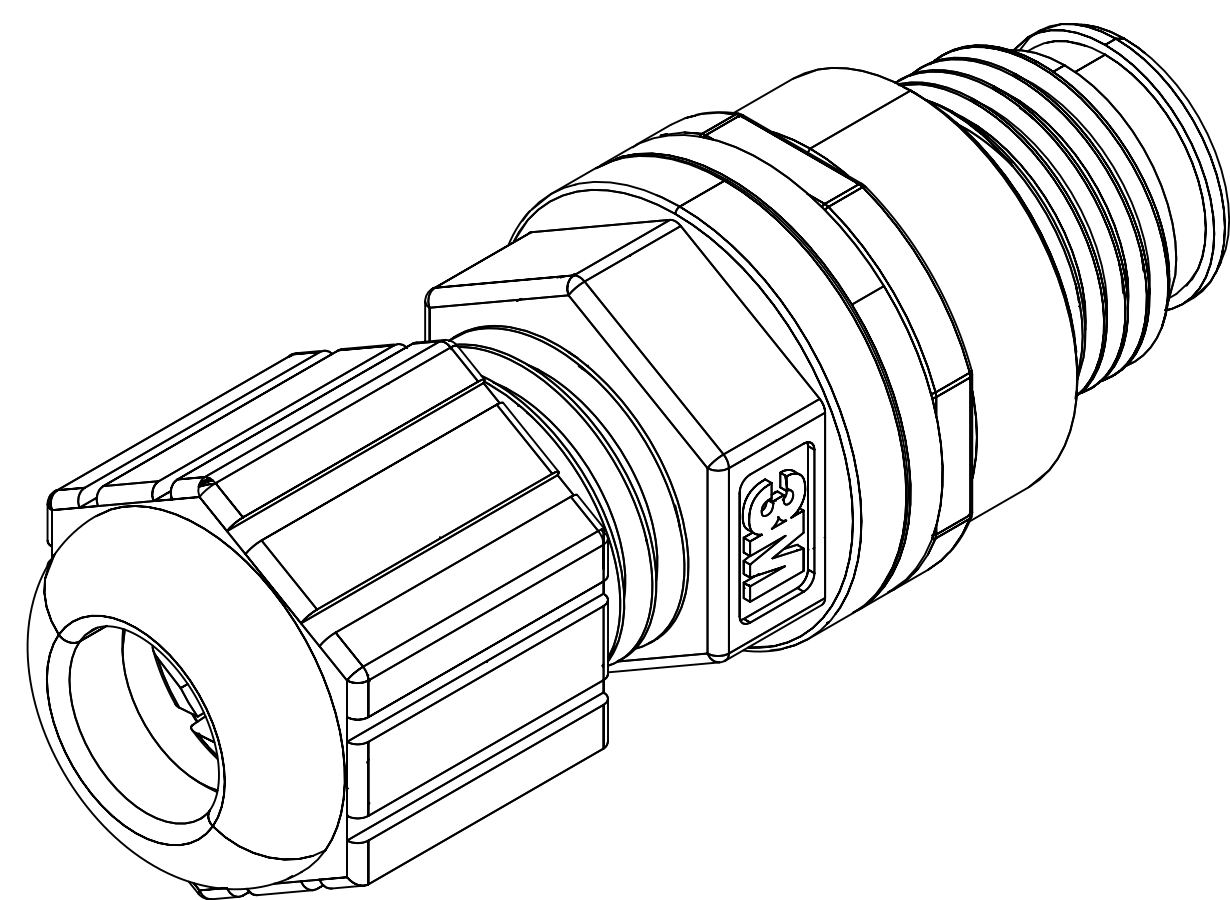
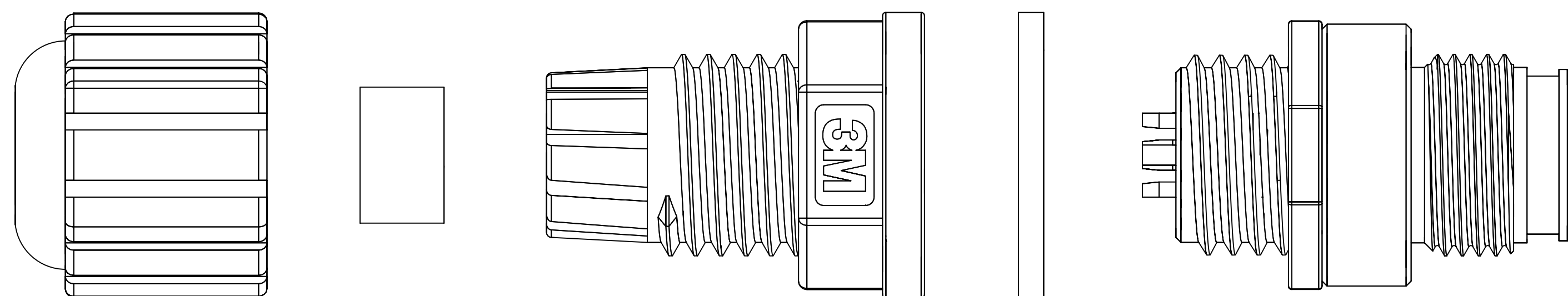
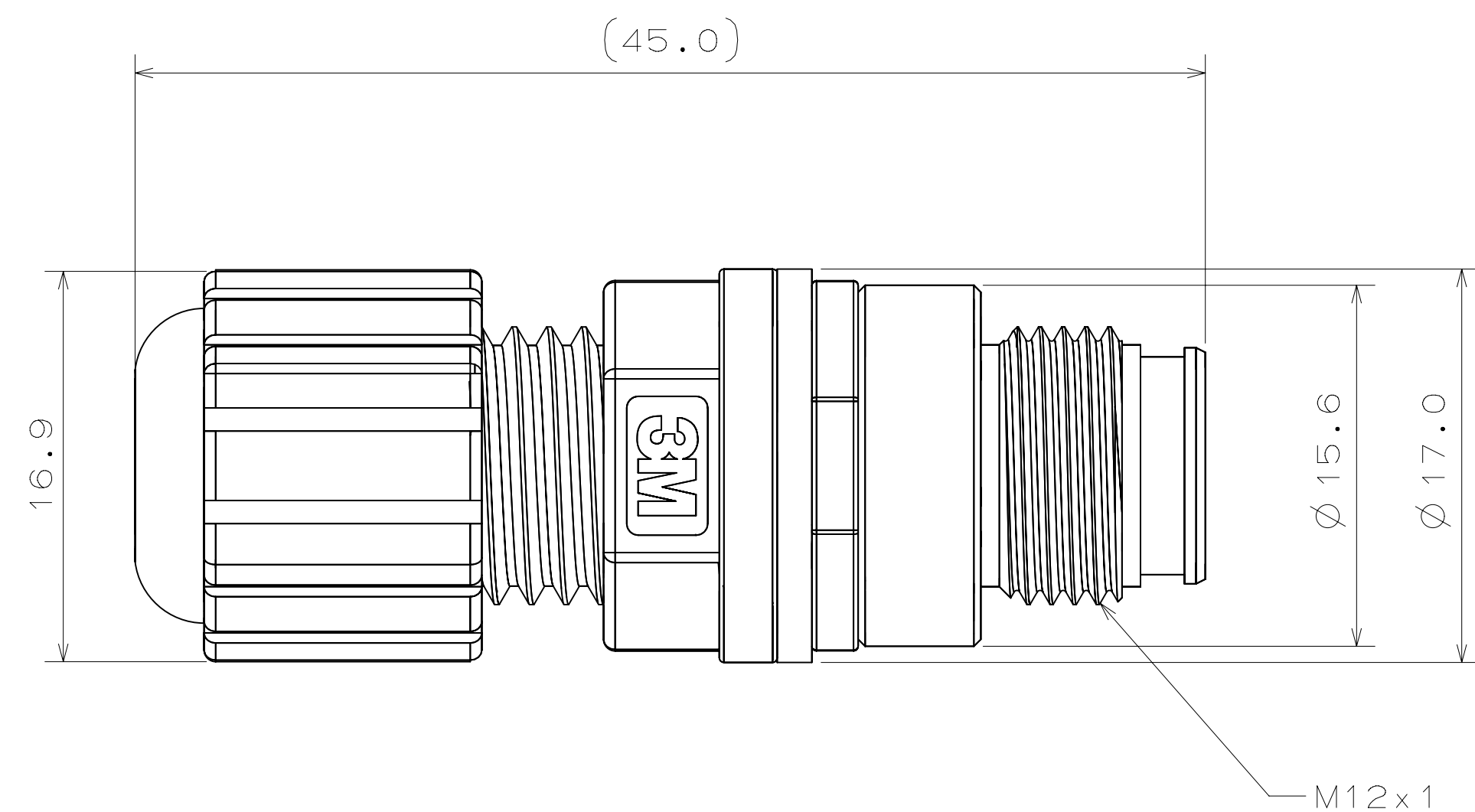


3M™ INDUSTRIAL M12 WM CONNECTOR

FOR 4POS, D-CODE, MALE, SOLDER TYPE



Pin Assignment

PERFORMANCE

1) MECHANICAL
POLARIZING METHOD: 35N MIN.

CONTACT INSERTION FORCE: 10N/pin MAX.
CONTACT WITHDRAWL FORCE: 15N/pin MAX.

WATERPROOF: IP68 (IN WATER 1mm DEPTH, 24H)

2) ELECTRICAL
CURRENT RATING: 4.0A

VOLTAGE RATING: 250VDC

WITHSTANDING VOLTAGE: 1000VACrms

INSULATION RESISTANCE: 1×10^9 OHMS at 500VDC

CONTACT RESISTANCE:
10 MILLI OHM AT INITIAL CONDITION
DELTA R 15 MILLI OHM MAX. AFTER
EVALUATION TEST BASED ON 78-5102-0150-8

3) ENVIRONMENTAL
TEMPERATURE RATING: -25°C TO 85°C

NOTE
FOR LOW TEMPERATURE LIMIT:
EXCLUDING CABLE PERFORMANCE, NO DEW CONDITION
FOR HIGH TEMPERATURE LIMIT:
INCLUDING TEMPERATURE RAISING BY CURRENT

- NOTES**
- MATERIAL:
BODY: THERMOPLASTIC, UL 94V0
COVER: THERMOPLASTIC, UL 94V0
GLAND NUT:
THERMOPLASTIC, UL 94V0
CONTACT: COPPER ALLOY
 - PLATING
CONTACT AREA: 0.2µm GOLD MIN.
 - MATED WITH INDUSTRIAL M12 FEMALE CONNECTOR
 - COMPATIBLE CABLE:
1) WIRE
AWG 20 STRANDED
AWG 24 STRANDED
2) CABLE OUTER DIAMETER
4.0 to 6.5mm
 - RoHS COMPLIANT.
SEE THE REGULATORY INFORMATION APPENDIX (RIA) IN THE "RoHS COMPLIANCE" SECTION OF WWW.3MCONNECTORS.COM FOR COMPLIANCE INFORMATION (RIA E1 & C1 APPLY).
 - FOR PRODUCT SPECIFICATIONS AND WARRANTY INFORMATION SEE 3M 78-5102-0150-8
 - IN THE EVENT OF CONFLICT BETWEEN THIS DATA AND THAT CONTAINED IN THE PRODUCT SPECIFICATION, THE PRODUCT SPECIFICATION TAKES PRECEDENT.

ORDERING INFORMATION M12 WM CONNECTOR

3N1 04-D000-S08 BF

PRODUCTION SERIES
3N1: INDUSTRIAL M12 WM MALE CONNECTOR

CONTACT QUANTITY
04: 4 PIN

CODE
D: D CODE

PLATING SUFFIX
BF: CONTACT AREA 0.2µm GOLD

IP CLASS
8: IP68

WIRING METHOD
S: SOLDER TYPE

3M™ ELECTRONIC SOLUTIONS DIVISION
INTERCONNECT SOLUTIONS
VISIT <http://www.3mconnectors.com>

3M IS A TRADEMARK OF 3M COMPANY.
FOR TECHNICAL, SALES OR ORDERING INFORMATION
CALL YOUR LOCAL SALES REPRESENTATIVE

DESIGN REFERENCE	NEXT ASSEMBLY	REV	ECO	ISSUE DATE AND DESCRIPTION	DRFT	CHKD
				SEP 06, 2012	T.O	H.K
				PRODUCTION RELEASE		
DISTRICT CODES		DRFT	DATE	MFG	DATE	
		CHKD	DATE	APPV	DATE	
				H.KOSUGI	SEP 06, 2012	
DIVISION	INTERCONNECT SOLUTIONS	DIVISION CODE	© 3M COPYRIGHT 2012			
DO NOT SCALE DRAWING	SCALE	TOLERANCES EXCEPT AS NOTED	This document and the information it contains are 3M property and may not be reproduced or further distributed without 3M permission, or used or disclosed other than for 3M authorized purposes. All rights reserved.			
			INDUSTRIAL M12 WIRE MOUNT, FOR D-CODE, MALE, SOLDER TYPE			
THIRD ANGLE PROJECTION			CAGE NUMBER			
INTERPRET PER ASME Y14.5 - 1994			D 78-5100-2557-6			
MAX SURFACE ROUGHNESS			REV. A			
MARKED SURFACES			SHT 1 OF 1			
MARKED ONLY						

X-ON Electronics

Largest Supplier of Electrical and Electronic Components

Click to view similar products for [Circular Metric Connectors](#) category:

Click to view products by [3M](#) manufacturer:

Other Similar products are found below :

[600X518037X](#) [6STD15PCR99B70A](#) [8R4000A16M020](#) [8R5000A16M005](#) [1200910002](#) [1203580030](#) [1200910008](#) [1200910011](#) [1300140094](#)
[130203-0054](#) [1300140026](#) [1300150099](#) [1-3637-600-5205](#) [1612618](#) [21036836414](#) [8R4006A16M010](#) [1R3006A20M005](#) [41-40011](#) [42-00006](#)
[42-01015](#) [4-22279-4](#) [4-22281-1](#) [4-22284-9](#) [43-00113](#) [43-01203](#) [41-40013](#) [42-00008](#) [43-00343](#) [43-01026](#) [43-01162](#) [43-01173](#) [43-10000](#)
[XS3P-M421-2](#) [600X518050X](#) [8R5006A16M020](#) [8R5006A16M005](#) [8R4000A16M010](#) [6-22279-3](#) [1605332](#) [N03FA03144](#) [1300140077](#) [43-](#)
[16213](#) [43-01338](#) [XS2RD4265](#) [XS2R-D426-1](#) [XS8A-0441](#) [859RD04-103R004](#) [860RD04-113R004](#) [860RD04-213R004](#) [1-213245-2](#)