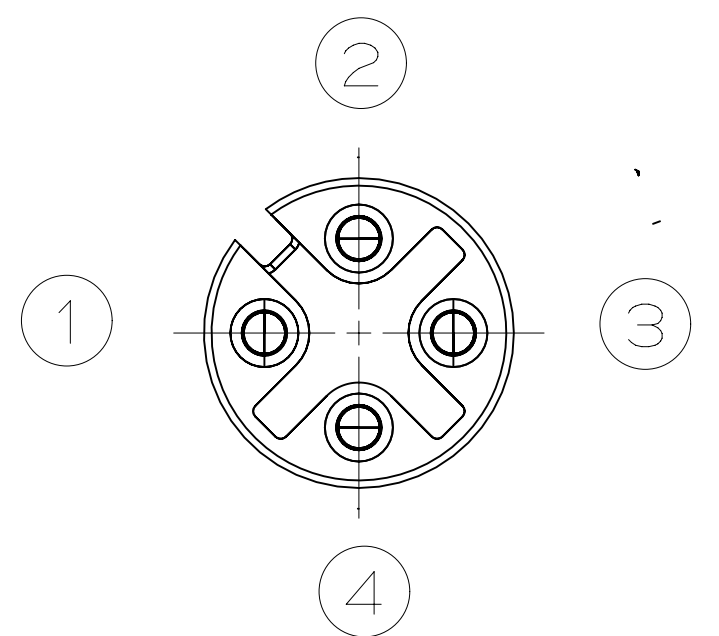
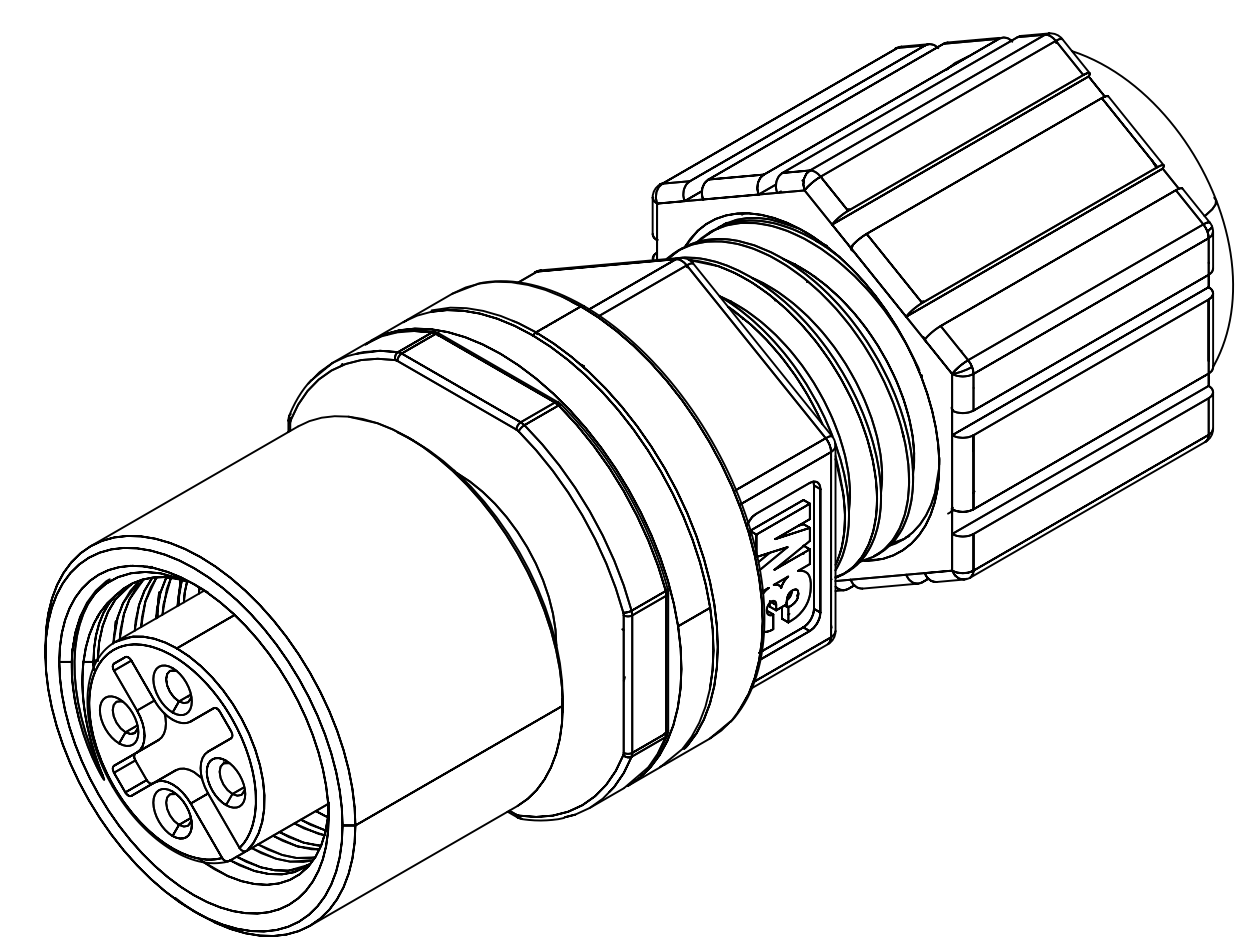
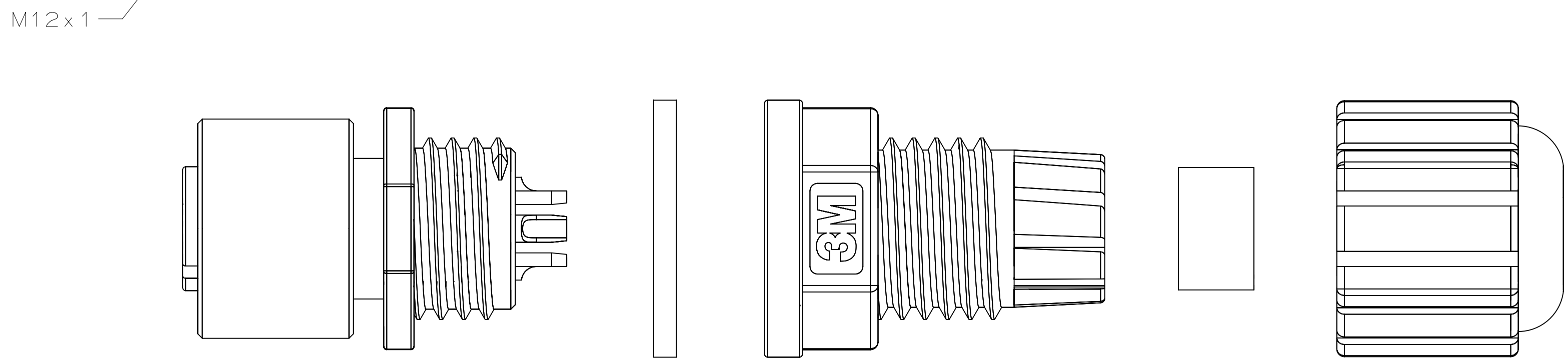
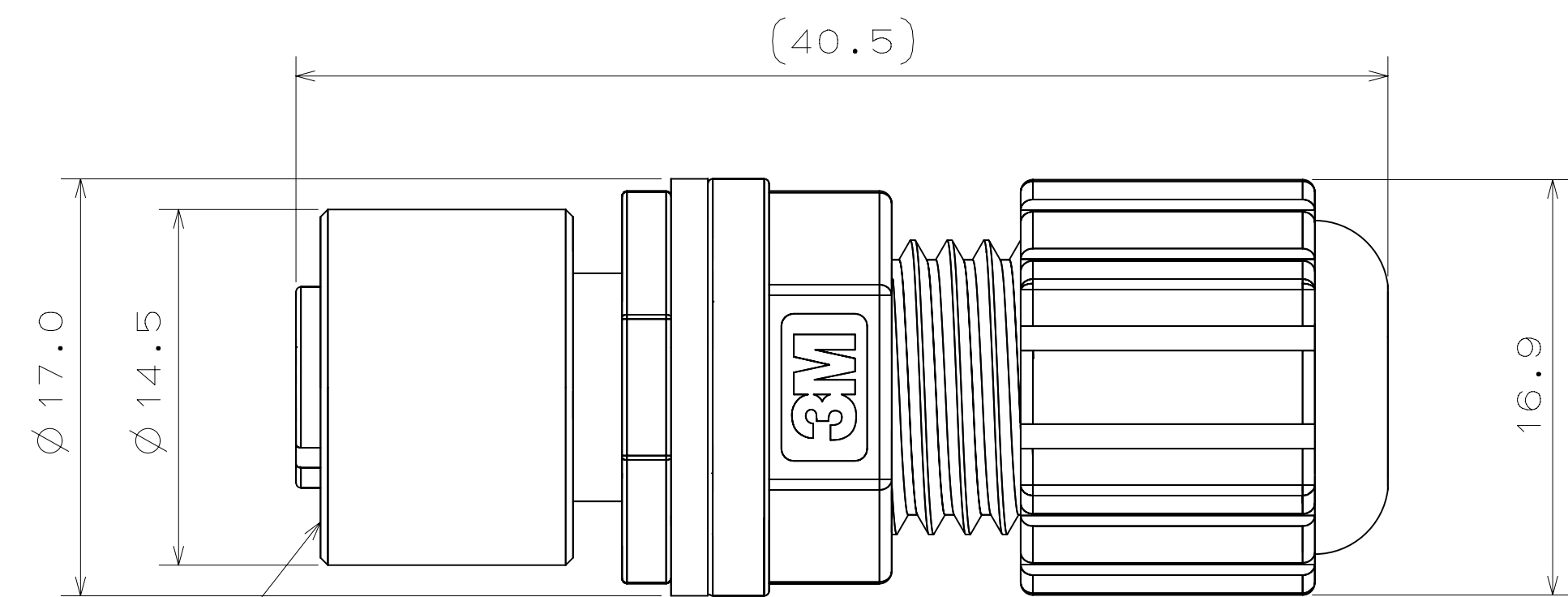


3M™ INDUSTRIAL M12 WM CONNECTOR

FOR 4POS, A-CODE, FEMALE, SOLDER TYPE



Pin Assignment

PERFORMANCE

1) MECHANICAL
POLARIZING METHOD: 35N MIN.

CONTACT INSERTION FORCE: 10N/pin MAX.
CONTACT WITHDRAWL FORCE: 15N/pin MAX.

WATERPROOF: IP68 (IN WATER 1mm DEPTH, 24H)

2) ELECTRICAL
CURRENT RATING: 4.0A

VOLTAGE RATING: 250VDC

WITHSTANDING VOLTAGE: 1000VACrms

INSULATION RESISTANCE: 1×10^9 OHMS at 500VDC

CONTACT RESISTANCE:
10 MILLI OHM AT INITIAL CONDITION
DELTA R 15 MILLI OHM MAX. AFTER
EVALUATION TEST BASED ON 78-5102-0151-6

3) ENVIRONMENTAL
TEMPERATURE RATING: -25°C TO 85°C

NOTE
FOR LOW TEMPERATURE LIMIT:
EXCLUDING CABLE PERFORMANCE NO DEW CONDITION
FOR HIGH TEMPERATURE LIMIT:
INCLUDING TEMPERATURE RASING BY CURRENT

NOTES	
1	MATERIAL: BODY: THERMOPLASTIC, UL 94V0 COVER: THERMOPLASTIC, UL 94V0 GLAND NUT: THERMOPLASTIC, UL 94V0 CONTACT: COPPER ALLOY
2	PLATING CONTACT AREA: 0.2um GOLD MIN.
3	MATED WITH INDUSTRIAL M12 MALE CONNECTOR
4	COMPATIBLE CABLE: 1) WIRE AWG 20 STRANDED AWG 24 STRANDED 2) CABLE OUTER DIAMETER 4.0 to 6.5mm
5	RoHS COMPLIANT. SEE THE REGULATORY INFORMATION APPENDIX (RIA) IN THE "RoHS COMPLIANCE" SECTION OF WWW.3MCONNECTORS.COM FOR COMPLIANCE INFORMATION (RIA E1 & C1 APPLY).
6	FOR PRODUCT SPECIFICATIONS AND WARRANTY INFORMATION SEE 3M 78-5102-0151-6
7	IN THE EVENT OF CONFLICT BETWEEN THIS DATA AND THAT CONTAINED IN THE PRODUCT SPECIFICATION, THE PRODUCT SPECIFICATION TAKES PRECEDENT.

ORDERING INFORMATION M12 WM CONNECTOR

3N3 04-A000-S08 BF

PRODUCTION SERIES
3N3: INDUSTRIAL M12 WM
FEMALE CONNECTOR

PLATING SUFFIX
BF: CONTACT AREA 0.2um GOLD

CONTACT QUANTITY
04: 4 PIN

IP CLASS
8: IP68

CODE
A: A CODE

WIRING METHOD
S: SOLDER TYPE

3M™ ELECTRONIC SOLUTIONS DIVISION
INTERCONNECT SOLUTIONS
VISIT <http://www.3mconnectors.com>

3M IS A TRADEMARK OF 3M COMPANY.
FOR TECHNICAL, SALES OR ORDERING INFORMATION
CALL YOUR LOCAL SALES REPRESENTATIVE

DESIGN REFERENCE	NEXT ASSEMBLY	REV	ECO	ISSUE DATE AND DESCRIPTION	DRFT	CHKD
				SEP 06, 2012 PRODUCTION RELEASE	T.O	H.K
DISTRICT CODES		DRFT	DATE	MFG	DATE	
		T. OHTA	SEP 06, 2012			
DIVISION	DIVISION CODE	CHKD	DATE	APPV	DATE	
Interconnect Solutions	ISD			H. KOSUGI	SEP 06, 2012	
DO NOT SCALE DRAWING	SCALE	TOLERANCES EXCEPT AS NOTED				
		INCHES		© 3M COPYRIGHT 2012 This document and the information it contains are 3M property and may not be reproduced or further distributed without 3M permission, or used or disclosed other than for 3M authorized purposes. All rights reserved.		
		MILLIMETERS		TITLE INDUSTRIAL M12 WIRE MOUNT, FOR A-CODE, FEMALE, SOLDER TYPE		
THIRD ANGLE PROJECTION		INTERPRET PER ASME Y14.5 - 1994		CAGE NUMBER 78-5100-2560-0		
		MAX SURFACE ROUGHNESS		DRAWING NO. 78-5100-2560-0		
		SURFACES		REV. A		
		MARKED ONLY		MODEL SHT 1 OF 1		

X-ON Electronics

Largest Supplier of Electrical and Electronic Components

Click to view similar products for [Circular Metric Connectors](#) category:

Click to view products by [3M](#) manufacturer:

Other Similar products are found below :

[600X518037X](#) [6STD15PCR99B70A](#) [8R4000A16M020](#) [8R5000A16M005](#) [1200910002](#) [1203580030](#) [1200910008](#) [1200910011](#) [1300140094](#)
[130203-0054](#) [1300140026](#) [1300150099](#) [1-3637-600-5205](#) [1612618](#) [21036836414](#) [8R4006A16M010](#) [1R3006A20M005](#) [41-40011](#) [42-00006](#)
[42-01015](#) [4-22279-4](#) [4-22281-1](#) [4-22284-9](#) [43-00113](#) [43-01203](#) [41-40013](#) [42-00008](#) [43-00343](#) [43-01026](#) [43-01162](#) [43-01173](#) [43-10000](#)
[XS3P-M421-2](#) [600X518050X](#) [8R5006A16M020](#) [8R5006A16M005](#) [8R4000A16M010](#) [6-22279-3](#) [1605332](#) [N03FA03144](#) [1300140077](#) [43-](#)
[16213](#) [43-01338](#) [XS2RD4265](#) [XS2R-D426-1](#) [XS8A-0441](#) [859RD04-103R004](#) [860RD04-113R004](#) [860RD04-213R004](#) [1-213245-2](#)