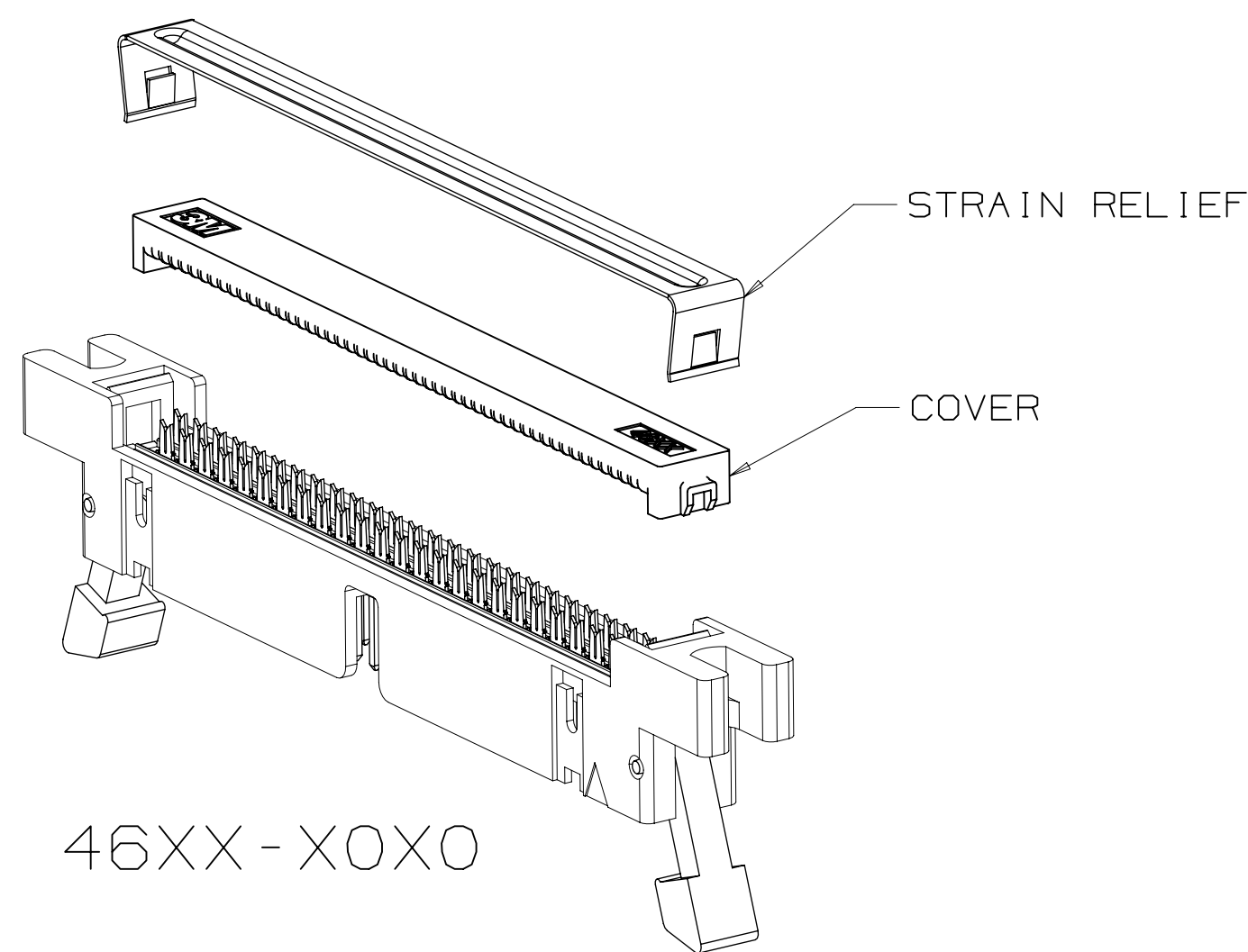
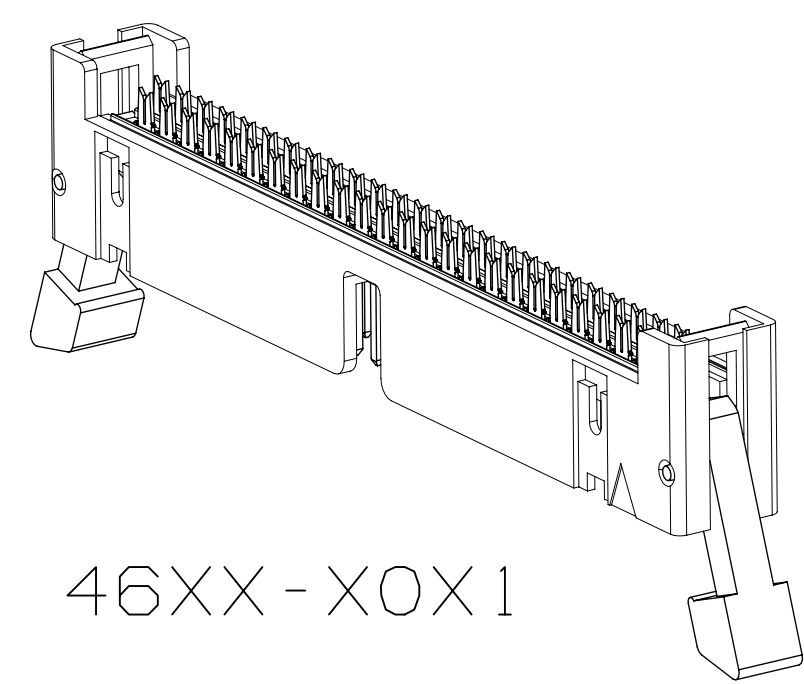


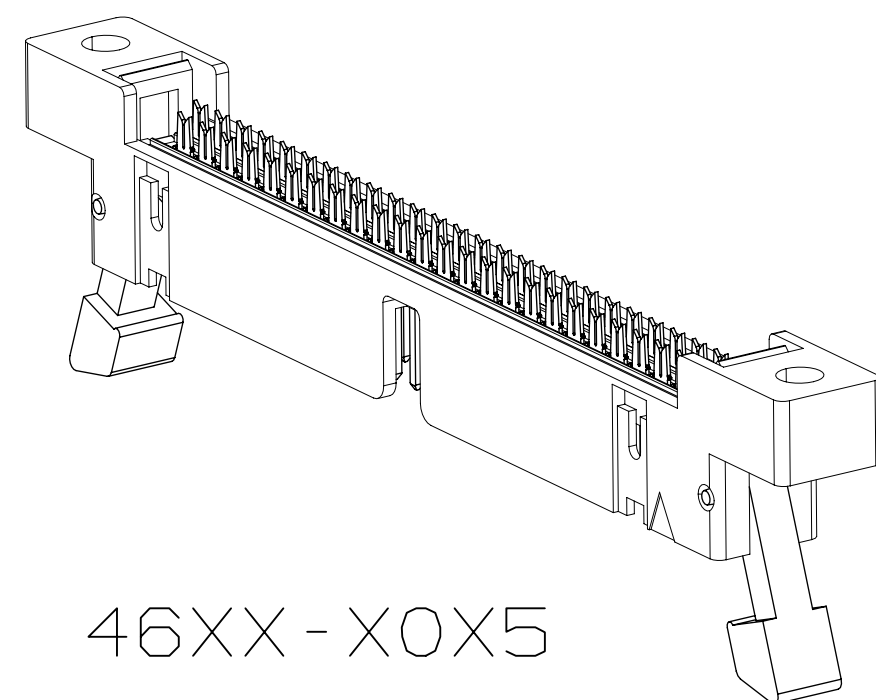
3M™ WIREMOUNT PLUG, 4600 SERIES  
 .100 X .100, LATCH/EJECT CONNECTOR FOR .050" PITCH CABLE



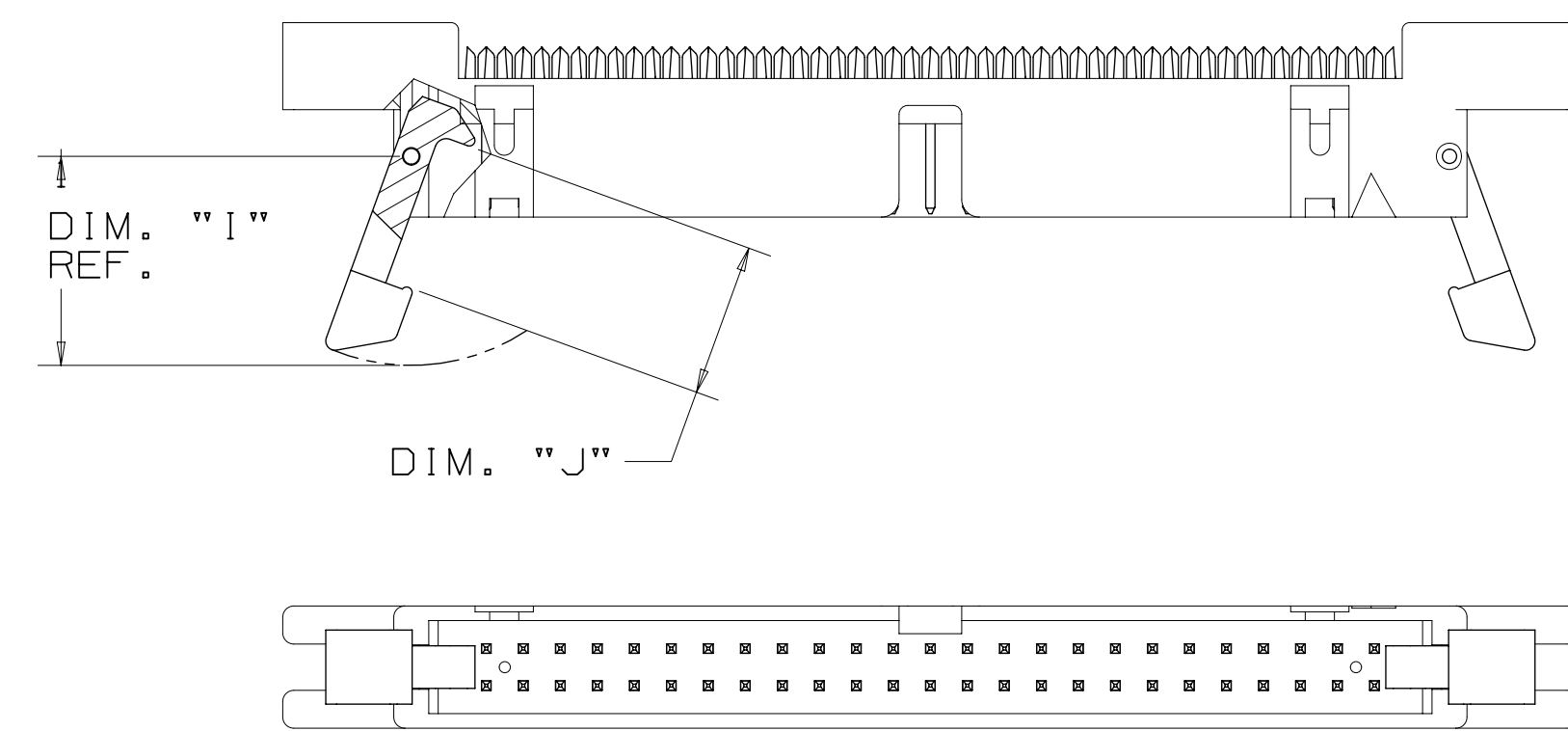
46XX-X0X0



46XX-X0X1



46XX-X0X5



PERFORMANCE:	
CURRENT RATING:	1.50 A, ALL CONTACTS POWERED 2.25 A, 6 CONTACTS POWERED 5.50 A, 1 CONTACT POWERED (RATING CONDITIONS: EIA-364-070, METHOD 2, 30° C MAXIMUM TEMPERATURE RISE)
UL & CUL VOLTAGE RATING:	125V <sub>ac</sub>
INSULATION RESISTANCE:	> 1 × 10 <sup>9</sup> Ohms AT 500 VDC
WITHSTANDING VOLTAGE:	1000 VACrms AT SEA LEVEL
OPERATING TEMPERATURE:	-55° C TO +105° C

AGENCY LISTINGS:  
 UNDERWRITERS LABORATORIES (UL): FILE No. E68080  
 UL RATINGS: TEMPERATURE: 130° C VOLTAGE: 125V CURRENT: 1.0A  
 CUL RATINGS: TEMPERATURE: 130° C VOLTAGE: 125V CURRENT: 1.0A

- NOTES
- REGULATORY INFORMATION:  
VISIT 3M.com/regs
  - IN THE EVENT OF CONFLICT BETWEEN THIS DATA AND THAT CONTAINED IN THE PRODUCT SPECIFICATION, THE PRODUCT SPECIFICATION TAKES PRECEDENT.

PHYSICAL:

INSULATOR: MATERIAL: GLASS FILLED POLYESTER (PBT)  
 FLAMMABILITY: UL94V-0  
 COLOR: GRAY  
 CONTACT: MATERIAL: COPPER ALLOY  
 PLATING:  
 UNDER PLATING: 100μ" [2.54μm] NICKEL-OVERALL  
 "U" SLOT: GOLD FLASH  
 WIPING AREA: 30μ" [0.76μm] GOLD  
 WIRE ACCOMMODATION: 26 AND 28 AWG SOLID AND STRANDED  
 MARKINGS: 3M LOGO AND LOT NUMBER

STRAIN RELIEF

(ORDER SEPARATELY)

3448-46XX

CONTACT QTY:  
(SEE TABLE 1)

ORDERING INFORMATION

46XX-XXXX

CONTACT QTY:  
(SEE TABLE 1)

COVER STYLE:  
 6=OPEN END  
 (DAISY CHAINING/BUSSING  
 STANDARD)  
 7=CLOSED END  
 (END CABLE TERMINATION)

EJECTOR/LATCH SYSTEM:  
 0=NONE (STANDARD)  
 2=SHORT EJECTOR LATCH (3505-16)  
 3=LONG EJECTOR LATCH (3505-17)

BODY STYLE:  
 0=W/MOUNTING FLANGE (STANDARD)  
 1=W/OUT MOUNTING FLANGE  
 5=MOUNTING FLANGE W/THREADED INSERT  
 FROM SOCKET MATING SIDE

POLARIZATION:  
 0=FOR CONTACT QTY 14 TO 64  
 0=FOR NOTCH C ON 10 POSITION  
 5=FOR NOTCH B ON 10 POSITION

ASSEMBLY TOOLS:  
 3M™ PRESS 3640 (OR EQUIVALENT),  
 3M™ LOCATOR PLATE 3443-96,  
 3M™ PLATTEN 3442-9

DIMENSIONS: INCH [MM]  
 [MM] FOR REF. ONLY

DESIGN REFERENCE	NEXT ASSEMBLY	REV	ECO	ISSUE DATE AND DESCRIPTION	DRFT	CHKD
		E	96508	APR 08, 2021 ADD U-SLOT GOLD FLASH NOTE	JNC	SAN
		D	94220	FEB 11, 2021 REVISED AND REDRAWN	JNC	SAN
DESIGN CODES		CHKD	CASTIGLIONE	DATE FEB 10, 2021	APPRV	DATE FEB 10, 2021
DIVISION	DIVISION CODE	© 3M COPYRIGHT 2021 This document and the information it contains are 3M property and may not be reproduced or further distributed without 3M permission, or used or disclosed other than for 3M authorized purposes. All rights reserved.				
DO NOT SCALE DRAWING	SCALE 2/1	TOLERANCES EXCEPT AS NOTED		INCHES: .00 ±.01 .0000 ±.0005 .00000 ±.00020		
THIRD ANGLE PROJECTION	INTERPRET PER ASME Y14.5 - 2018	MILLIMETERS		0 ± .00 ± .000 ± .000 ±		
MAX SURFACE ROUGHNESS	DTX SURFACES	MARKED ONLY		ANGLE ±		
CAGE NUMBER		SIZE	DRAWING NO.	REV.		
D		4600	78-5100-0086-8	E		
MODEL		DEF	LISTS	YES	NO	SHT 1 OF 4

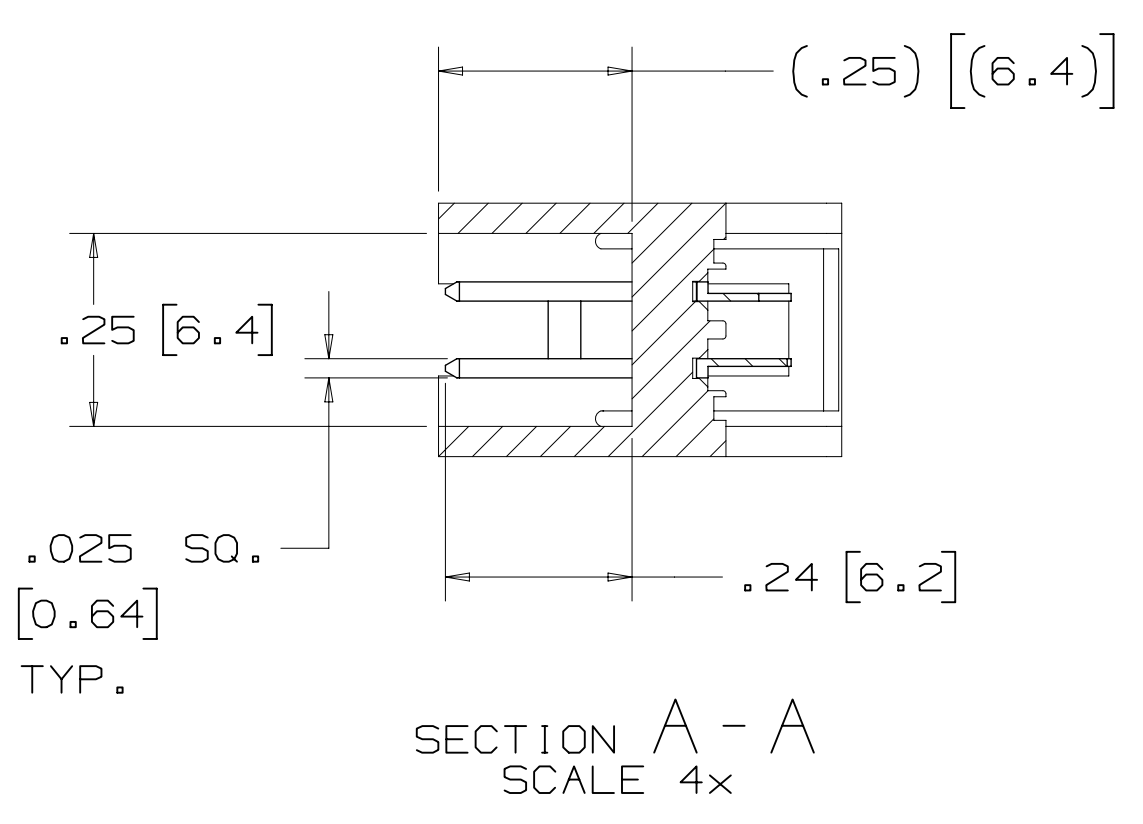
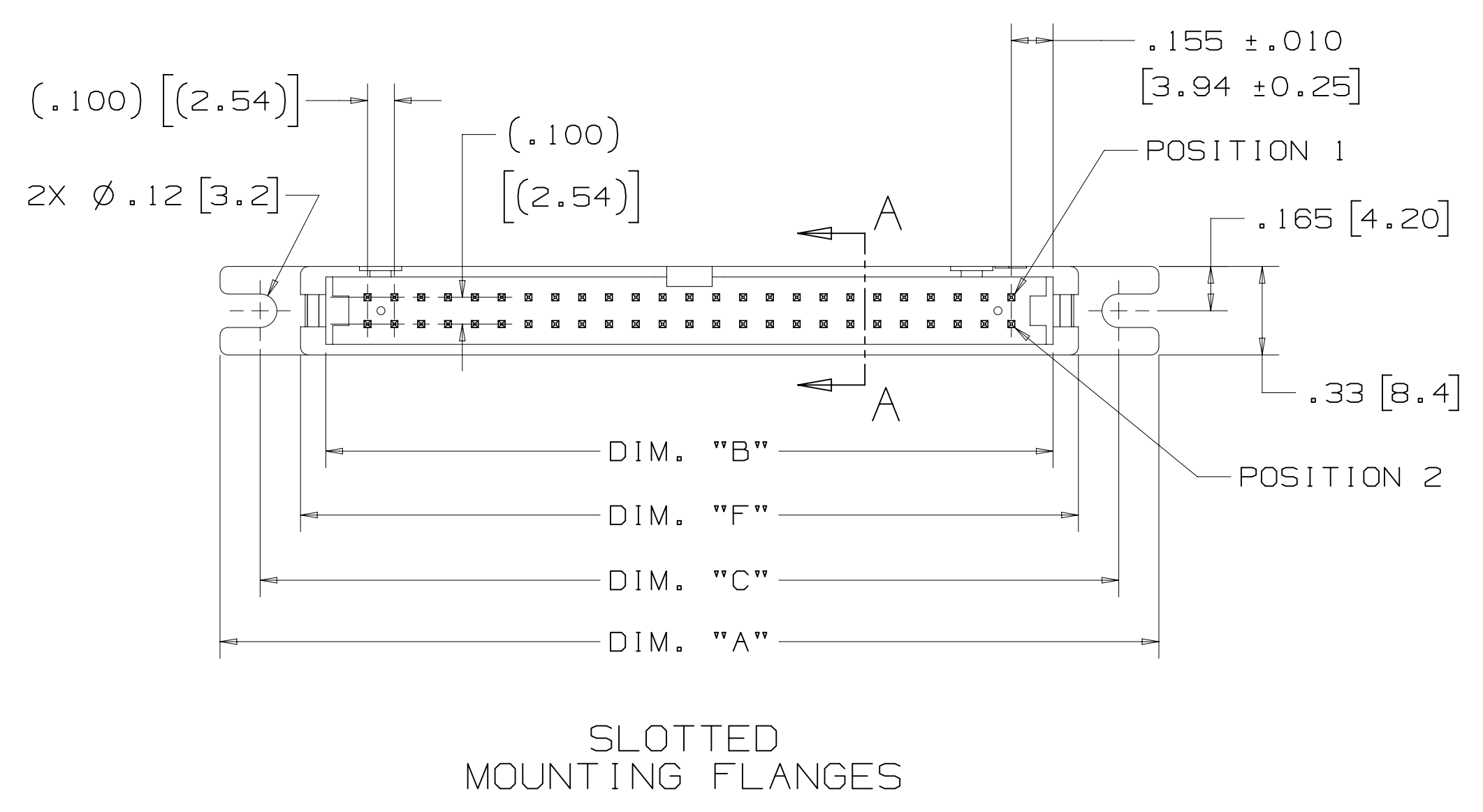
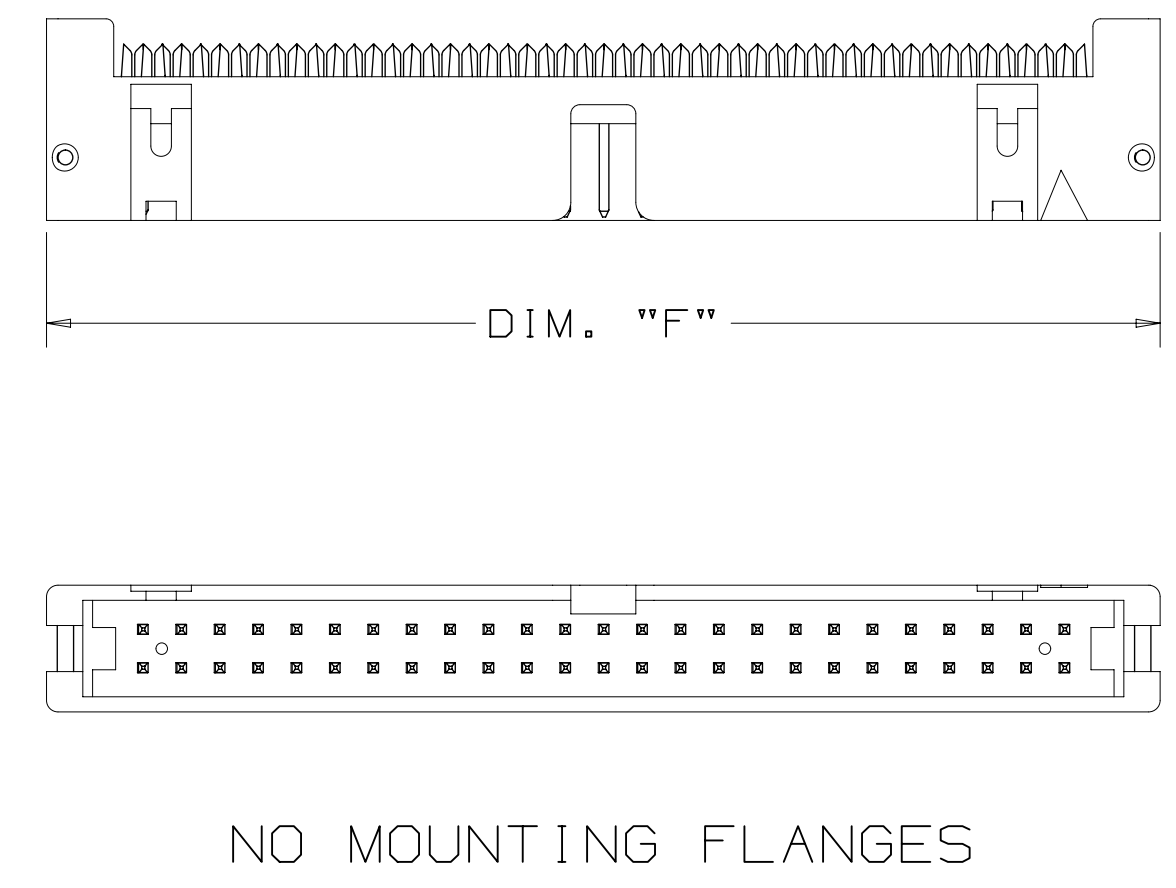
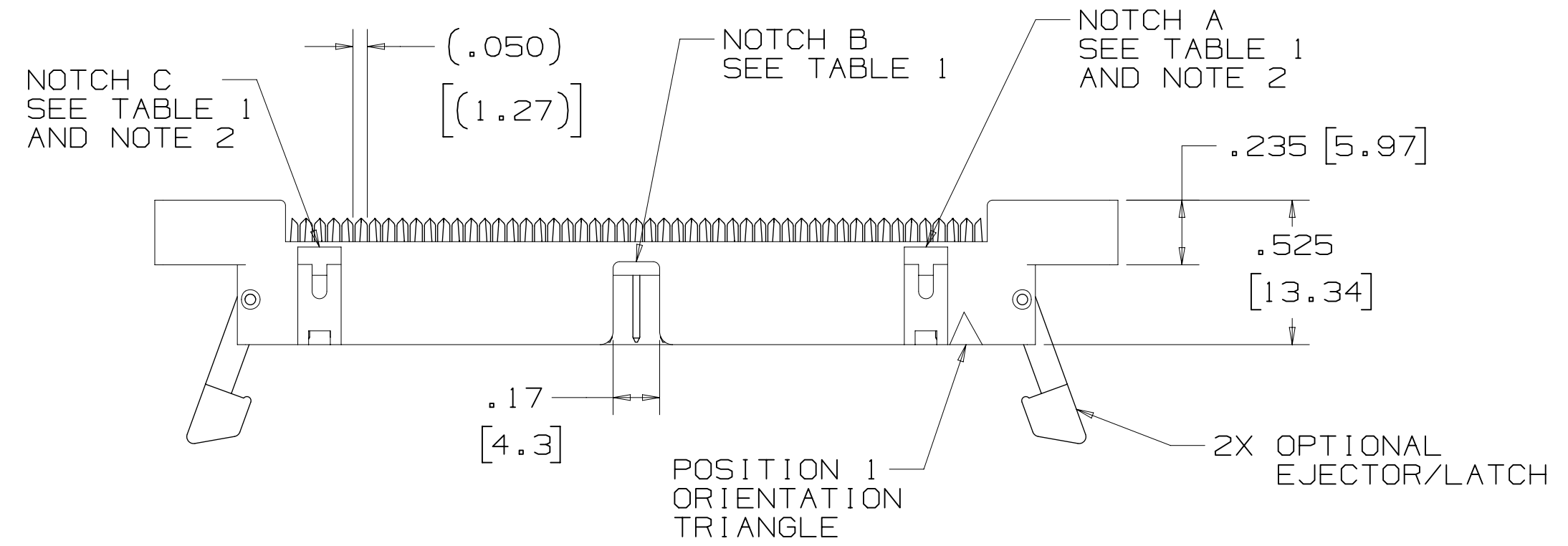
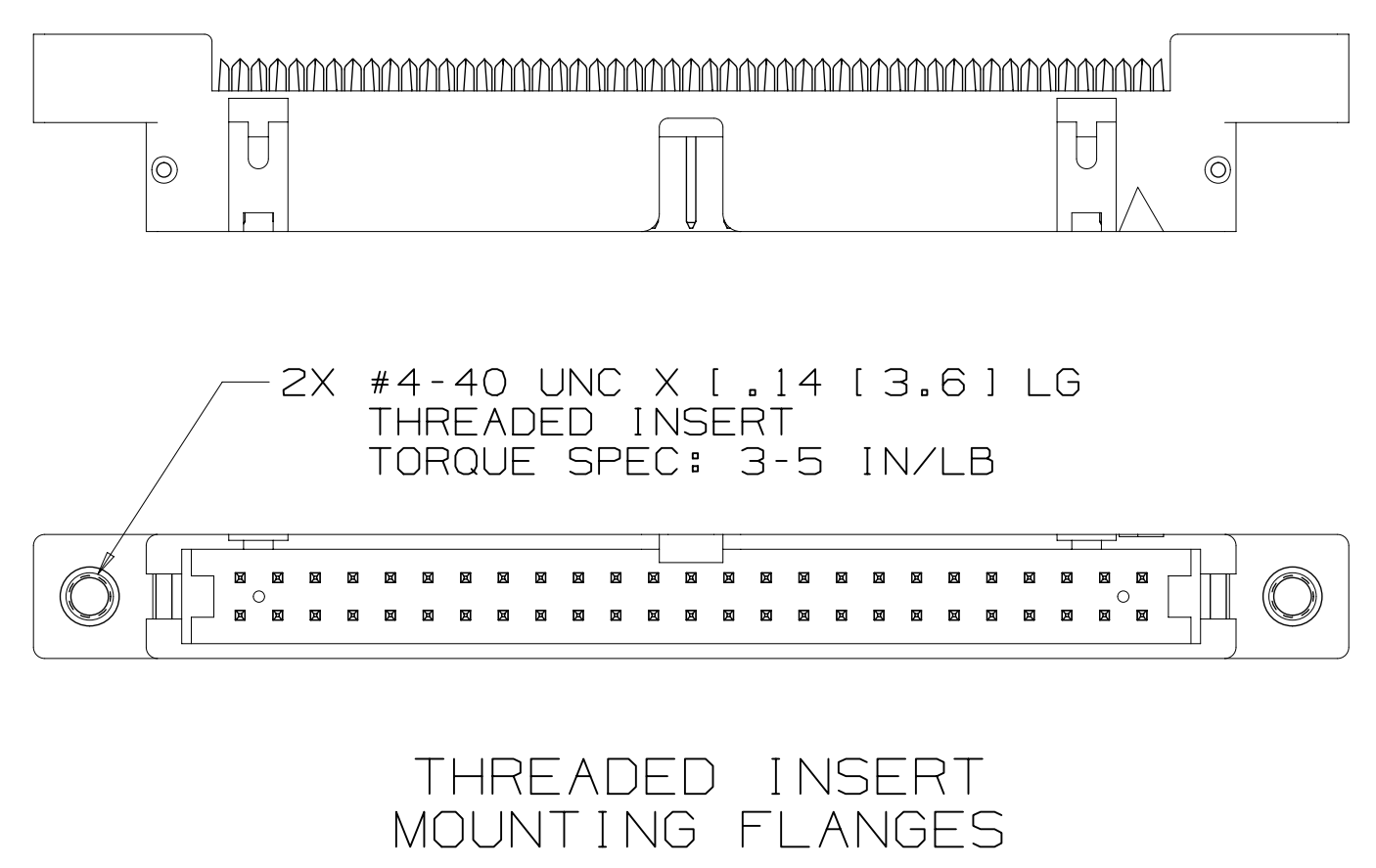
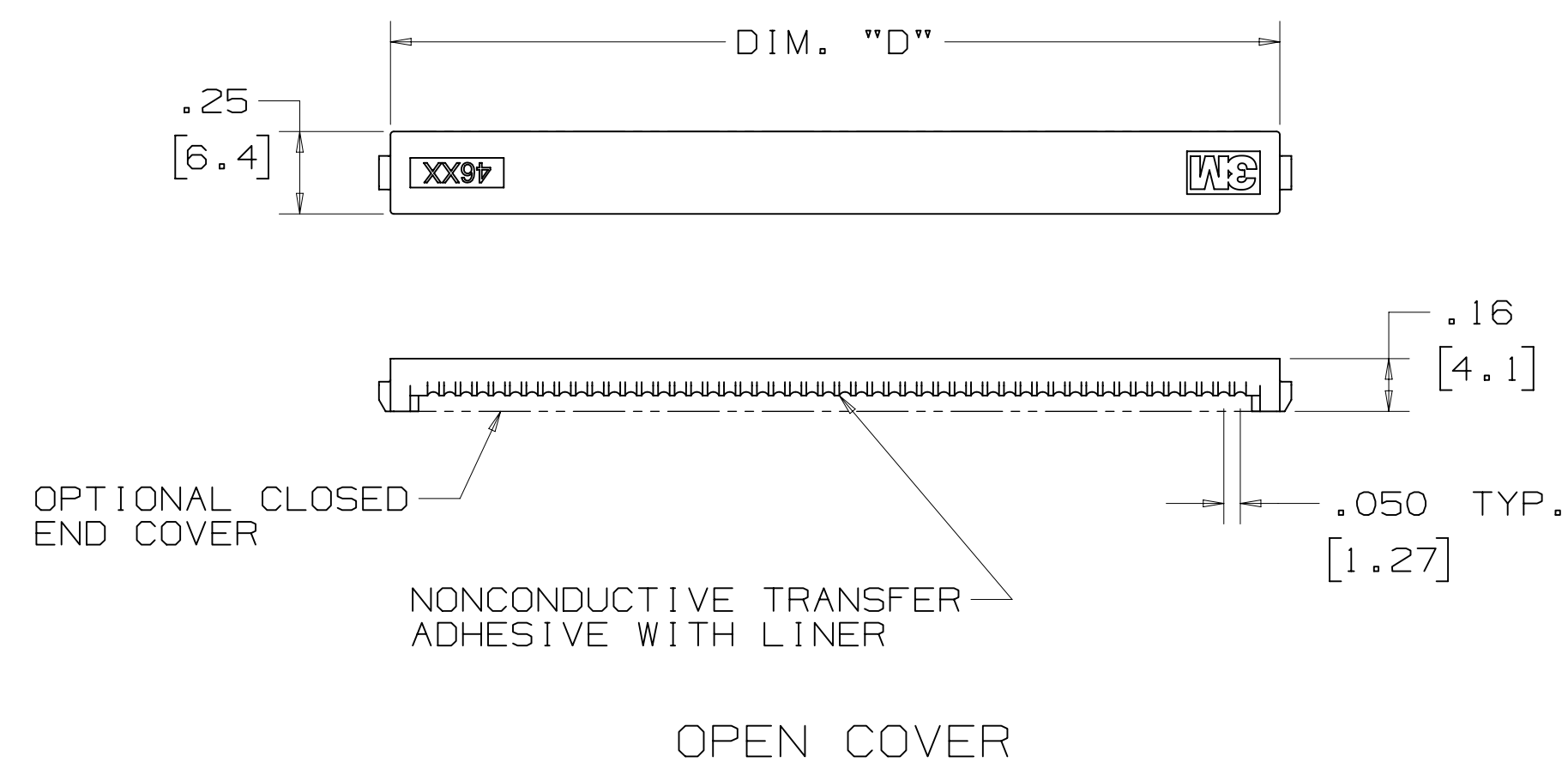
3M ELECTRONICS MATERIALS SOLUTIONS DIVISION  
 INTERCONNECT SOLUTIONS  
<http://www.3M.com/interconnect>

3M IS A TRADEMARK OF 3M COMPANY.  
 FOR TECHNICAL, SALES OR ORDERING  
 INFORMATION CALL 800-225-5373

**3M**  
 UL FILE NO: E68080

3M™ WIREMOUNT PLUG, 4600 SERIES  
 .100 X .100, LATCH/EJECT CONNECTOR FOR .050" PITCH CABLE

- NOTES
- 1 POLARIZATION OF 10 POSITION PRODUCT CAN BE EITHER:  
 - CENTER NOTCH B: 4610-XX5X  
 - NOTCH C: 4610-XX0X.
  - 2 NOTCHES A AND C WILL ACCOMMODATE 3M POLARIZATION KEY PART NO. 3518.



3M ELECTRONICS MATERIALS SOLUTIONS DIVISION  
 INTERCONNECT SOLUTIONS  
<http://www.3M.com/interconnect>  
 3M IS A TRADEMARK OF 3M COMPANY.  
 FOR TECHNICAL, SALES OR ORDERING  
 INFORMATION CALL 800-225-5373

DESIGN REFERENCE	NEXT ASSEMBLY	REV	ECO	ISSUE DATE AND DESCRIPTION	DRFT	CHKD
		E	96508	APR 08, 2021 ADD U-SLOT GOLD FLASH NOTE	JNC	SAN
		D	94220	FEB 11, 2021 REVISED AND REDRAWN	JNC	SAN
				FEB 10, 2021		

DO NOT SCALE DRAWING	SCALE	TOLERANCES EXCEPT AS NOTED	3M
	2/1	INCHES: .00 ± .01 .000 ± .005 .0000 ± .0002	© 3M COPYR[IGHT] 2021 3M property and may not be reproduced or further distributed without 3M permission, or used or disclosed other than for 3M authorized purposes. All rights reserved.
		MILLIMETERS: 0 ± .05 .00 ± .005 0.00 ± .002	
		INTERPRET PER ASME Y14.5 - 2018	
		MAX SURFACE ROUGHNESS	
		MARKED ONLY	

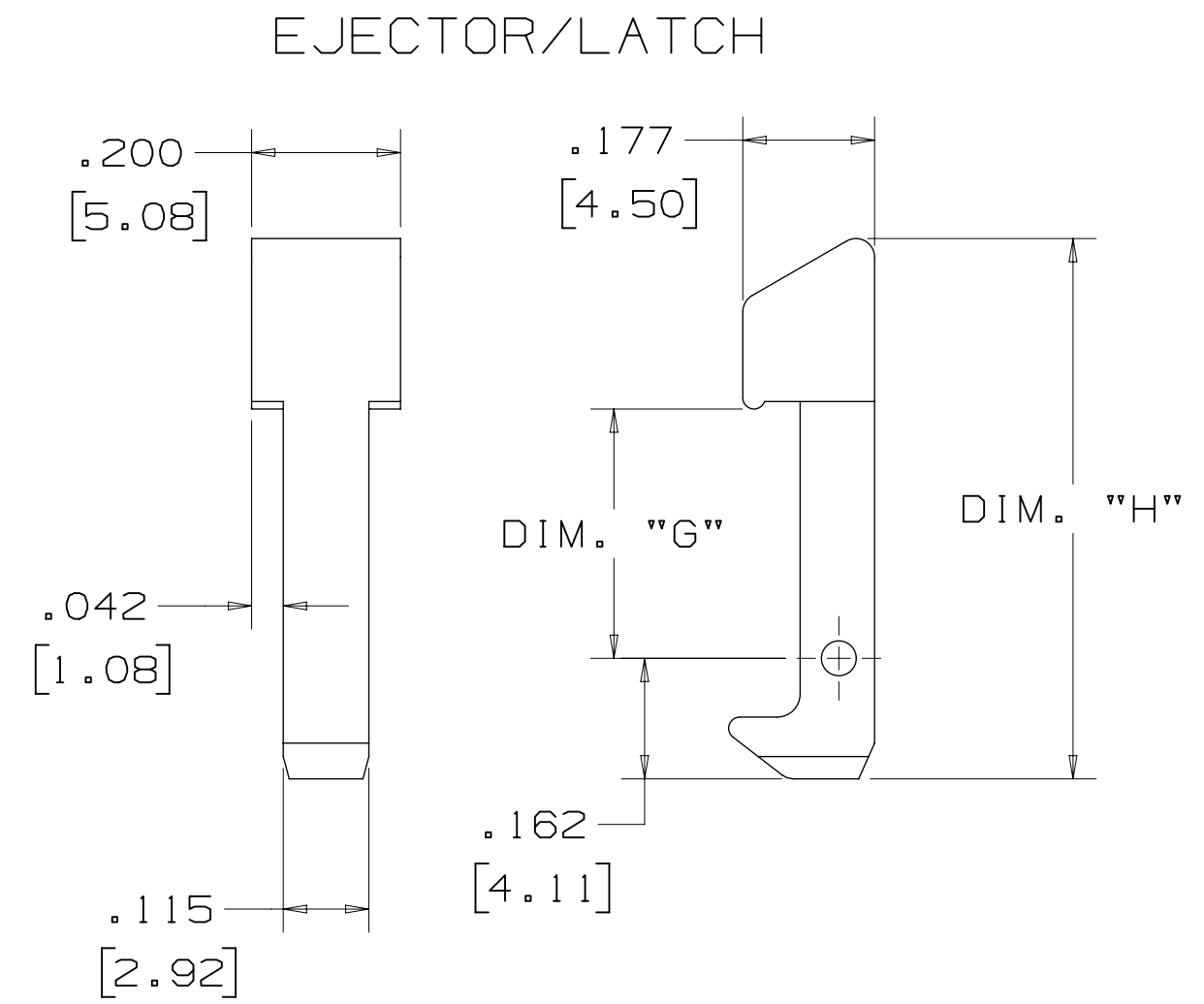
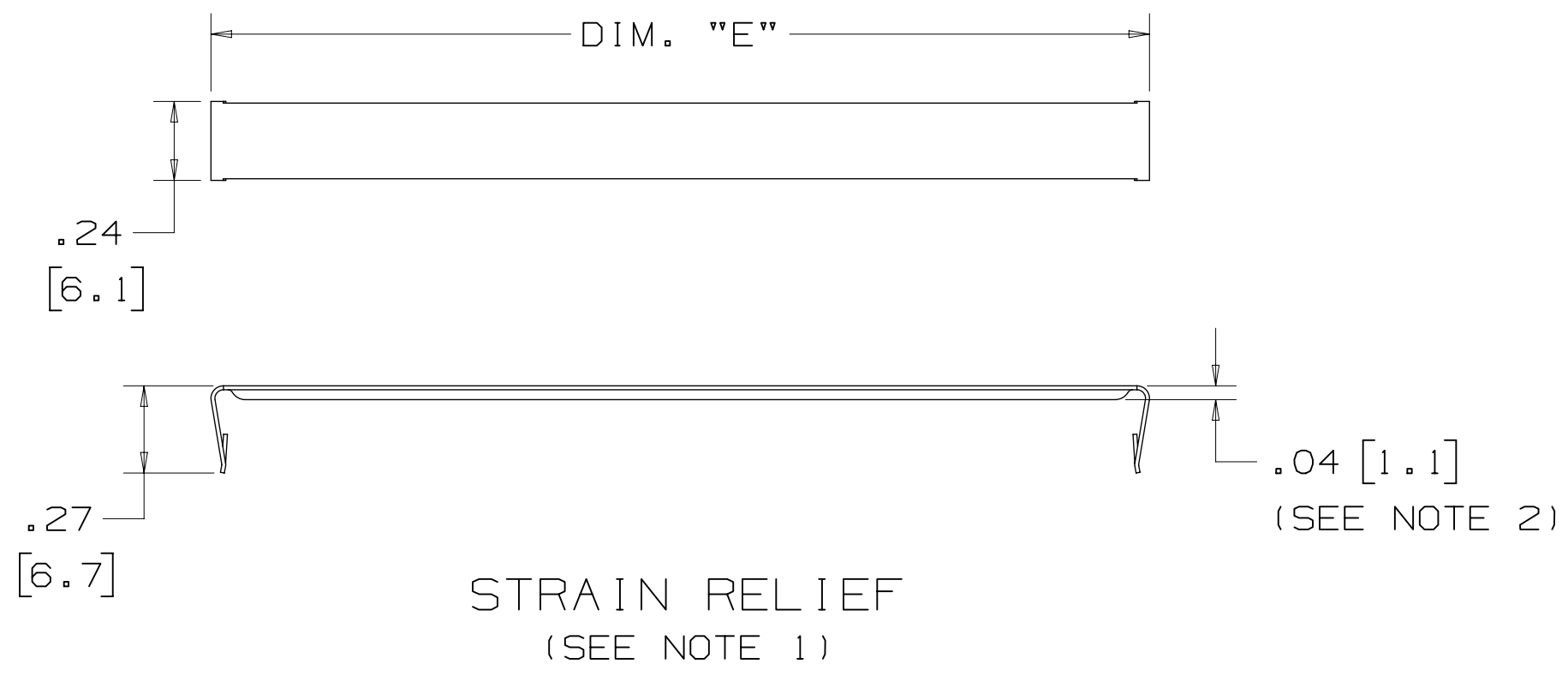
  

TITLE	CAGE NUMBER	SIZE	DRAWING NO.	REV.
WIREMOUNT PLUG CONN., LATCH/EJECT, .100 X .100	D		78-5100-0086-8	E
			4600	

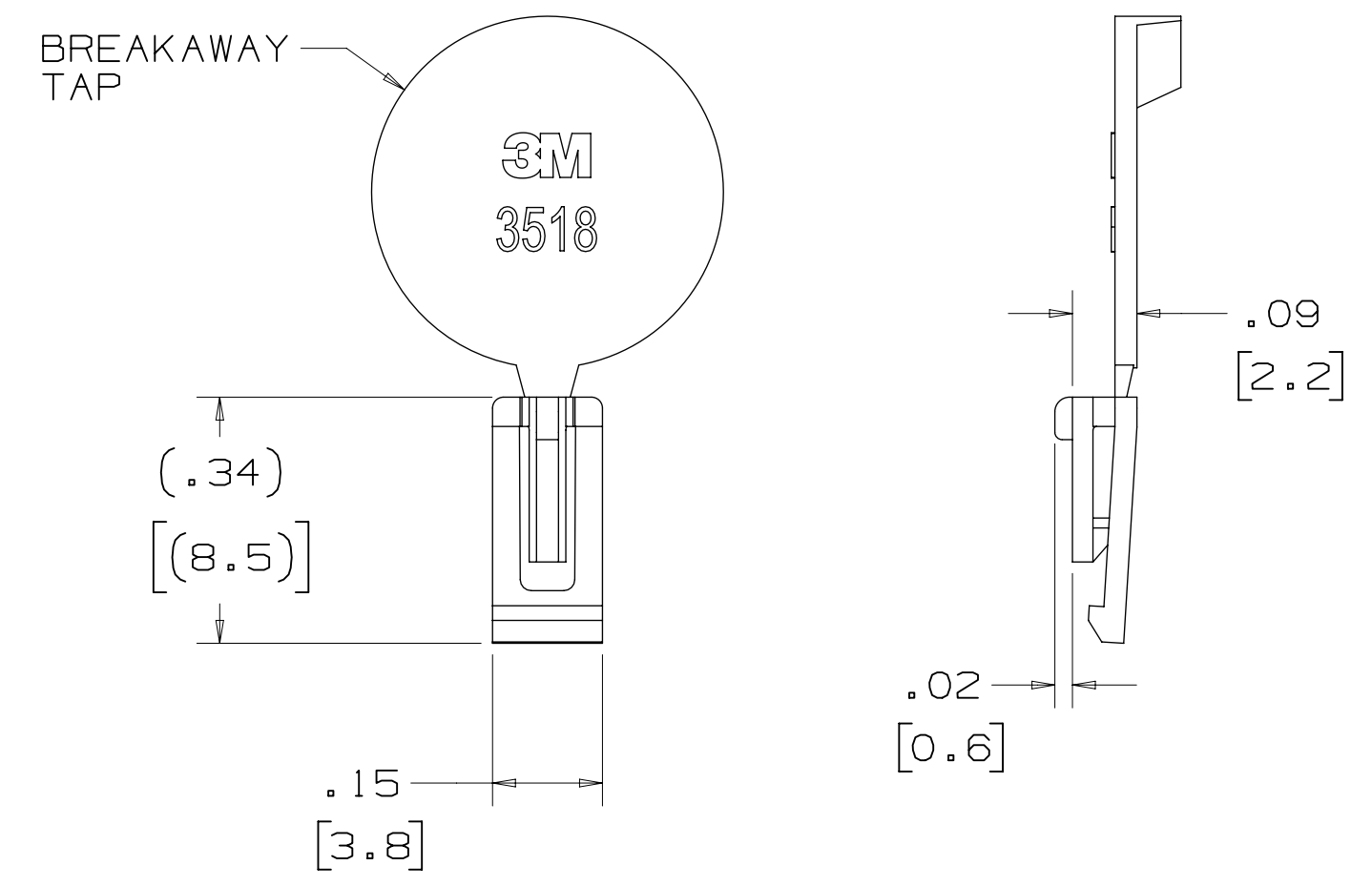
3M™ WIREMOUNT PLUG, 4600 SERIES  
 .100 X .100, LATCH/EJECT CONNECTOR FOR .050" PITCH CABLE

- NOTES
- MATERIAL: .012 (0.30) THK STAINLESS STEEL.
  - THE DISTANCE FROM THE STRAIN RELIEF TO THE CONNECTOR IS EQUAL TO .04 (1.0) PLUS THE CABLE THICKNESS.
  - POLARIZATION OF 10 POSITION PRODUCT CAN BE EITHER:  
 - CENTER NOTCH B: 4610-XX5X  
 - NOTCH C: 4610-XX0X.

PIN QTY.	DIM. "A"	DIM. "B"	DIM. "C"	DIM. "D"	DIM. "E"	DIM. "F"	POLARIZING NOTCHES PROVIDED
10	1.50 [38.1]	.71 [18.0]	1.20 [30.5]	.77 [19.6]	.85 [21.6]	.90 [22.9]	B OR C (SEE NOTE 3)
14	1.70 [43.2]	.91 [23.1]	1.40 [35.6]	.97 [24.6]	1.05 [26.7]	1.10 [27.9]	B, C
16	1.80 [45.7]	1.01 [25.7]	1.50 [38.1]	1.07 [27.2]	1.15 [29.2]	1.20 [30.5]	A, B, C
20	2.00 [50.8]	1.21 [30.7]	1.70 [43.2]	1.27 [32.3]	1.35 [34.3]	1.40 [35.6]	A, B, C
24	2.20 [55.9]	1.41 [35.8]	1.90 [48.3]	1.47 [37.3]	1.55 [41.9]	1.60 [40.6]	A, B, C
26	2.30 [58.4]	1.51 [38.4]	2.00 [50.8]	1.57 [39.9]	1.65 [46.9]	1.70 [43.2]	A, B, C
30	2.50 [63.5]	1.71 [43.4]	2.20 [55.9]	1.77 [45.0]	1.85 [47.1]	1.90 [48.3]	A, B, C
34	2.70 [68.6]	1.91 [48.5]	2.40 [61.0]	1.97 [50.0]	2.05 [52.1]	2.10 [53.3]	A, B, C
36	2.80 [71.1]	2.01 [51.1]	2.50 [63.5]	2.07 [52.6]	2.15 [54.6]	2.20 [55.9]	A, B, C
40	3.00 [76.2]	2.21 [56.1]	2.70 [68.6]	2.27 [57.7]	2.35 [59.7]	2.40 [61.0]	A, B, C
50	3.50 [88.9]	2.71 [68.8]	3.20 [81.3]	2.77 [70.4]	2.85 [72.4]	2.90 [73.7]	A, B, C
60	4.00 [101.6]	3.21 [81.5]	3.70 [94.0]	3.27 [83.1]	3.35 [85.1]	3.40 [86.4]	A, B, C
64	4.20 [106.7]	3.41 [86.6]	3.90 [99.1]	3.47 [88.1]	3.55 [90.2]	3.60 [91.4]	A, B, C



POLARIZING KEY  
 3M PART NO: 3518  
 (ORDER SEPARATELY)



3M PART NO.	MATERIAL	COLOR
N3518	LCP	BLACK

EJECTOR/LATCH OPTION	PART NUMBER	DIM. "G"	DIM. "H"	DIM. "I"	DIM. "J"	MATERIAL	COLOR
SHORT	3505-16	.335 [8.51]	.726 [18.44]	.92 [23.4]	.41 [10.4]	PBT	GRAY
LONG	3505-17	.484 [12.29]	.875 [22.23]	1.07 [27.2]	.56 [14.2]		

3M ELECTRONICS MATERIALS SOLUTIONS DIVISION  
 INTERCONNECT SOLUTIONS  
<http://www.3m.com/interconnect>  
 3M IS A TRADEMARK OF 3M COMPANY.  
 FOR TECHNICAL, SALES OR ORDERING  
 INFORMATION CALL 800-225-5373

DESIGN REFERENCE	NEXT ASSEMBLY	REV	ECO	ISSUE DATE AND DESCRIPTION	DRFT	CHKD
DIVISION		DIVISION CODE		DATE		
DO NOT SCALE DRAWING		SCALE 4/1		DATE		
THIRD ANGLE PROJECTION		TOLERANCES EXCEPT AS NOTED		DATE		
INTERPRET PER ASME Y14.5 - 2018		INCHES: .00 ± .01, .000 ± .0005, .0000 ± .0002		DATE		
MAX SURFACE ROUGHNESS		MILLIMETERS: 0 ±, .00 ±, .000 ±		DATE		
MARKED ONLY		ANGLES		DATE		
3M		© 3M COPYRIGHT 2021		DATE		
TITLE		WIREMOUNT PLUG		DATE		
CAGE NUMBER		DRAWING NO.		DATE		
D 78-5100-0086-8		E		DATE		
MODEL		4600		DATE		
SHT		3 OF 4		DATE		

3M™ WIREMOUNT PLUG, 4600 SERIES  
 .100 X .100, LATCH/EJECT CONNECTOR FOR .050" PITCH CABLE

Regulatory: For regulatory information about this product, visit 3M.com/regs or contact your 3M representative.

Technical Information: The technical information, recommendations and other statements contained in this document are based upon tests or experience that 3M believes are reliable, but the accuracy or completeness of such information is not guaranteed.

Product Use: Many factors beyond 3M's control and uniquely within user's control can affect the use and performance of a 3M product in a particular application. Given the variety of factors that can affect the use and performance of a 3M product, user is solely responsible for evaluating the 3M product and determining whether it is fit for a particular purpose and suitable for user's method of application.

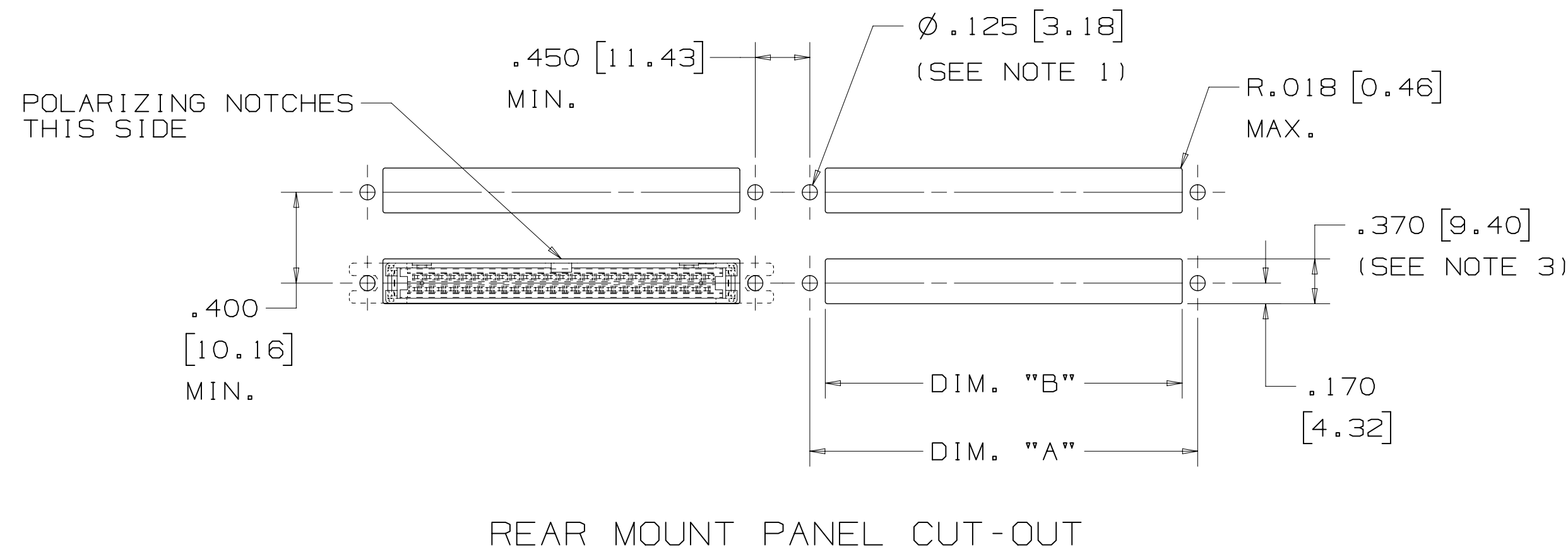
Warranty, Limited Remedy, and Disclaimer: Unless an additional warranty is specifically stated on the applicable 3M product packaging or product literature, 3M warrants that each 3M product meets the applicable 3M product specification at the time 3M ships the product. 3M MAKES NO OTHER WARRANTIES OR CONDITIONS, EXPRESS OR IMPLIED, INCLUDING, BUT NOT LIMITED TO, ANY IMPLIED WARRANTY OR CONDITION OF MERCHANTABILITY OR FITNESS FOR A PARTICULAR PURPOSE OR ANY IMPLIED WARRANTY OR CONDITION ARISING OUT OF A COURSE OF DEALING, CUSTOM OR USAGE OR TRADE. If the 3M product does not conform to this warranty, then the sole and exclusive remedy is, at 3M's option, replacement of the 3M product or refund of the purchase price.

Limitation of Liability: Except where prohibited by law, 3M will not be liable for any loss or damage arising from the 3M product, whether direct, indirect, special, incidental or consequential, regardless of the legal theory asserted, including warranty, contract, negligence or strict liability.

3M Company  
 Electronics Materials Solutions Division  
 13011 McCallen Pass, Bldg. C  
 Austin, TX 78753-5380  
 1-800-225-5373  
 www.3M.com/interconnect

NOTES	
1	ACCEPTS #4 PAN HEAD MACHINE SCREW.
2	FOR A REAR MOUNT PLUG CONNECTOR WITH EJECTOR/LATCHES, THE RECOMMENDED MAXIMUM PANEL THICKNESS IS .125 [3.18].
3	WITHOUT POLARIZING KEYS .340 [8.64].

TABLE 3			
PIN QTY.	PART NUMBER	DIM. "A"	DIM. "B"
10	4610	1.200 [30.48]	.945 [24.00]
14	4614	1.400 [35.56]	1.145 [29.08]
16	4616	1.500 [38.10]	1.245 [31.62]
20	4620	1.700 [43.18]	1.445 [36.70]
24	4624	1.900 [48.26]	1.645 [41.78]
26	4626	2.00 [50.80]	1.745 [44.32]
30	4630	2.200 [55.88]	1.945 [49.40]
34	4634	2.400 [60.96]	2.145 [54.48]
36	4636	2.500 [63.50]	2.245 [57.02]
40	4640	2.700 [68.58]	2.445 [62.10]
50	4650	3.200 [81.28]	2.945 [74.80]
60	4660	3.700 [93.98]	3.445 [87.50]
64	4664	3.900 [99.06]	3.645 [92.58]



3M ELECTRONICS MATERIALS SOLUTIONS DIVISION  
 INTERCONNECT SOLUTIONS  
<http://www.3M.com/interconnect>

3M IS A TRADEMARK OF 3M COMPANY.  
 FOR TECHNICAL, SALES OR ORDERING  
 INFORMATION CALL 800-225-5373

DESIGN REFERENCE	NEXT ASSEMBLY	REV	ECO	ISSUE DATE AND DESCRIPTION	DRFT	CHKD
APPROVED	DATE	APPROVED	DATE	DATE		
CASTIGLIONE	FEB 10, 2021	S. NEU	FEB 10, 2021	FEB 10, 2021		
DIVISION		DIVISION CODE		EMSD		
DO NOT SCALE DRAWING	SCALE 4/1	TOLERANCES EXCEPT AS NOTED		© 3M COPYRIGHT 2021 This document and the information it contains are 3M property and may not be reproduced or further distributed without 3M permission, or used or disclosed other than for 3M authorized purposes. All rights reserved.		
THIRD ANGLE PROJECTION	INTERPRET PER ASME Y14.5 - 2018	MILLIMETERS		TITLE WIREMOUNT PLUG CONN., LATCH/EJECT, .100 X .100		
MAX SURFACE ROUGHNESS	DT SURFACES	MILLIMETERS		CAGE NUMBER D 78-5100-0086-8		
MARKED ONLY	ANGLES	MILLIMETERS		MODEL 4600		
				REV.	E	
				REV.	E	

## X-ON Electronics

Largest Supplier of Electrical and Electronic Components

*Click to view similar products for [Headers & Wire Housings](#) category:*

*Click to view products by [3M](#) manufacturer:*

Other Similar products are found below :

[892-18-020-10-001101](#) [58102-G61-06LF](#) [582553-1](#) [0009485154](#) [009176003701906](#) [0050291907](#) [LY20-4P-DT1-P1E-BR](#) [02.125.8002.8](#)  
[609-3404](#) [61062-3](#) [622-0430](#) [622-3653LF](#) [63453-116](#) [636-1030](#) [636-1427](#) [636-3427](#) [636-4007](#) [641938-9](#) [641991-4](#) [644827-2](#) [65817-010LF](#)  
[65817-015LF](#) [65863-015LF](#) [66207-023LF](#) [67095-007LF](#) [67601157](#) [68648-049](#) [70.362.1628.0](#) [70-4210](#) [70-4226B](#) [70-4853B](#) [707-5020](#) [707-5028](#) [71.350.2428.0](#) [71918-208LF](#) [71961-016LF](#) [733-134](#) [733-162](#) [754199-000](#) [760-3052](#) [787-8014-00](#) [79531-3000](#) [FCN-360C032-B](#) [FCN-367T-T012/H](#) [FCN-723D010/2](#) [80.063.4001.1](#) [800-90-001-10-001000](#) [800-90-010-10-002000](#) [801-43-002-10-013000](#) [801-43-006-10-002000](#)