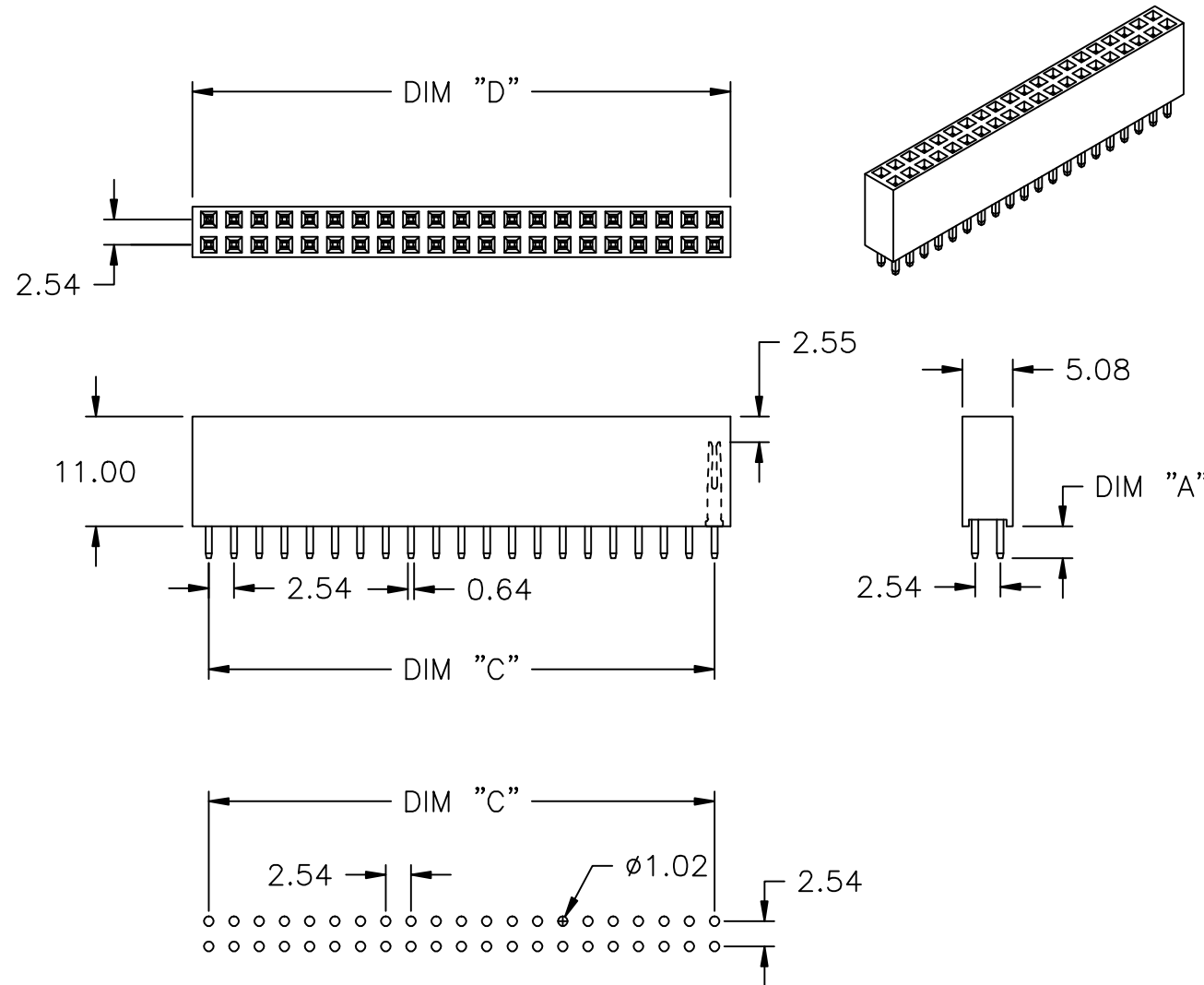


3M™ CONNECTOR FOR PC104 EMBEDDED SYSTEM APPLICATIONS,
COMPLIANT AND BUS COMPATIBLE



RECOMMENDED P.C.B LAYOUT
TOLERANCES: ± 0.05 mm

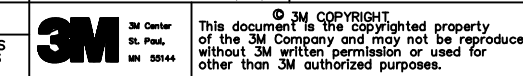
TYPE	PART NO.	DIM "A"	DIM "C"	DIM "D"	MIN STANDOFF	MAX STANDOFF
40-PIN COMPLIANT NON-STACK-THRU SOLDER	4P01-2A02-XX	3.20	48.26	51.50	15.0	
40-PIN BUS COMPATIBLE STACK-THRU SOLDER	4P01-2B02-XX	6.00	48.26	51.50	11.3	13.0
40-PIN COMPLIANT STACK-THRU SOLDER	4P01-2C02-XX	7.90	48.26	51.50	11.3	14.9
40-PIN COMPLIANT STACK-THRU SOLDER	4P01-2D02-XX	12.00	48.26	51.50	15.0	19.0
64-PIN COMPLIANT NON-STACK-THRU SOLDER	4P02-2A02-XX	3.20	78.74	81.98	15.0	
64-PIN BUS COMPATIBLE STACK-THRU SOLDER	4P02-2B02-XX	6.00	78.74	81.98	11.3	13.0
64-PIN COMPLIANT STACK-THRU SOLDER	4P02-2C02-XX	7.90	78.74	81.98	11.3	14.9
64-PIN COMPLIANT STACK-THRU SOLDER	4P02-2D02-XX	12.00	78.74	81.98	15.0	19.0

-XX IS PLATING TYPE

NOTES:

- MATERIAL:
CONTACT MATERIAL: PHOSPHOR BRONZE
INSULATOR MATERIAL: POLYESTER NYLON-6T UL 94V-0
- PLATING: $\mu\text{M}[\mu\text{m}]$
-DA
0.08[3] MIN Au FEMALE CONTACTS
0.08[3] MIN Au MALE CONTACTS
1.27[50] MIN Ni UNDERCOAT
-MG
0.38[15] MIN Au FEMALE CONTACTS
0.08[3] MIN Au MALE CONTACTS
1.27[50] MIN Ni UNDERCOAT
-SL
0.38[15] MIN Au FEMALE CONTACTS
2.54[100] MIN Sn NON-STACK-THRU TAILS
1.27[50] MIN Ni UNDERCOAT
- CURRENT RATING: 3 AMPS
INSULATOR RESISTANCE: 5000 MEGA OHMS MIN
CONTACT RESISTANCE: 20 MILLIOHMS MAX
DIELECTRIC WITHSTAND: 1000 VAC
OPERATING TEMPERATURE: -40°C TO $+105^{\circ}\text{C}$
MAX PROCESSING TEMPERATURE; 230°C FOR 60 SECONDS
 260°C FOR 10 SECONDS
- SEE THE REGULATORY INFORMATION APPENDIX (RIA) IN THE "ROHS COMPLIANCE" SECTION OF: WWW.3MCONNECTOR.COM FOR COMPLIANCE INFORMATION (RIA E1 & C1 APPLY).
- IN THE EVENT OF CONFLICT BETWEEN THIS DATA AND THAT CONTAINED IN THE PRODUCT SPEC., THE PRODUCT SPEC. TAKES PRECEDENT.
- REFERENCE DOCUMENT 78-9101-3959-7
- PART NO: SEE TABLE

DESIGN REFERENCE	NEXT ASSEMBLY	REV	ECO	ISSUE DATE AND DESCRIPTION	DRFT	CHKD
				DATE 02/02/11 MFG		DATE
				DATE 02/02/11 APPL		DATE
DO NOT SCALE DRAWING		SCALE		TOLERANCES EXCEPT AS NOTED		
THIRD ANGLE PROJECTION		INCHES		MILLIMETERS		
INTERPRET PER ASME Y14.5 - 1994		0 ± .3		0 ± .20		
MAX SURFACE ROUGHNESS		0.00 ± .20		0.00 ± .20		
<input type="checkbox"/> ALL SURFACES <input checked="" type="checkbox"/> MARKED ONLY		ANGLES ±		CAGE NUMBER 78-5100-2392-8		
		MODEL		DRAWING NO. 78-5100-2392-8		
		ANGLES ±		REV. A		
		ANGLES ±		DET. LISTS YES NO SHT 1 OF 2		



TITLE
4P0X-2X02-XX, PC104,
COMPLIANT, CONNECTORS

3M™ CONNECTOR FOR PC104 EMBEDDED SYSTEM APPLICATIONS,
COMPLIANT AND BUS COMPATIBLE

PC104 CONNECTOR ORDERING GUIDE

4P 0 X - 2 X 0 2 - XX

PRODUCT FAMILY: PC104

No. CONTACTS:
1=40
2=64

PLATING OPTIONS: $\mu\text{M}[\mu\text{"}]$

BODY HEIGHT:	TAIL LENGTH:	STANDOFF HEIGHT: [MIN-MAX]mm
A=11.0	3.2	[15.0-]
B=11.0	6.0	[11.3-13.0]
C=11.0	7.9	[11.3-14.9]
D=11.0	12.0	[15.0-19.0]


DA = 0.08[3] MIN Au ALL OVER
1.27[50] MIN Ni ALL OVER

MG = 0.38[15] MIN Au FEMALE CONTACTS
0.08[3] MIN Au TAIL AREA
1.27[50] MIN Ni ALL UNDER

SL = 0.38[15] MIN Au FEMALE CONTACTS
2.54[100] MIN MATTE Sn TAILS
1.27[50] MIN Ni ALL UNDER
(NON-STACK-THRU ONLY)

TAIL TYPE:
2=SOLDER

NOTE: STANDOFF HEIGHT, 15mm = COMPLIANT,
OTHERS = BUS COMPATIBLE
TAIL LENGTH, > 4.3mm = STACK-THRU
< 4.2mm = NON-STACK-THRU

DESIGN REFERENCE	NEXT ASSEMBLY	REV	ECO	ISSUE DATE AND DESCRIPTION	DRFT	CHKD
DISTRIBUTION CODES		DRFT	MWL	DATE 02/02/11	MFG	DATE
	ECO	CHKD	TS	DATE 02/02/11	APPL	DATE
DIVISION	DIVISION CODE	 <p>© 3M COPYRIGHT This document is the copyrighted property of the 3M Company and may not be reproduced without 3M written permission or used for other than 3M authorized purposes.</p>				
DO NOT SCALE DRAWING	SCALE	<p>TOLERANCES EXCEPT AS NOTED</p> <p>INCHES .0 ± .00 ± .000 ± .0000 ±</p> <p>MILLIMETERS 0 ± .0 ±.3 .00 ±.20 .000 ±</p> <p>INTERPRET PER ASME Y14.5 - 1994</p> <p>MAX SURFACE ROUGHNESS <input type="checkbox"/> ALL SURFACES <input checked="" type="checkbox"/> MARKED ONLY</p> <p>ANGLES ±</p>				
THIRD ANGLE PROJECTION		<p>TITLE 4P0X-2X02-XX, PC104, COMPLIANT, CONNECTORS</p>				
CAGE NUMBER		SIZE	DRAWING NO.		REV.	
78-5100-2392-8		C	78-5100-2392-8		A	
MODEL		DET. LISTS		YES NO SHT 2 OF 2		

X-ON Electronics

Largest Supplier of Electrical and Electronic Components

Click to view similar products for [PC/104 Connectors](#) category:

Click to view products by [3M](#) manufacturer:

Other Similar products are found below :

[ESQ-106-14-T-S](#) [ESQ-110-24-T-D](#) [4P02-2D02-DA](#) [10153301-32111LF](#) [10153301-20111LF](#) [10153301-20211LF](#) [10153301-32211LF](#)
[10153302-32111LF](#) [10153302-20111LF](#) [10153302-20211LF](#) [10153302-32211LF](#) [10153303-30111LF](#) [10153304-30211LF](#) [10153305-](#)
[30211LF](#) [M20-6113245](#) [RM322-0802012900](#) [ESQ-103-23-L-S](#) [ESQ-105-44-G-S](#) [ESQ-106-23-S-D](#) [ESQ-106-44-S-D](#) [ESQ-107-12-L-D](#)
[ESQ-107-14-L-D](#) [ESQ-107-23-L-D](#) [ESQ-109-12-G-S](#) [ESQ-110-12-G-D](#) [ESQ-113-12-G-D](#) [ESQ-114-14-L-S](#) [ESQ-116-12-S-D](#) [ESQ-116-34-](#)
[G-D](#) [ESQ-117-14-G-D](#) [ESQ-117-23-T-D](#) [ESQ-118-13-G-D](#) [ESQ-120-12-T-D](#) [ESQ-120-48-G-D](#) [ESQ-120-49-G-D](#) [ESQ-130-12-G-D](#) [ESQ-](#)
[132-12-G-D-LL](#) [ESQ-102-12-G-D](#) [ESQ-103-44-T-S](#) [ESQ-104-12-T-S](#) [ESQ-104-44-G-D](#) [ESQ-105-12-L-S](#) [ESQ-105-14-L-S](#) [ESQ-106-44-G-](#)
[S](#) [ESQ-107-14-G-D](#) [ESQ-108-14-L-S](#) [ESQ-108-44-S-S](#) [ESQ-110-14-G-D](#) [ESQ-110-23-L-S](#) [ESQ-111-12-G-D](#)