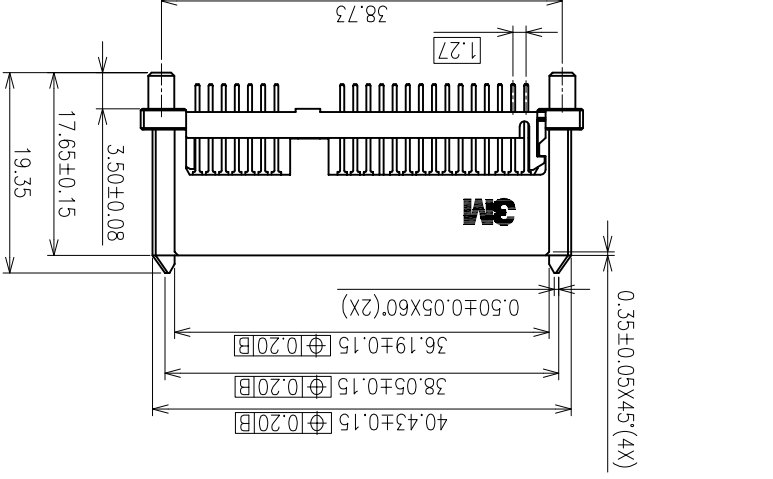
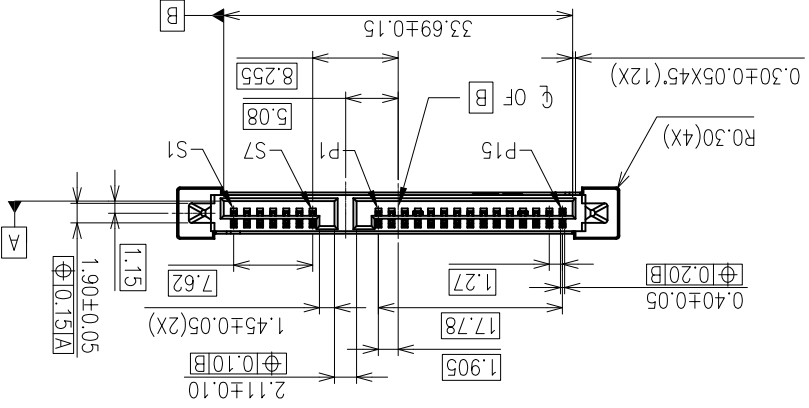


3M™ Serial Advanced Technology Attachment (SATA) 22P Connector  
Vertical, Elevated Pressfit and Through-Hole Receptacle, 5622 Series



Visit <http://www.3Mconnectors.com>

UNIT: MM	DFTG: OH KIM CHYE	DATE: 07/05/12
GEN. TOLERANCES	CHKD: QIAO YUN LONG	DATE: 07/05/12
LINEAR	APPLY: ALAN ANG	DATE: 07/05/12
ANGLE=±± ±.3°	THIS DOCUMENT CONTAINS INFORMATION WHICH IS PROPRIETARY TO 3M COMPANY. NO REPRODUCTION OR PUBLICATION OF THIS DOCUMENT, IN WHOLE OR IN PART, SHALL BE MADE WITHOUT AUTHORIZATION FROM 3M. © 3M 2012. ALL RIGHTS RESERVED.	
PROJECTION	INTERPRET PER ASME Y14.5M-1994	

SCALE: NTS	CRITICAL DIMENSION: ▼
SIZE: A3	DRAWING NO.: 78-5100-2202-9
TITLE: Serial Advanced Technology Attachment (SATA) 22P Connector Vertical, Elevated Pressfit and Through-hole Receptacle	REV: C

NOTES:

1. RoHS COMPLIANT. SEE REGULATORY INFORMATION APPENDIX IN "RoHS COMPLIANCE" SECTION AT [WWW.3M.COM/INTERCONNECT](http://www.3m.com/interconnect)

(E1 & C1 APPLY)

2. MEETS SATA SPECIFICATION

3. PHYSICAL:

HOUSING: HIGH TEMPERATURE THERMOPLASTIC, BLACK, UL94V-0  
 CONTACT: COPPER ALLOY

4. ELECTRICAL:

CURRENT RATING: POWER PIN: 1.5A  
 INSULATION RESISTANCE: 10<sup>12</sup> MΩ min.  
 WITHSTANDING VOLTAGE: 500V<sub>AC</sub> AT SEA LEVEL

5. ENVIRONMENTAL:

OPERATING TEMPERATURE RANGE: -40°C TO +85°C

6. UL FILE NO. E68080

7. ORDERING INFORMATION:

5622-XXXX-ML

TYPE: 2=VERTICAL RECEPTACLE

PLATING: ML: 30u" MIN. Au AT MATING AREA  
 : 50u" MIN. Ni UNDERPLATE  
 : 100u" MIN. Sn AT TERMINATION AREA

TERM TYPE: 1=PLATED THROUGH-HOLE

6=PRESSFIT

BODY SHAPE:

3=VERTICAL W/EXTENDED BODY 2.85MM

0=MOUNTING FLANGE W/PCB RETENTION CLIP

REVISION RECORD		
REV.	ECR/ECN/ECO NUMBER	DATE
C	ECO-0040594	07/05/12

STATUS	RELEASED
DIVISION	ESD
MODEL	
APAC INNOVATION CENTRE	

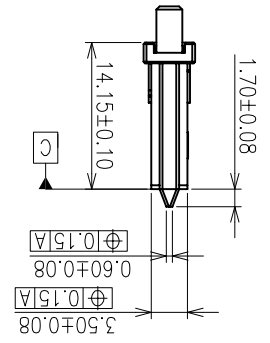
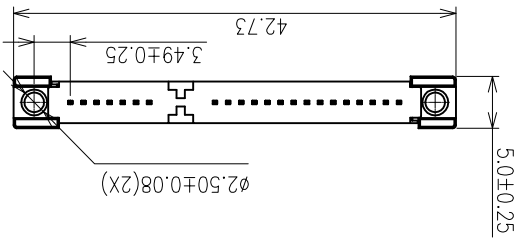
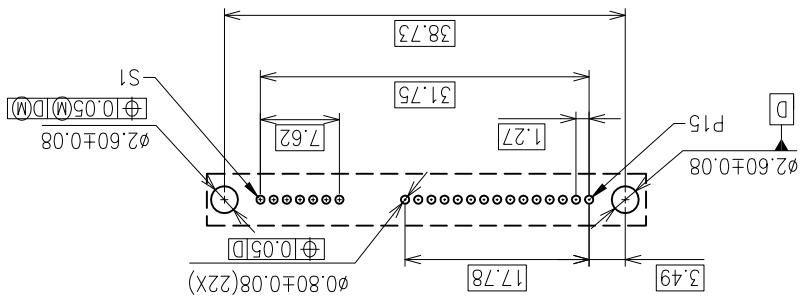
DATE	07/05/12
DATE	07/05/12
DATE	07/05/12
TITLE	Serial Advanced Technology Attachment (SATA) 22P Connector Vertical, Elevated Pressfit and Through-hole Receptacle
SIZE	A3
DRAWING NO.	78-5100-2202-9
REV	C
DET LIST	<input type="checkbox"/> YES <input type="checkbox"/> NO
SHT	1 of 4

Visit <http://www.3Mconnectors.com>

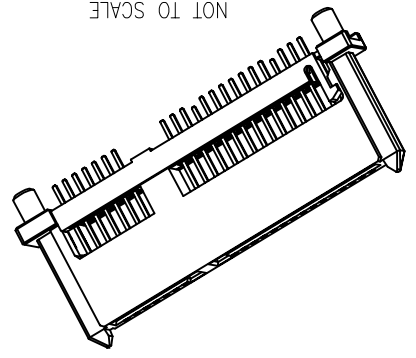
UNIT: MM	DFTG: OH KIM CHYE	DATE: 07/05/12
GEN. TOLERANCES	CHKD: QIAO YUN LONG	DATE: 07/05/12
LINEAR	APPLY: ALAN ANG	DATE: 07/05/12
ANGLE=±± ±.3°	THIS DOCUMENT CONTAINS INFORMATION WHICH IS PROPRIETARY TO 3M COMPANY. NO REPRODUCTION OR PUBLICATION OF THIS DOCUMENT, IN WHOLE OR IN PART, SHALL BE MADE WITHOUT AUTHORIZATION FROM 3M. © 3M 2012. ALL RIGHTS RESERVED.	
PROJECTION	INTERPRET PER ASME Y14.5M-1994	
CRITICAL DIMENSION: ▼		

SCALE: NTS	DET LIST	YES <input type="checkbox"/>	NO <input type="checkbox"/>	SHT 2 of 4
TITLE	Serial Advanced Technology Attachment (SATA) 22P Connector Vertical, Elevated Pressfit and Through-hole Receptacle			
DATE	DATE	DATE	MODEL	STATUS
07/05/12	07/05/12	07/05/12	ESD	RELEASED
3M INNOVATION PAC CENTRE		MODEL	---	---
SIZE	DRAWING NO. 78-5100-2202-9			
A3	REV C			

RECOMMENDED PCB LAYOUT  
PCB THICKNESS 1.50 TO 2.00



NOT TO SCALE  
VERTICAL THROUGH-HOLE ELEVATED



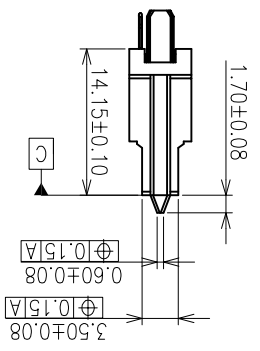
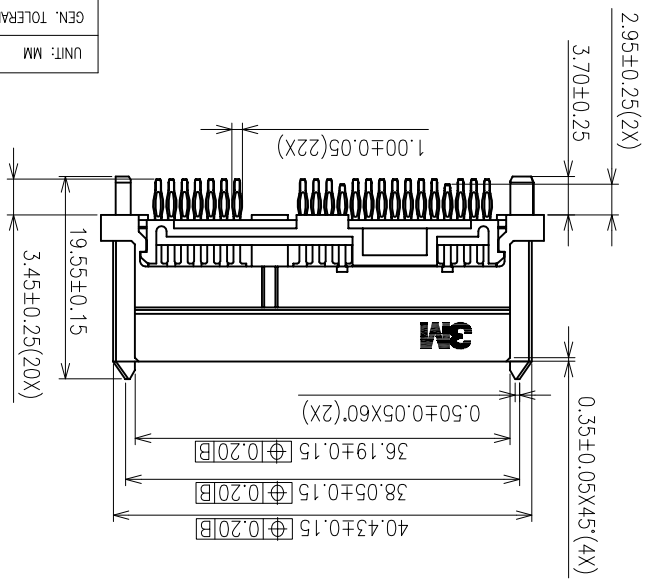
3M Serial Advanced Technology Attachment (SATA) 22P Connector Vertical, Elevated Pressfit and Through-Hole Receptacle, 5622 Series

REVISION RECORD		
REV.	ECR/ECN/ECO NUMBER	DATE
---	---	---
REFER TO SHT 1 of 2		

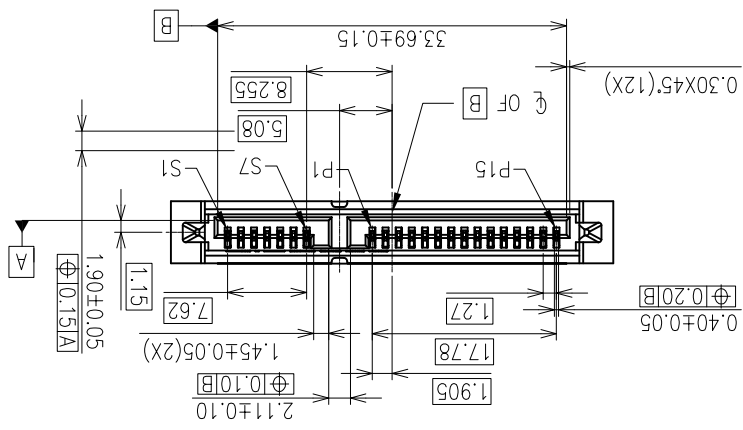
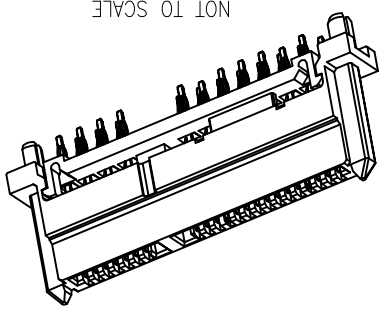
Visit <http://www.3Mconnectors.com>

UNIT: MM		DFTG	OH KIM CHYE	DATE	07/05/12
GEN. TOLERANCES		CHKD	QIAO YUN LONG	DATE	07/05/12
LINEAR		APPLY	ALAN ANG	DATE	07/05/12
ANGLE=±± ±.3°		THIS DOCUMENT CONTAINS INFORMATION WHICH IS PROPRIETARY TO 3M COMPANY. NO REPRODUCTION OR PUBLICATION OF THIS DOCUMENT, IN WHOLE OR IN PART, SHALL BE MADE WITHOUT AUTHORIZATION FROM 3M. © 3M 2012. ALL RIGHTS RESERVED.			
PROJECTION		INTERPRET PER ASME Y14.5M-1994			
CRITICAL DIMENSION: ▼		SCALE: NTS			
REV C		DRAWING NO. 78-5100-2202-9		SIZE A3	
SHT 3 of 4		DET LIST <input type="checkbox"/> YES <input type="checkbox"/> NO		8	

STATUS		DIVISION		MODEL	
RELEASED		ESD		—	
3M		APAC INNOVATION CENTRE		TITLE	
Serial Advanced Technology Attachment (SATA) 22P Connector		Vertical, Elevated Pressfit and Through-hole Receptacle		APPLY	



NOT TO SCALE  
VERTICAL PRESSFIT ELEVATED



3M Serial Advanced Technology Attachment (SATA) 22P Connector  
Vertical, Elevated Pressfit and Through-Hole Receptacle, 5622 Series

REVISION RECORD		REFER TO SHT 1 of 2	
REV.	ECR/ECN/ECO NUMBER	DATE	

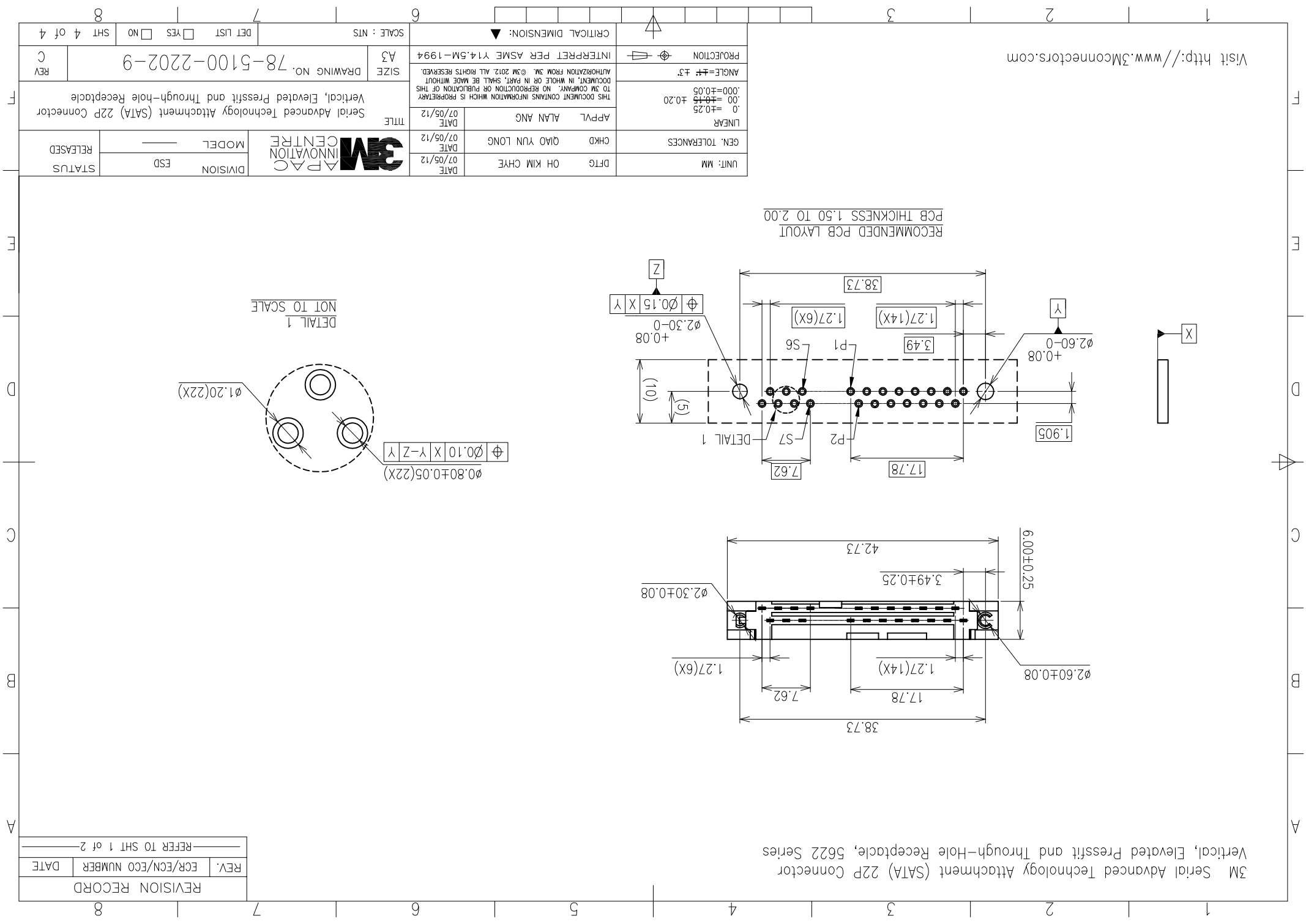
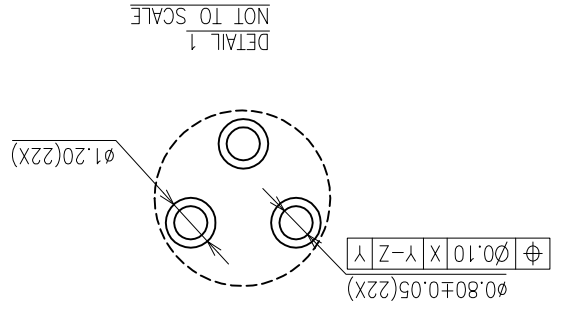
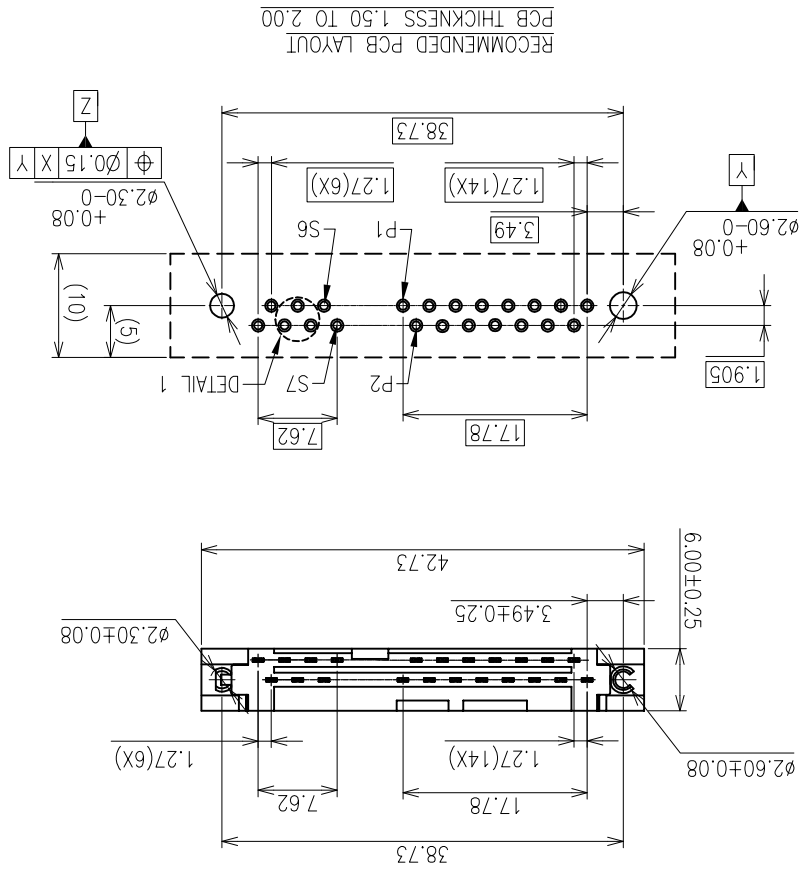
Visit <http://www.3Mconnectors.com>

UNIT: MM	DFTG: OH KIM CHYE	DATE: 07/05/12
GEN. TOLERANCES	CHKD: QIAO YUN LONG	DATE: 07/05/12
LINEAR	APPLY: ALAN ANG	DATE: 07/05/12
ANGLE=±± ±.3°	THIS DOCUMENT CONTAINS INFORMATION WHICH IS PROPRIETARY TO 3M COMPANY. NO REPRODUCTION OR PUBLICATION OF THIS DOCUMENT, IN WHOLE OR IN PART, SHALL BE MADE WITHOUT AUTHORIZATION FROM 3M. © 3M 2012. ALL RIGHTS RESERVED.	
PROJECTION	INTERPRET PER ASME Y14.5M-1994	
CRITICAL DIMENSION: ▼		

SCALE: NTS	DET LIST	<input type="checkbox"/> YES	<input type="checkbox"/> NO	SHT 4 of 4
SIZE: A3	DRAWING NO. 78-5100-2202-9			
REV: C	Serial Advanced Technology Attachment (SATA) 22P Connector Vertical, Elevated Pressfit and Through-hole Receptacle			
TITLE	MODEL	ESD	STATUS	RELEASED

3M Serial Advanced Technology Attachment (SATA) 22P Connector Vertical, Elevated Pressfit and Through-Hole Receptacle, 5622 Series

REVISION RECORD		
REV.	ECR/ECN/ECO NUMBER	DATE
REFER TO SHT 1 of 2		



## X-ON Electronics

Largest Supplier of Electrical and Electronic Components

*Click to view similar products for [I/O Connectors](#) category:*

*Click to view products by [3M](#) manufacturer:*

Other Similar products are found below :

[571763P](#) [58098-0628](#) [61-168618-12P](#) [D38999/20FJ29SB L/C](#) [72.250.1628.2](#) [72.250.2428.2](#) [74720-0505](#) [747680210](#) [76.350.0729.0](#) [76871-1403](#) [FCN-244F080-G/1](#) [FCN-260A9920](#) [FCN-268D024-G/2F#10X-R10](#) [MP-5T180MUNNA-005](#) [MP-5XRJ45UNNB-003](#) [PCS-E50FA](#) [PCS-XE26LKA](#) [PCS-XE26MA+](#) [PCS-XES68MS+](#) [G38A71314B](#) [91-569719-35R](#) [9776-18-6](#) [DX40-50P\(55\)](#) [1571250010](#) [157-22500-3](#) [MS3471L14-19P L/C](#) [171224-6031](#) [1888020-8](#) [91-569786-35H](#) [91-569786-35M](#) [91-644626-35P](#) [172501-4002](#) [172501-6002](#) [FCN-260C008-A/L0](#) [FCN-260C024-AL0](#) [FCN-268D008-G/1K](#) [2000314-1](#) [200331-1](#) [2007498-2](#) [PCR-E28LMDAG1+](#) [PCR-E36FC+](#) [PCS-E28FS+](#) [PCS-XE26SLFD+](#) [PCS-XE26SLFDT+](#) [G38A71214B](#) [HDRA-E68W1LFDTC-SL+](#) [HDR-E14MSG1+](#) [R88A-CNK81S](#) [CRT1-ATT02](#) [54182-0605](#)