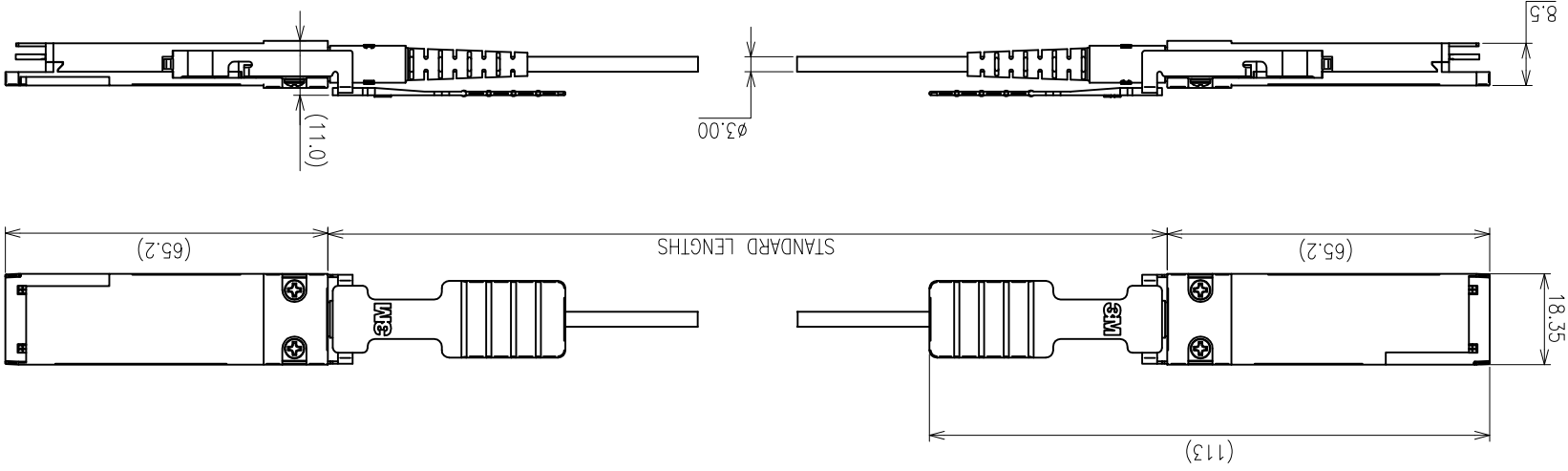


3M™ Active Optical Cable (AOC) Assemblies for QSFP+ Applications
 Visit <http://www.3Mconnectors.com>

REVISION RECORD		
REV.	ECR/ECN/ECO NUMBER	DATE
c	ECR/ECO-0048886	18/07/13
d	ECR/ECO-0052457	28/01/14



3M PART NUMBERS

6A22-X04X1-XXX-0-0
 STANDARD LENGTHS: 1 m INCREMENTS FROM 2m TO 30m,
 35m, 40m, 45m, 50m, 60m, 70m, 80m, 90m, 100m

CABLE TYPE: 2 - ORANGE OM2+, PLENUM RATED THERMOPLASTIC
 4 - ORANGE OM2+, LOW SMOKE ZERO HALOGEN RATED
 THERMOPLASTIC (LSZH)

DATA RATE: A - QDR INFINIBAND / D - FDR INFINIBAND

PART NUMBER DESCRIPTION

Example: 6A22-A0421-002.0-0 AOC, QSFP-QSFP, QDR INFINIBAND, 4CH, PLENUM, OM2+, 2m
 6A22-D0441-003.0-0 AOC, QSFP-QSFP, FDR INFINIBAND, 4CH, LSZH, OM2+, 3m

NOTES:

1. SHELL MATERIAL: ZINC ALLOY
 FINISHING: NICKEL PLATING
2. UNLESS OTHERWISE NOTED, REFERENCES TO INDUSTRY SPECIFICATIONS
 ARE INTENDED TO INDICATE SUBSTANTIAL COMPLIANCE TO THE MATERIAL
 ELEMENTS OF THE SPECIFICATION. SUCH REFERENCES SHOULD NOT BE
 CONSTRUED AS A GUARANTEE OF COMPLIANCE TO ALL REQUIREMENTS
 IN A GIVEN SPECIFICATION.
3. CABLE LENGTH TOLERANCE:

CABLE LENGTH	TOLERANCE
<10m	+40cm/-20cm
10m to 50m	+40cm/-30cm
>50m	+40cm/-50cm

UNIT: MM	DFTG	YUNLONG QIAO	DATE	18/07/13
GEN. TOLERANCES	CHKD	YUNLONG QIAO	DATE	18/07/13
LINEAR	APPLY	SAJIT BANDHU	DATE	18/07/13
ANGLE ±1°	THIS DOCUMENT CONTAINS INFORMATION WHICH IS PROPRIETARY TO 3M COMPANY. NO REPRODUCTION OR PUBLICATION OF THIS DOCUMENT, IN WHOLE OR IN PART, SHALL BE MADE WITHOUT AUTHORIZATION FROM 3M. © 3M 2014. ALL RIGHTS RESERVED.			
PROJECTION	INTERPRET PER ASME Y14.5M-1994			
CRITICAL DIMENSION: ▼				
SCALE: NTS				
REV	D	DRAWING NO.	78-5100-2442-1	
STATUS		DIVISION	ESD	
RELEASED		MODEL	—	
TITLE		AOC, QSFP-QSFP, QDR/FDR, 4CH OPTICAL CABLE		
SIZE		A3		
SHT		1 of 1		



E

D

C

B

A

F

E

D

C

B

A

8

7

6

5

4

3

2

1

8

7

6

5

4

3

2

1

X-ON Electronics

Largest Supplier of Electrical and Electronic Components

Click to view similar products for [3m manufacturer](#):

Other Similar products are found below :

[SC401U](#) [98-0003-3071-6](#) [80-0012-6467-2](#) [00-054007-70220-7](#) [00-054007-34717-0](#) [5952-3/4"x15yds](#) [021200-40230](#) [6840-2X50-GRAY](#)
[6A11-A0121-007.0-0](#) [701-W](#) [7993MP-2CIRCLE-100](#) [FDV14-187C](#) [FE-5100-5126-4](#) [FE-5100-5273-4](#) [FE-5100-5492-0](#) [8124/14](#) [812510-100](#)
[8125/17](#) [813216](#) [8204-3LFM](#) [8425-8](#) [MNG14BCX](#) [FP301-1-6"-Clear](#) [FV14-6C](#) [920102-01-25-R](#) [927739-40](#) [929835-01-28-RK](#)
[929974-01-40-R](#) [951240-2520-AR-PR](#) [960X/980X](#) [98-0003-3075-7](#) [HF365/16SF](#) [HF36564-100](#) [HF625/26-30](#) [1/2-5-4492W](#) [1/2-5-5430](#) [1/2-](#)
[5-850S](#) [1/2-5-3431](#) [12X12-6-4056B](#) [12X12-6-433](#) [12X12-6-4930](#) [1311](#) [13-500-NB](#) [14526-EZ5B-300-02C](#) [1-4-4658F](#) [14520-EZAB-300-](#)
[0EC](#) [DSTK9013-3420](#) [DSTK9015-3402](#) [14T26-SZLB-200-0LC](#) [14T50-SZWB-100-0NC](#)