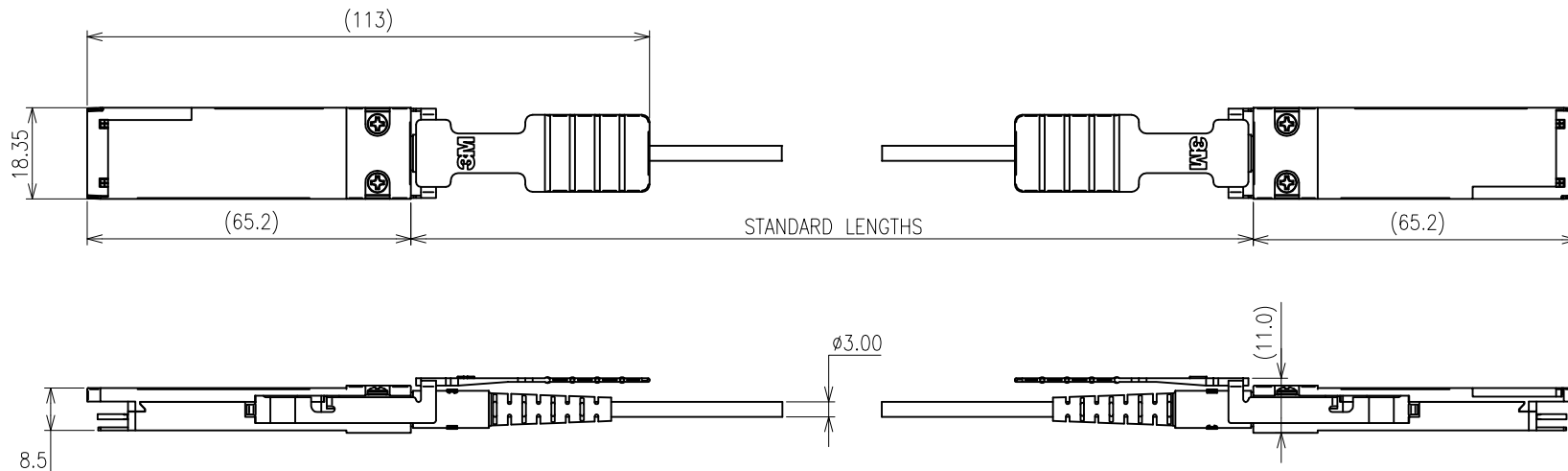


3M™ Active Optical Cable (AOC) Assemblies for QSFP+ Applications
 Visit <http://www.3Mconnectors.com>

REVISION RECORD		
REV.	ECR/ECN/ECO NUMBER	DATE
C	ECR/ECO-0048886	18/07/13
D	ECR/ECO-0052457	28/01/14



NOTES:

- SHELL MATERIAL: ZINC ALLOY
FINISHING: NICKEL PLATING
- UNLESS OTHERWISE NOTED, REFERENCES TO INDUSTRY SPECIFICATIONS ARE INTENDED TO INDICATE SUBSTANTIAL COMPLIANCE TO THE MATERIAL ELEMENTS OF THE SPECIFICATION. SUCH REFERENCES SHOULD NOT BE CONSTRUED AS A GUARANTEE OF COMPLIANCE TO ALL REQUIREMENTS IN A GIVEN SPECIFICATION.
- CABLE LENGTH TOLERANCE:

CABLE LENGTH	TOLERANCE
<10m	+40cm/-20cm
10m to 50m	+40cm/-30cm
>50m	+40cm/-50cm

3M PART NUMBERS

6A22-X04X1-XXX.0-0

- STANDARD LENGTHS; 1 m INCREMENTS FROM 2m TO 30m, 35m, 40m, 45m, 50m, 60m, 70m, 80m, 90m, 100m
- CABLE TYPE: 2 - ORANGE OM2+, PLENUM RATED THERMOPLASTIC
4 - ORANGE OM2+, LOW SMOKE ZERO HALOGEN RATED THERMOPLASTIC (LSZH)
- DATA RATE: A - QDR INFINIBAND / D - FDR INFINIBAND

PART NUMBER	DESCRIPTION
Example: 6A22-A0421-002.0-0	AOC, QSFP-QSFP, QDR INFINIBAND, 4CH, PLENUM, OM2+, 2m
6A22-D0441-003.0-0	AOC, QSFP-QSFP, FDR INFINIBAND, 4CH, LSZH, OM2+, 3m

UNIT: MM	DFTG YUNLONG QIAO	DATE 18/07/13	3M APAC INNOVATION CENTRE	DIVISION ESD	STATUS RELEASED
GEN. TOLERANCES	CHKD YUNLONG QIAO	DATE 18/07/13		MODEL	
LINEAR .0 = ± 0.20 .00 = ± 0.15 .000 = ± 0.05	APPVL SAUJIT BANDHU	DATE 18/07/13	TITLE AOC, QSFP-QSFP, QDR/FDR, 4CH OPTICAL CABLE		
ANGLE ±1°	THIS DOCUMENT CONTAINS INFORMATION WHICH IS PROPRIETARY TO 3M COMPANY. NO REPRODUCTION OR PUBLICATION OF THIS DOCUMENT, IN WHOLE OR IN PART, SHALL BE MADE WITHOUT AUTHORIZATION FROM 3M. ©3M 2014. ALL RIGHTS RESERVED.		SIZE A3	DRAWING NO. 78-5100-2442-1	REV D
PROJECTION	INTERPRET PER ASME Y14.5M-1994	CRITICAL DIMENSION: ▲		SCALE : NTS	DET LIST <input type="checkbox"/> YES <input type="checkbox"/> NO
				SHT 1 of 1	

X-ON Electronics

Largest Supplier of Electrical and Electronic Components

Click to view similar products for [Fiber Optic Cable Assemblies](#) category:

Click to view products by [3M](#) manufacturer:

Other Similar products are found below :

[7-21002-9](#) [760-1518](#) [FA04390-50-M-72-LC-N](#) [MLB 501 V RED](#) [MLB 501 V YELLOW](#) [8-21000-7](#) [8-21084-1](#) [FXE3-10BM15](#) [FXE3-10FM5](#) [FZB3-NM1](#) [1-3636-600-5208](#) [1-5018030-0](#) [ICD040GVP163D-07](#) [2901797](#) [1-6693182-0](#) [1754898-1](#) [F512D5-5F23Y](#) [F912B10-NM2](#) [FAP12WFDBDBDLCZ](#) [21055-6](#) [FXBSCSCE2LM002](#) [FXE3-10AM10](#) [FXE3-10AM20](#) [FXE3-10BM7](#) [FXE3-10FM15](#) [FXE3-10FM3](#) [FXE3-10FM4](#) [FXE3-10FM7](#) [FXE3-10GM3](#) [FZE10-10M6](#) [FZOPE10-10M5](#) [3000005](#) [3-21053-2](#) [MLB 200/1 V BLACK](#) [MLB 2001 V YELLOW](#) [MLB 501 V BLACK](#) [5492011-6](#) [106284-7000](#) [5492011-5](#) [5492011-8](#) [5492011-9](#) [CF-901201-007](#) [7-21000-4](#) [8-21007-5](#) [8-21084-0](#) [3-5106081-0](#) [106386-4447](#) [2-2064140-6](#) [F92ELLNSNSNM003](#) [2-2064140-3](#)