

3M™ Active Optical Cable (AOC) Assemblies for CX4 Applications
 Visit <http://www.3Mconnectors.com>

REVISION RECORD		
REV.	ECR/ECN/ECO NUMBER	DATE
A	ECO-0038639	01/02/12
B	ECR/ECO-0043565	28/09/12

NOTES:

- RoHS COMPLIANT. SEE REGULATORY INFORMATION APPENDIX IN "RoHS COMPLIANCE" SECTION AT WWW.3M.COM/INTERCONNECT (E1 & C1 APPLY)
- HOUSING MATERIAL: ZINC ALLOY;
 FINISH: NICKEL PLATING
 CABLE: ORANGE OM2+, PLENUM RATED THERMOPLASTIC, OR
 ORANGE OM2+, LOW SMOKE ZERO HALOGEN RATED THERMOPLASTIC (LSZH)

3. ORDERING INFORMATION:

6A44-B04X1-XXX.0-0

STANDARD LENGTHS:

1m INCREMENTS FROM 2m TO 30m,
 35m,40m,45m,50m,60m,70m,80m,
 90m,100m

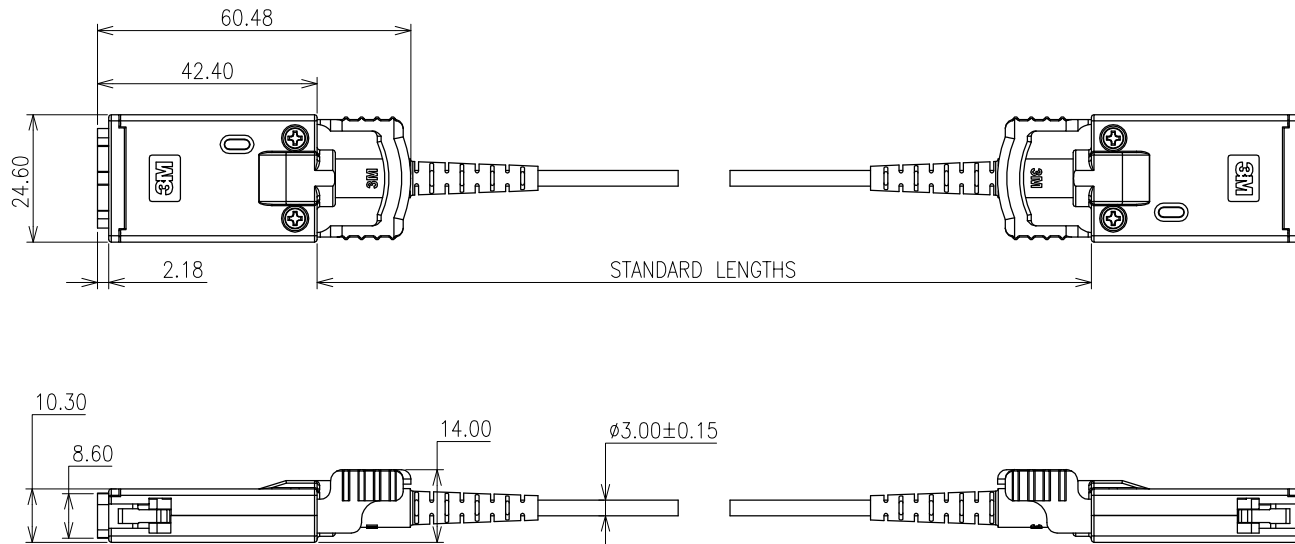
CABLE TYPE:

- PLENUM
- LOW SMOKE ZERO HALOGEN (LSZH)

example: PART NUMBER & DESCRIPTION

6A44-B0421-003.0-0

(AOC,CX4-CX4,DDR,4CH,PLENUM,OM2+,3m)



CABLE LENGTH	TOLERANCE
<10m	+40cm/-20cm
10m to 50m	+40cm/-30cm
>50m	+40cm/-50cm

UNIT: MM	DFTG OH KIM CHYE	DATE 28/09/12
GEN. TOLERANCES	CHKD SAJJIT BANDHU	DATE 28/09/12
LINEAR .0 = ± 0.20 .00 = ± 0.10 .000 = ± 0.05	APPVL ALAN ANG	DATE 28/09/12
ANGLE ±0.5°	THIS DOCUMENT CONTAINS INFORMATION WHICH IS PROPRIETARY TO 3M COMPANY. NO REPRODUCTION OR PUBLICATION OF THIS DOCUMENT, IN WHOLE OR IN PART, SHALL BE MADE WITHOUT AUTHORIZATION FROM 3M. ©3M 2012. ALL RIGHTS RESERVED.	
PROJECTION	INTERPRET PER ASME Y14.5M-1994	
	CRITICAL DIMENSION:	

3M APAC INNOVATION CENTRE	DIVISION ESD	STATUS RELEASED
	MODEL	
TITLE AOC, CX4-CX4, DDR, 4CH, OPTICAL CABLE		
SIZE A3	DRAWING NO. 78-5100-2496-7	REV B
SCALE : 1:1		DET LIST <input type="checkbox"/> YES <input type="checkbox"/> NO
SHT 1 of 1		

X-ON Electronics

Largest Supplier of Electrical and Electronic Components

Click to view similar products for [Fibre Optic Cable Assemblies](#) category:

Click to view products by [3M](#) manufacturer:

Other Similar products are found below :

[7-21002-9](#) [760-1518](#) [FA04390-50-M-72-LC-N](#) [MLB 501 V RED](#) [MLB 501 V YELLOW](#) [1-3636-600-5208](#) [2061529-7](#) [1-6693182-0](#)
[1754898-1](#) [21055-6](#) [FXBSCSCE2LM002](#) [3-21053-2](#) [MLB 200/1 V BLACK](#) [MLB 2001 V RED](#) [MLB 2001 V YELLOW](#) [MLB 501 V](#)
[BLACK](#) [5492011-6](#) [106284-7000](#) [5492011-5](#) [5492011-8](#) [5492011-9](#) [8-21007-5](#) [2123524-2](#) [2123524-1](#) [106386-4447](#) [DFSM-SCSC-2M](#)
[2123909-4](#) [2123909-8](#) [106273-0629](#) [2125046-1](#) [2821236-3](#) [2821310-2](#) [2821310-3](#) [2821313-4](#) [FX2ERLNLNSNM0.5](#) [CF-980062-074](#) [CF-](#)
[901200-394](#) [CF-980062-073](#) [CF-980062-071](#) [CF-980062-075](#) [CF-980062-072](#) [17-300310-100](#) [2821236-2](#) [2821313-1](#) [956-322-502214](#)
[FA04474](#) [1111540](#) [1111843](#) [1115533](#) [1115534](#)