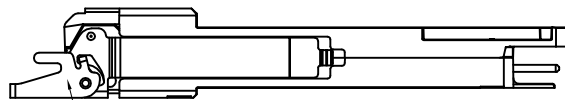
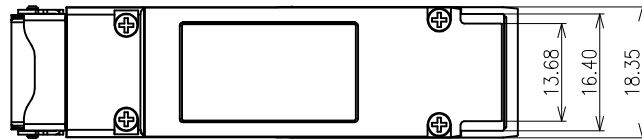
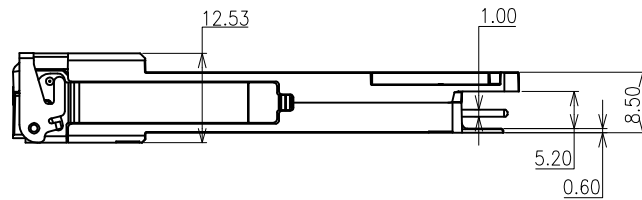
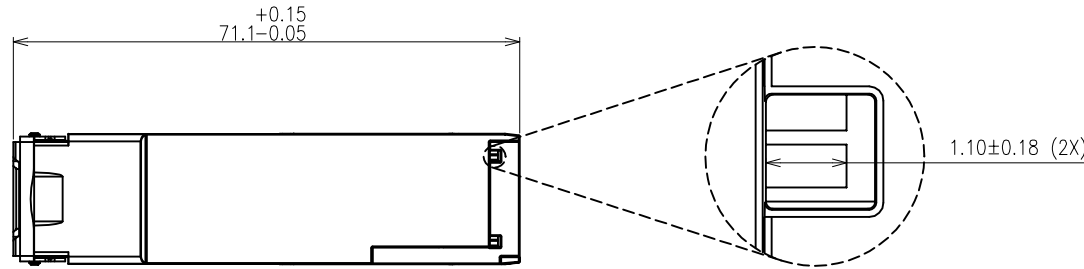


3M™ Active Optical Pluggable Transceiver For QSFP+ Applications
 Visit <http://www.3Mconnectors.com>

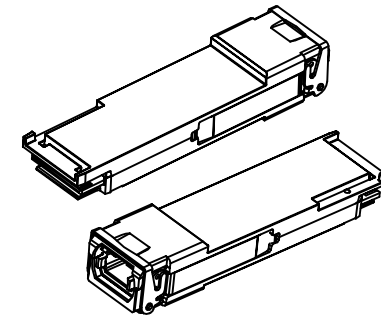
NOTES:

1. RoHS COMPLIANT. SEE REGULATORY INFORMATION APPENDIX IN "RoHS COMPLIANCE" SECTION AT www.3Mconnectors.com (E1 & C1 APPLY)
2. MEET SPECIFICATION SFF-8436
 UNLESS OTHERWISE NOTED, REFERENCES TO INDUSTRY SPECIFICATIONS ARE INTENDED TO INDICATE SUBSTANTIAL COMPLIANCE TO THE MATERIAL ELEMENTS OF THE SPECIFICATION. SUCH REFERENCES SHOULD NOT BE CONSTRUED AS A GUARANTEE OF COMPLIANCE TO ALL REQUIREMENTS IN A GIVEN SPECIFICATION."
3. MATERIAL:
 HOUSEING: ZINC ALLOY
 FINISHING: NICKEL PLATING
4. ORDERING INFORMATION:

6B=Pluggable Transceiver
 2=QSFP+
 A=10G
 04=4 channels
 1=850nm optical wavelength
 2=Multi Mode
 A=MPO Optical Interface
 0=Placeholder



FREE ROTATION 90° AFTER ASSEMBLY



DESIGN REFERENCE		NEXT ASSEMBLY		A 0045111	MAY 17, 2013		OKC	YL
DISTRIBUTION CODES		DRFT		ECO	ISSUE DATE AND DESCRIPTION	DRFT	CHKD	
DIVISION		DIVISION CODE		OH KIM CHYE	DATE MAY 17, 2013	MFG	DATE	
ESD		DO NOT SCALE DRAWING		QIAO YUN LONG	DATE MAY 17, 2013	APPL SAUJIT BANDHU	DATE MAY 17, 2013	
SCALE 2/1		TOLERANCES EXCEPT AS NOTED		© 3M COPYRIGHT 2013				
THIRD ANGLE PROJECTION		INCHES		3M Center St. Paul, MN 55144				
INTERPRET PER ASME Y14.5 - 1994		MILLIMETERS		This document and the information it contains are 3M property and may not be reproduced or further distributed without 3M permission, or used or disclosed other than for 3M authorized purposes. All rights reserved.				
MAX SURFACE ROUGHNESS 125		ANGLES ±1°		TITLE				
ALL SURFACES MARKED ONLY				QSFP+ OPTICAL 4x10Gbps PLUGGABLE TRANSCEIVER				
				CAGE NUMBER	SIZE	DRAWING NO.	REV.	
				C		78-5100-2570-9	A	
				MODEL	DETLISTS	YES	NO	SHT 1 OF 1

78-5100-2570-9 REVISION

X-ON Electronics

Largest Supplier of Electrical and Electronic Components

Click to view similar products for [Fiber Optic Transmitters, Receivers, Transceivers](#) category:

Click to view products by [3M](#) manufacturer:

Other Similar products are found below :

[FWLF-1521-7D-47](#) [FWLF-1521-7D-61](#) [HFBR-1532ETZ](#) [HFBR-2602Z](#) [AFBR-0548Z](#) [AFBR-1639Z](#) [AFBR-1539Z](#) [AFBR-2634Z](#) [AFCT-5962ATLZ](#) [FTLX3813M354](#) [HFBR-2531ETZ](#) [STV.2413-574-00262](#) [TRPRG1VA1C000E2G](#) [TORX1952\(6M,F\)](#) [TOTX1350\(F\)](#) [TOTX1350\(V,F\)](#) [FTLX3813M349](#) [HFBR-2542ETZ](#) [SCN-1428SC](#) [AFBR-1634Z](#) [HFBR-2506AFZ](#) [FTLX1871M3BNL](#) [FWLF-1521-7D-49](#) [HFBR-1542ETZ](#) [FWLF-1519-7D-49](#) [HFBR-2532ETZ](#) [AFBR-1541CZ](#) [TORX1355\(V,F\)](#) [AFBR-1521CZ](#) [LTK-ST11MB](#) [TORX1355\(F\)](#) [HFD8003-002/XBA](#) [HFD3020-500-ABA](#) [FTLF1429P3BCVA](#) [S6846](#) [SCN-2638SC](#) [FTL410QE4N](#) [SCN-1570SC](#) [SCN-1601SC](#) [SCN-1338SC](#) [HFBR-1505CFZ](#) [AFBR-1528CZ](#) [AFBR-1531CZ](#) [HFD3081-108-XBA](#) [HFD8003-500-XBA](#) [SCN-1255SC](#) [SCN-1383SC](#) [FTLC9555SEPM](#) [1019682](#) [1019683](#)