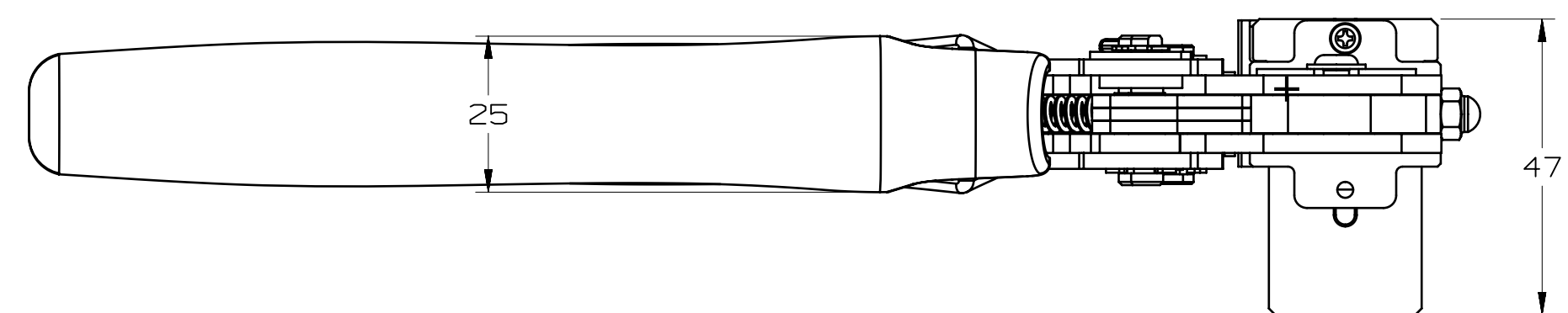
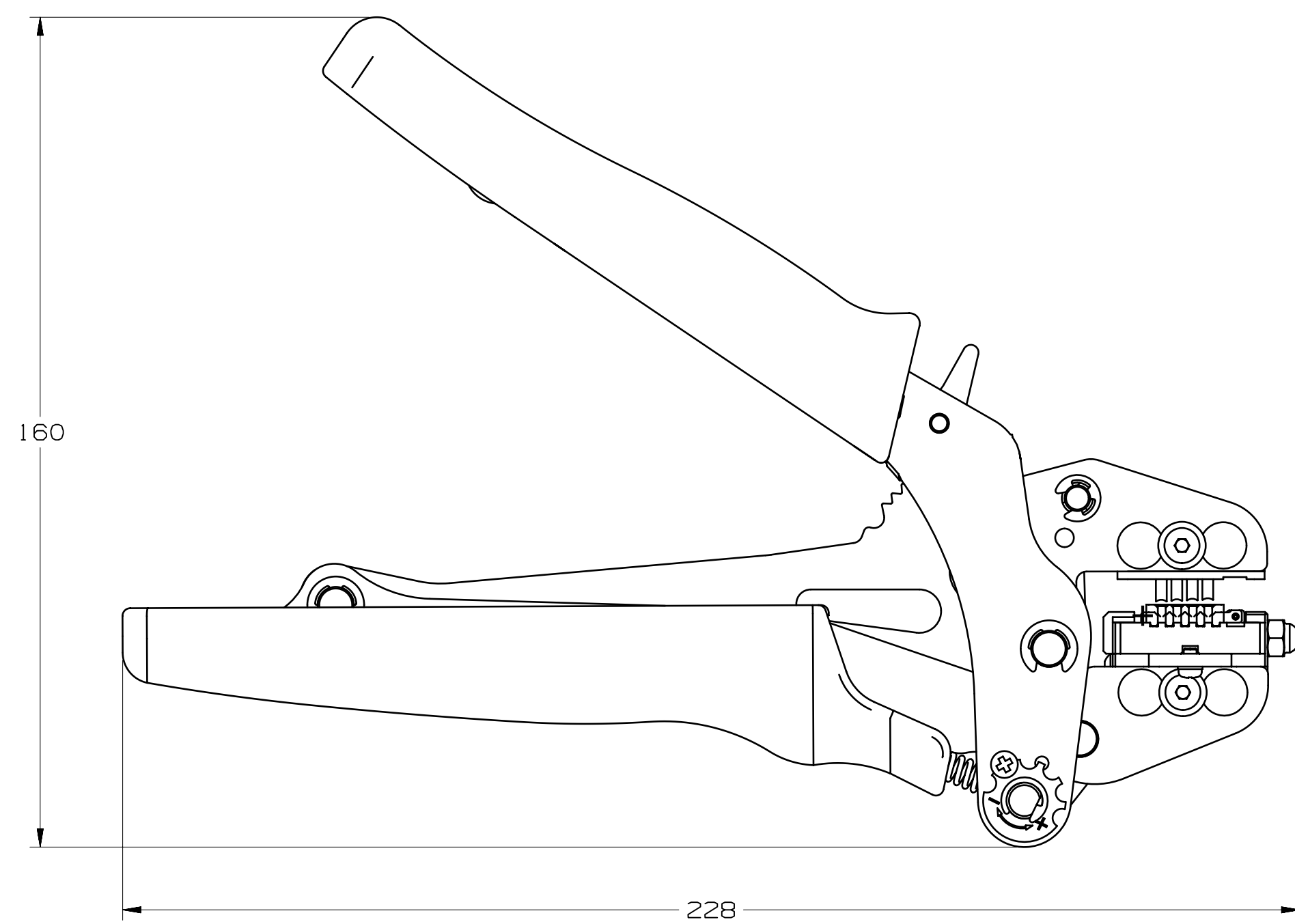
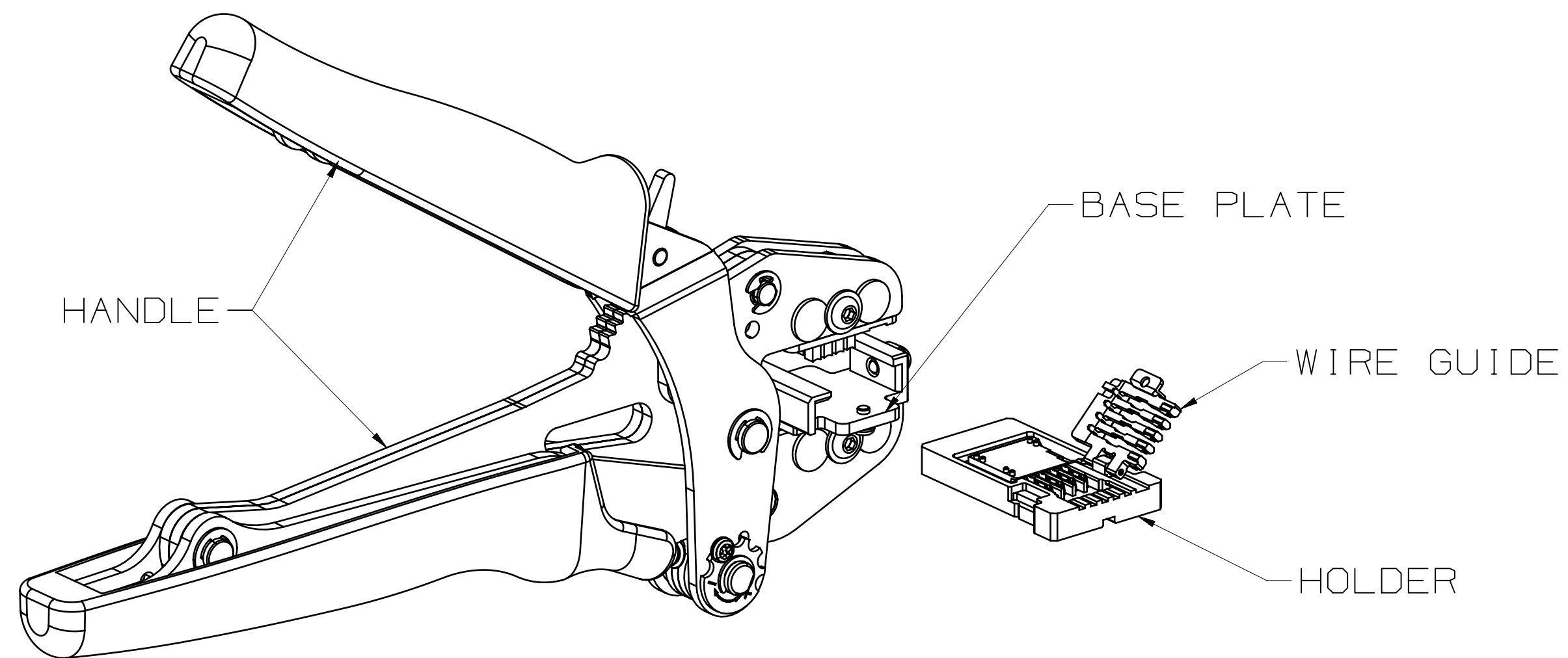


3M™ MINI STACK CONNECTOR, HAND TOOL

- NOTES
- SEE TECH SHEET TS-2725 FOR APPLICABLE CONNECTORS.
 - REFERENCE PRODUCT SPECIFICATION PS-0365



ORDER INFORMATION	
3M PART NUMBER	WIRE OD ACCOMMODATION mm (mil)
35900-13	0.6 to 1.0 (24 to 39)
35900-16	over 1.0 to 1.5 (39 to 59)

3M ELECTRONICS MATERIALS SOLUTIONS DIVISION
 INTERCONNECT SOLUTIONS
<http://www.3M.com/interconnect>

3M IS A TRADEMARK OF 3M COMPANY.
 FOR TECHNICAL, SALES OR ORDERING
 INFORMATION CALL 800-225-5373

DESIGN REFERENCE	NEXT ASSEMBLY	REV	ECO	ISSUE DATE AND DESCRIPTION	DRFT	CHKD
				FEB 05, 2021 INITIAL RELEASE	LDS	FJR
APPROVED	DATE	DATE	DATE	DATE	DATE	DATE
L. SCHMIDT	FEB 03, 2021	MFG				
		F. RODRIGUEZ		FEB 05, 2021		
DIVISION		DIVISION CODE		© 3M COPYRIGHT 2021 This document and the information it contains are 3M property and may not be reproduced or further distributed without 3M permission, or used or disclosed other than for 3M authorized purposes. All rights reserved.		
DO NOT SCALE DRAWING	SCALE 1/1	TOLERANCES EXCEPT AS NOTED		3M Center St. Paul, MN 55144		
THIRD ANGLE PROJECTION		INCHES		TITLE 3M MINI STACK CONNECTOR HAND TOOL 35900-1X		
INTERPRET PER ASME Y14.5 - 2018		MILLIMETERS		CAGE NUMBER D 78-5100-2728-3		
MAX SURFACE ROUGHNESS		ANGLES ±1°		DRAWING NO. 78-5100-2728-3		
125	<input type="checkbox"/> ALL SURFACES			REV. A		
	<input checked="" type="checkbox"/> MARKED ONLY			MODEL SHT 1 OF 2		

78-5100-2728-3
 DRAWING NUMBER
 Time 2/5/2021 11:53:00 AM
 UTC Offset (hrs) 6

3M™ MINI STACK CONNECTOR, HAND TOOL

Regulatory: For regulatory information about this product, visit 3M.com/regs or contact your 3M representative.


Technical Information: The technical information, recommendations and other statements contained in this document are based upon tests or experience that 3M believes are reliable, but the accuracy or completeness of such information is not guaranteed.

Product Use: Many factors beyond 3M's control and uniquely within user's control can affect the use and performance of a 3M product in a particular application. Given the variety of factors that can affect the use and performance of a 3M product, user is solely responsible for evaluating the 3M product and determining whether it is fit for a particular purpose and suitable for user's method of application.

Warranty, Limited Remedy, and Disclaimer: Unless an additional warranty is specifically stated on the applicable 3M product packaging or product literature, 3M warrants that each 3M product meets the applicable 3M product specification at the time 3M ships the product. 3M MAKES NO OTHER WARRANTIES OR CONDITIONS, EXPRESS OR IMPLIED, INCLUDING, BUT NOT LIMITED TO, ANY IMPLIED WARRANTY OR CONDITION OF MERCHANTABILITY OR FITNESS FOR A PARTICULAR PURPOSE OR ANY IMPLIED WARRANTY OR CONDITION ARISING OUT OF A COURSE OF DEALING, CUSTOM OR USAGE OR TRADE. If the 3M product does not conform to this warranty, then the sole and exclusive remedy is, at 3M's option, replacement of the 3M product or refund of the purchase price.

Limitation of Liability: Except where prohibited by law, 3M will not be liable for any loss or damage arising from the 3M product, whether direct, indirect, special, incidental or consequential, regardless of the legal theory asserted, including warranty, contract, negligence or strict liability.

3M Company
 Electronics Materials Solutions Division
 13011 McCullen Pass, Bldg. C
 Austin, TX 78753-5380
 1-800-225-5373
www.3M.com/interconnect

DESIGN REFERENCE		NEXT ASSEMBLY		REV	ECO	ISSUE DATE AND DESCRIPTION		DRFT	CHKD
				A		95460	FEB 05, 2021	LDS	FJR
				L SCHMIDT		FEB 03, 2021	MFG		
				F RODRIGUEZ		FEB 05, 2021	DATE		
DIVISION		DIVISION CODE		 © 3M COPYR [GHT] 2021 This document and the information it contains are 3M property and may not be reproduced or further distributed without 3M permission, or used or disclosed other than for 3M authorized purposes. All rights reserved.					
DO NOT SCALE DRAWING	SCALE 1/1	TOLERANCES EXCEPT AS NOTED		INCHES .00 ± .000 ± .0000 ±					
THIRD ANGLE PROJECTION		MILLIMETERS		0 ±.2 .0 ±.5 .00 ±.13 .000 ±.005					
INTERPRET PER ASME Y14.5 - 2018		MAX SURFACE ROUGHNESS		CAGE NUMBER		SIZE	DRAWING NO.	REV.	
<input type="checkbox"/> ALL SURFACES <input checked="" type="checkbox"/> MARKED ONLY		ANGLS ±1°		D 78-5100-2728-3		A	78-5100-2728-3	A	
				MODEL		DET		SHT 2 OF 2	

78-5100-2728-3
 DRAWING NUMBER
 18:51:00
 TIME 2/5/2021 10:51:00
 UTC OFFSET (hrs) 6

X-ON Electronics

Largest Supplier of Electrical and Electronic Components

Click to view similar products for [I/O Connectors](#) category:

Click to view products by [3M](#) manufacturer:

Other Similar products are found below :

[571763P](#) [61-168618-12P](#) [72.250.1628.2](#) [72.250.2428.2](#) [74720-0505](#) [76.350.0729.0](#) [76871-1403](#) [MP-5T180MUNNA-005](#) [PCR-E36PM](#) [PCS-XES68MS+](#) [G38A71314B](#) [9776-18-6](#) [1571250010](#) [157-22500-3](#) [MS3471L14-19P L/C](#) [192991-0703](#) [91-644626-35P](#) [SM3100F14S-58S](#)
[172501-6002](#) [FCN-260C008-A/L0](#) [FCN-260C024-AL0](#) [FCN-261Z008](#) [2000314-1](#) [200331-1](#) [PCR-E36FC+](#) [PCS-E28FS+](#) [PCS-XE26SLFD+](#)
[PCS-XE26SLFDT+](#) [G730VID08BDC24](#) [HDMR-29-01-S-SM-TR](#) [HDRA-E68W1LFDTC-SL+](#) [HDR-E14MSG1+](#) [54182-0605](#) [38113800006](#)
[DP3AR020WQ1R200](#) [Z4.102.0680.0](#) [500-1040](#) [500-1052](#) [500-1054](#) [ZP-4008-66L](#) [10-584459-12P](#) [SM3106F14S-7S-LC](#) [SM3106R18-18S](#)
[U90B3054061110](#) [U65-E04-4020](#) [ZPF000000000097891](#) [557-262M2-06C](#) [60-042222-02S](#) [10099439-003C-TRLF](#) [226-0348-000](#)