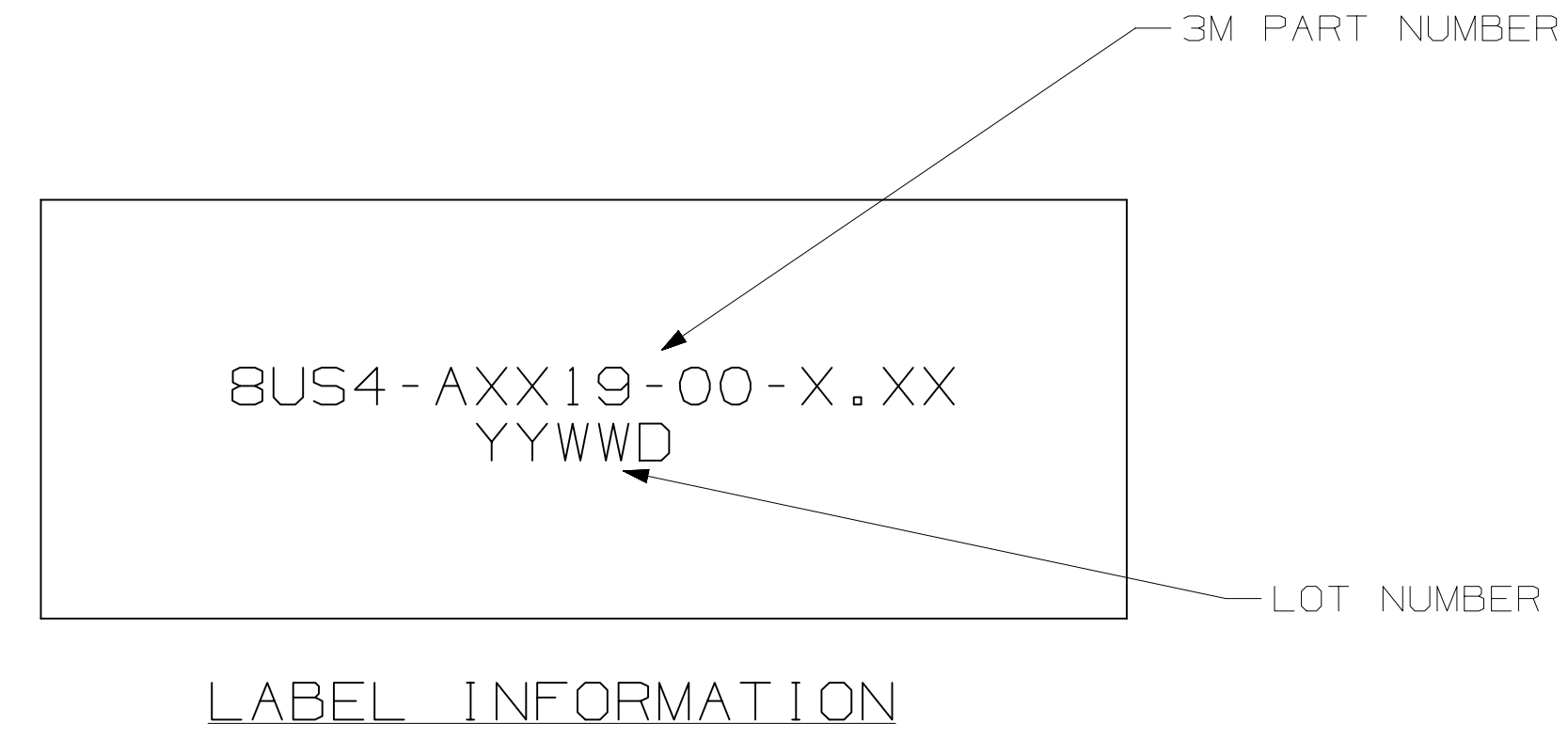
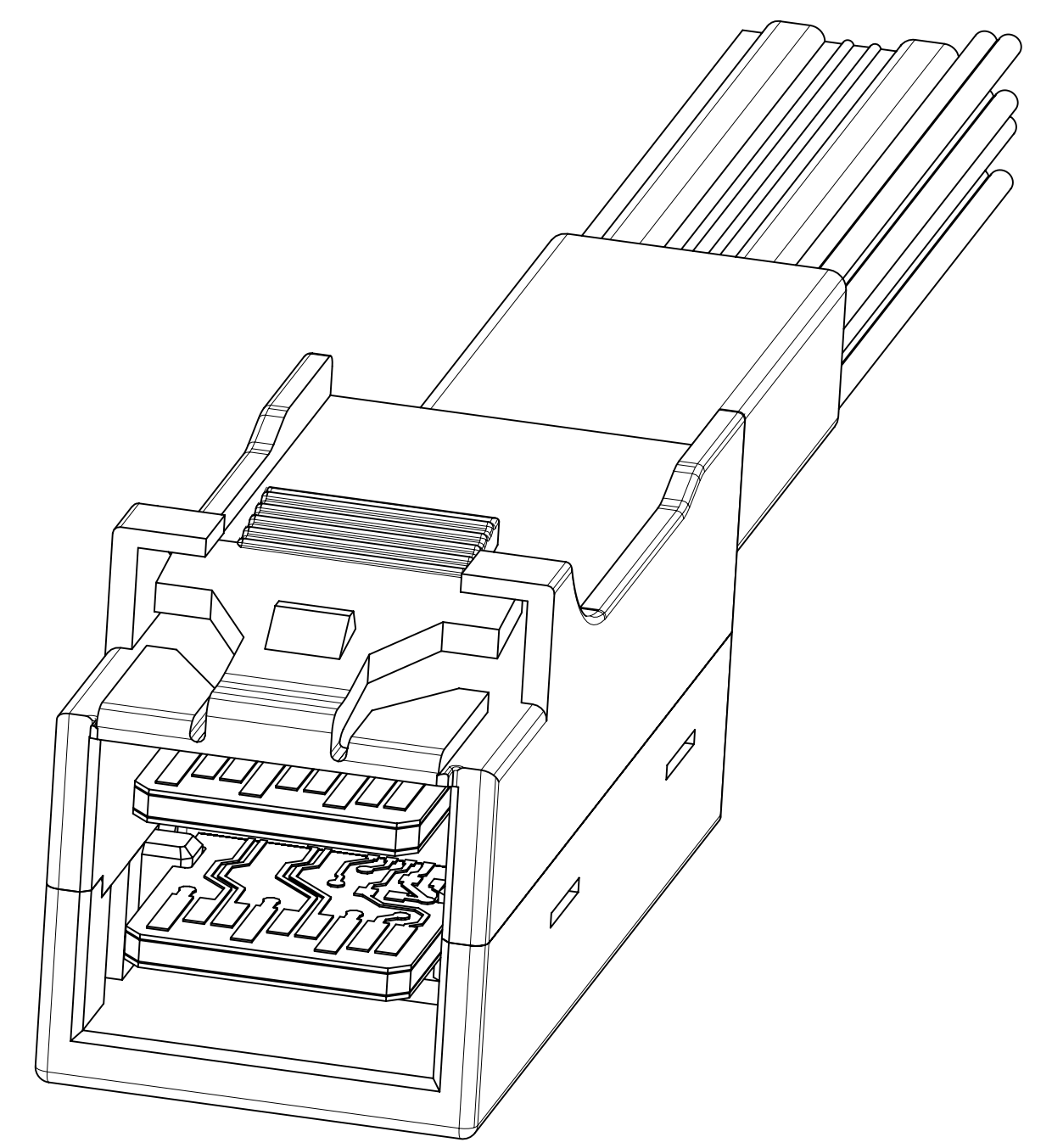
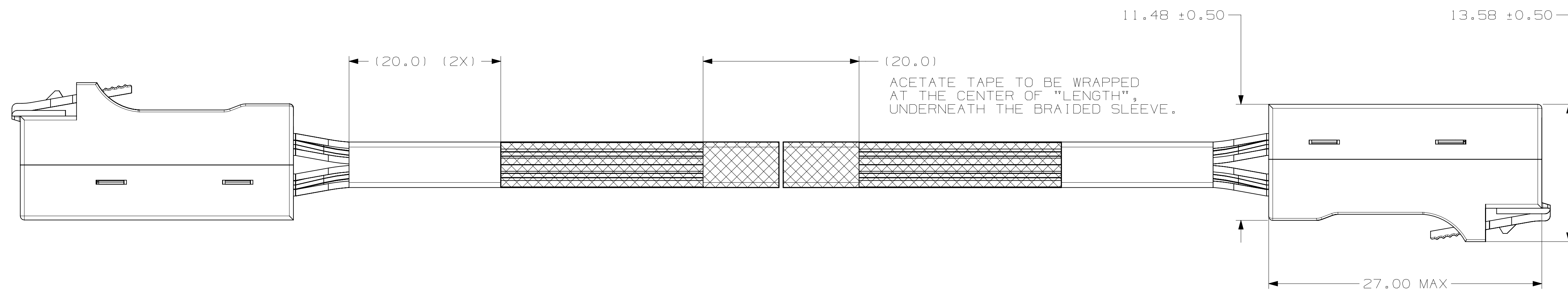
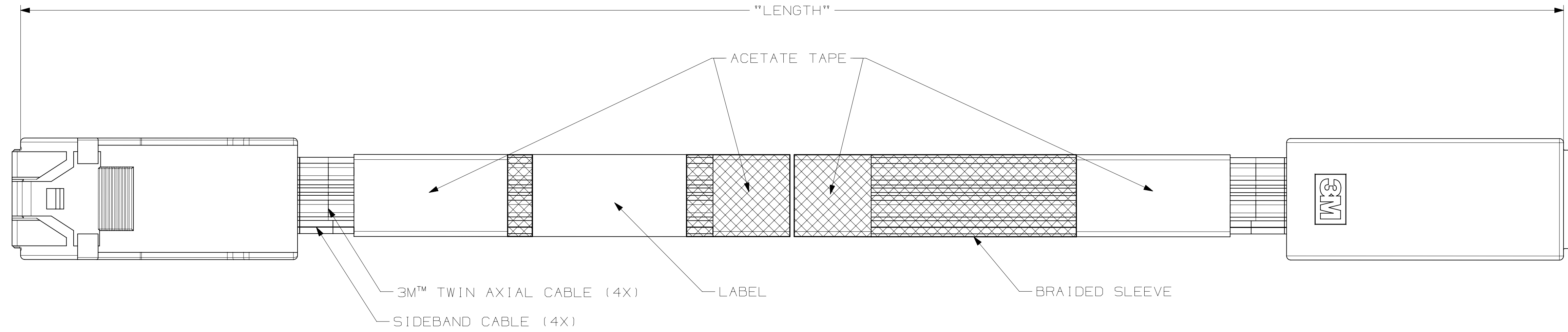


3M™ HIGH ROUTABILITY INTERNAL HD MINISAS CABLE ASSEMBLIES, 8U SERIES  
 VISIT <http://www.3Mconnectors.com>



DESIGN REFERENCE		NEXT ASSEMBLY		REV	ECO	ISSUE DATE AND DESCRIPTION	DRFT	CHKD
DISTRIBUTION CODES				DRY	KOK HOE LEE	DATE	APR 1, 2013	MFG
DIVISION		DIVISION CODE		CHKD	YUNLONG QIAO	DATE	APR 1, 2013	APPR
				DATE	APR 1, 2013	DATE	APR 1, 2013	DATE
DO NOT SCALE DRAWING		SCALE 1/4		TOLERANCES EXCEPT AS NOTED				
THIRD ANGLE PROJECTION		MILLIMETERS		INCHES		TITLE INTERNAL MINISAS HD CABLE ASSEMBLY		
INTERPRET PER ASME Y14.5 - 1994		0 ± .1		.00 ± .005		CAGE NUMBER DRAWING NO.		
MAX SURFACE ROUGHNESS 125		.00 ± .05		.000 ± .005		MODEL 78-5100-2555-0		
ALL SURFACES MARKED ONLY		ANGLES ± 1°		THIS DOCUMENT AND THE INFORMATION IT CONTAINS ARE 3M PROPERTY AND MAY NOT BE REPRODUCED OR FURTHER DISTRIBUTED WITHOUT 3M PERMISSION, OR USED OR DISCLOSED OTHER THAN FOR 3M AUTHORIZED PURPOSES. ALL RIGHTS RESERVED.		REV. B SHT 1 OF 2		

78-5100-2555-0 DRAWING NUMBER  
 06-12-2013 14:10 ASSEMBLY.PRT

3M™ HIGH ROUTABILITY INTERNAL HD MINISAS CABLE ASSEMBLIES, 8U SERIES  
 VISIT <http://www.3Mconnectors.com>

WIRING DIAGRAMS

3M PART NUMBERING SCHEME

8US4 - XXX 19 - 00 - X.XX

"LENGTH" IN METERS

"LENGTH" TOLERANCE

±10MM FOR "LENGTH" 0.5 METER MAX  
 ±15MM FOR "LENGTH" MORE THAN 0.5 METER

TABLE 1: DESCRIPTION FOR "XXX"

XXX	PINOUT
AA1	STD MINISAS HD 4i WITH SIDEBANDS (SEE TABLE 2)
CB1	MINISAS HD 4i WITHOUT SIDEBANDS (SEE TABLE 3)

NOTES

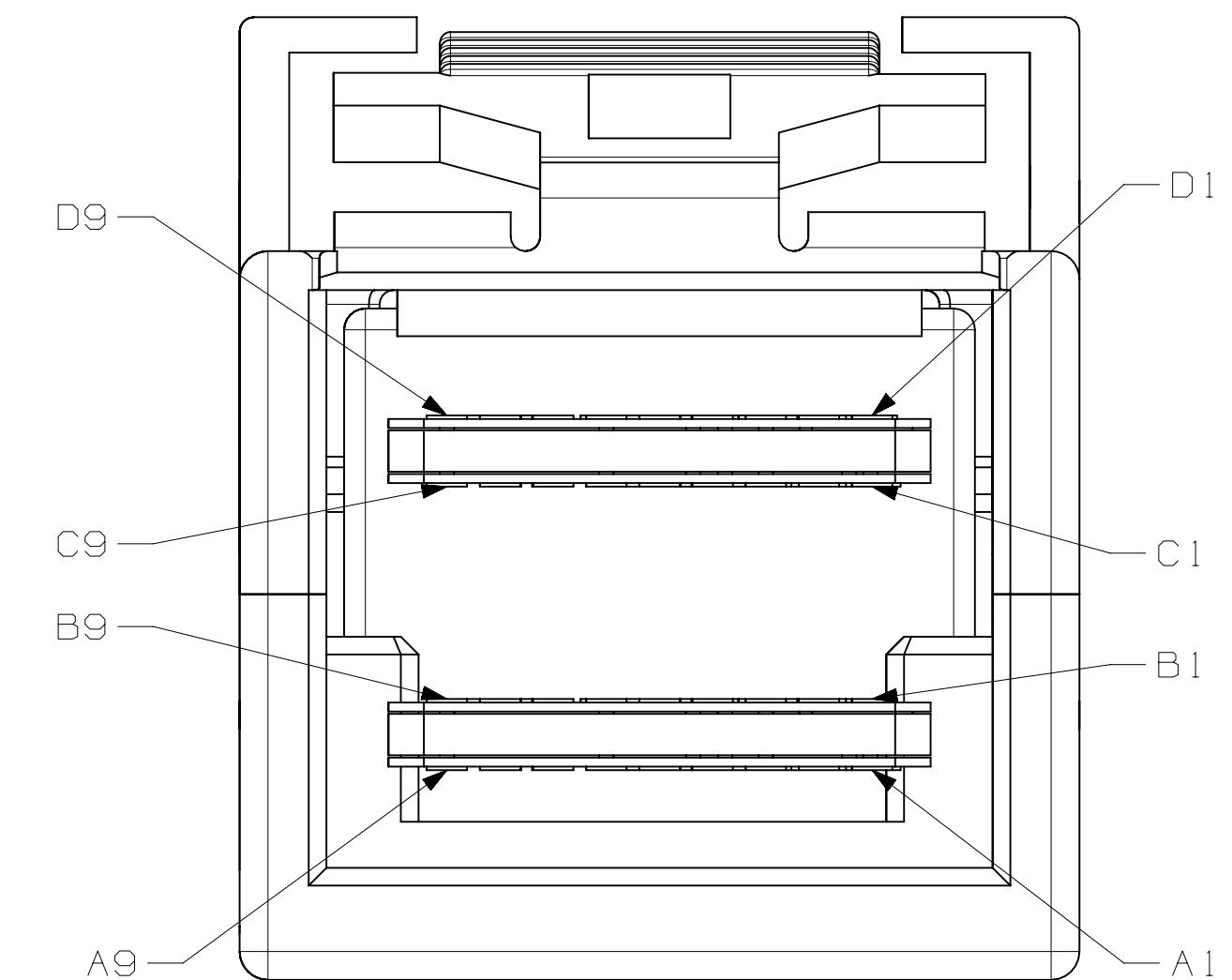
- MATERIALS:  
 HOUSING: THERMOPLASTIC  
 INNERMOULD: THERMOPLASTIC  
 3M™ TWIN AXIAL CABLE:  
 CONDUCTORS: SOLID COPPER  
 INSULATOR: POLYOLEFIN  
 SHIELDING: ALUMINIUM LAYER  
 SIDEBAND CABLE:  
 CONDUCTORS: SOLID COPPER  
 INSULATOR: THERMOPLASTIC ELASTOMER  
 PCB: LOW DIELECTRIC CONSTANT MATERIAL FOR HIGH SPEED APPLICATION  
 BRAIDED SLEEVE: THERMOPLASTIC
- ROHS COMPLIANT. SEE REGULATORY INFORMATION APPENDIX IN "ROHS COMPLIANCE" SECTION AT [WWW.3MCONNECTORS.COM](http://WWW.3MCONNECTORS.COM) (E1 & C1 APPLY)
- UNLESS OTHERWISE NOTED, REFERENCES TO INDUSTRY SPECIFICATIONS ARE INTENDED TO INDICATE SUBSTANTIAL COMPLIANCE TO THE MATERIAL ELEMENTS OF THE SPECIFICATION. SUCH REFERENCES SHOULD NOT BE CONSTRUED AS A GUARANTEE OF COMPLIANCE TO ALL REQUIREMENTS IN A GIVEN SPECIFICATION.
- PRODUCT SPECIFICATION\*: 78-5102-0147-4

WIRING DIAGRAM 1				
P1		P2		
POSITION	SYMBOL	SYMBOL	POSITION	
D9	GROUND	---	GROUND	B9
D8	Tx2-	→→	Rx2-	B8
D7	Tx2+	→→	Rx2+	B7
D6	GROUND	---	GROUND	B6
D5	Tx0-	→→	Rx0-	B5
D4	Tx0+	→→	Rx0+	B4
D3	GROUND	---	GROUND	B3
D2	SIDEBAND 6	↔↔	SIDEBAND 5	D1
C1	SIDEBAND 4	↔↔	SIDEBAND 2	C2
C2	SIDEBAND 2	↔↔	SIDEBAND 4	C1
C3	GROUND	---	GROUND	A3
C4	Tx1+	→→	Rx1+	A4
C5	Tx1-	→→	Rx1-	A5
C6	GROUND	---	GROUND	A6
C7	Tx3+	→→	Rx3+	A7
C8	Tx3-	→→	Rx3-	A8
C9	GROUND	---	GROUND	A9
B9	GROUND	---	GROUND	D9
B8	Rx2-	←←	Tx2-	D8
B7	Rx2+	←←	Tx2+	D7
B6	GROUND	---	GROUND	D6
B5	Rx0-	←←	Tx0-	D5
B4	Rx0+	←←	Tx0+	D4
B3	GROUND	---	GROUND	D3
B2	SIDEBAND 1	↔↔	SIDEBAND 3	B1
B1	SIDEBAND 3	↔↔	SIDEBAND 1	B2
A1	SIDEBAND 7	↔↔	SIDEBAND 0	A2
A2	SIDEBAND 0	↔↔	SIDEBAND 7	A1
A3	GROUND	---	GROUND	C3
A4	Rx1+	←←	Tx1+	C4
A5	Rx1-	←←	Tx1-	C5
A6	GROUND	---	GROUND	C6
A7	Rx3+	←←	Tx3+	C7
A8	Rx3-	←←	Tx3-	C8
A9	GROUND	---	GROUND	C9

TABLE 2: WITH SIDEBANDS

WIRING DIAGRAM 2				
P1		P2		
POSITION	SYMBOL	SYMBOL	POSITION	
D9	GROUND	---	GROUND	B9
D8	Tx2-	→→	Rx2-	B8
D7	Tx2+	→→	Rx2+	B7
D6	GROUND	---	GROUND	B6
D5	Tx0-	→→	Rx0-	B5
D4	Tx0+	→→	Rx0+	B4
D3	GROUND	---	GROUND	B3
C3	GROUND	---	GROUND	A3
C4	Tx1+	→→	Rx1+	A4
C5	Tx1-	→→	Rx1-	A5
C6	GROUND	---	GROUND	A6
C7	Tx3+	→→	Rx3+	A7
C8	Tx3-	→→	Rx3-	A8
C9	GROUND	---	GROUND	A9
B9	GROUND	---	GROUND	D9
B8	Rx2-	←←	Tx2-	D8
B7	Rx2+	←←	Tx2+	D7
B6	GROUND	---	GROUND	D6
B5	Rx0-	←←	Tx0-	D5
B4	Rx0+	←←	Tx0+	D4
B3	GROUND	---	GROUND	D3
A3	GROUND	---	GROUND	C3
A4	Rx1+	←←	Tx1+	C4
A5	Rx1-	←←	Tx1-	C5
A6	GROUND	---	GROUND	C6
A7	Rx3+	←←	Tx3+	C7
A8	Rx3-	←←	Tx3-	C8
A9	GROUND	---	GROUND	C9

TABLE 3: WITHOUT SIDEBANDS



DESIGN REFERENCE	NEXT ASSEMBLY	REV	ECD	ISSUE DATE AND DESCRIPTION	DRFT	CHKD
DISTRIBUTION CODES		DRN	HOE LEE	DATE	MFG	DATE
		CHKD	YUNLONG QIAO	DATE	APPR	DATE
				APR 1, 2013	SAJJIT BANDHU	APR 1, 2013
DIVISION	DIVISION CODE	© 3M COPYRIGHT 2013 This document and the information it contains are 3M property and may not be reproduced or further distributed without 3M permission, or used or disclosed other than for 3M authorized purposes. All rights reserved.				
DO NOT SCALE DRAWING	SCALE 1/4	TOLERANCES EXCEPT AS NOTED INCHES .00 ± .000 ± .0000 ±				
THIRD ANGLE PROJECTION	INTERPRET PER ASME Y14.5 - 1994	MILLIMETERS 0 ± 1 .0 ± .5 .00 ± .05 .000 ± .005				
MAX SURFACE ROUGHNESS 125	ALL SURFACES MARKED ONLY	ANGLES ± 1°				
TITLE INTERNAL MINISAS HD CABLE ASSEMBLY		CAGE NUMBER D 78-5100-2555-0		DRAWING NO. 78-5100-2555-0		REV. B
MODEL I1S1S		YES NO		SHT 2 OF 2		

78-5100-2555-0 DRAWING NUMBER  
 06-12-2013 14:10 ASSEMBLY.PRT

## X-ON Electronics

Largest Supplier of Electrical and Electronic Components

*Click to view similar products for [Computer Cables](#) category:*

*Click to view products by [3M](#) manufacturer:*

Other Similar products are found below :

[68809-0004](#) [8F36-AAA105-1.00](#) [IB63](#) [IB68](#) [CBK-11-290K-00](#) [ACL-10568-5](#) [419-2083-202](#) [427522400-3](#) [IB76](#) [CB-3PSATA-RS](#)  
[426091300-3](#) [48000023](#) [10114976-P015002LF](#) [88761-6101](#) [NT631C-CN321-EU](#) [1700009397](#) [MIKROE-2092](#) [PCL-10488-2E](#) [1700009405](#)  
[PS/2 Cable](#) [NT31C-CN323-EU](#) [FWAX-PK1-51](#) [68801-1905](#) [2404774](#) [SATA Power to B4P cable](#) [68801-0630](#) [68801-3612](#) [68801-3618](#)  
[205058-1002](#) [PS2NK](#) [820153-R12](#) [FCB-3235-UAS](#) [821016](#) [SATA cable](#) [96021-0000-00-0](#) [RS-CBL-OC-2MSAS](#) [0685610020](#) [0745063002](#)  
[0745460813](#) [0745461605](#) [0745470304](#) [0887505318](#) [0887511310](#) [0DT60002](#) [C-PS2WG/5](#) [C-PS2WW/2](#) [C-PS2WW/3](#) [73220861](#) [CV0002](#)  
[CV0005](#)