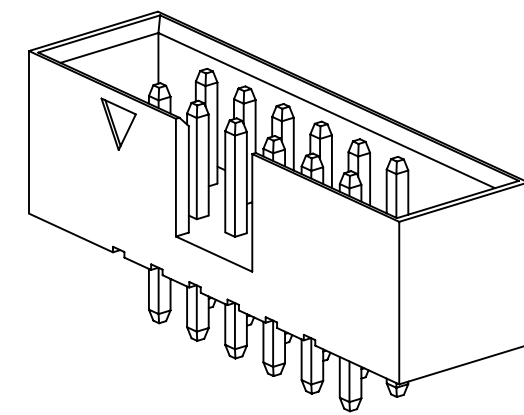
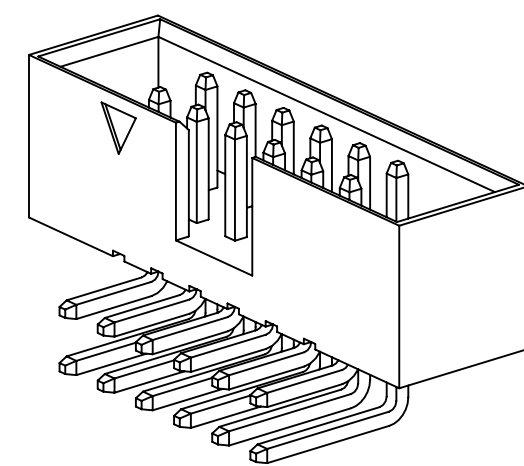


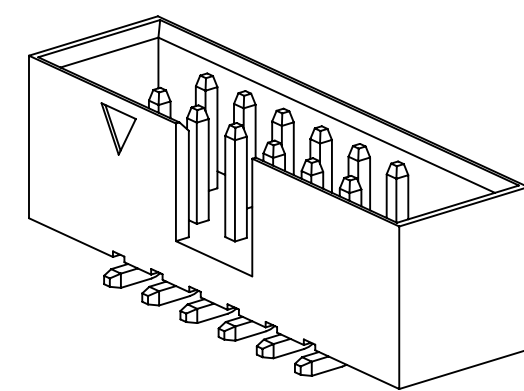
3M™ BOX HEADER, 957 SERIES
2MM X 2MM, STRAIGHT, RIGHT ANGLE AND SURFACE MOUNT, SOLDER TAIL



DUAL ROW
STRAIGHT
VERSION



DUAL ROW
RIGHT ANGLE
VERSION



DUAL ROW
SURFACE MOUNT
VERSION

2 PHYSICAL :

INSULATOR :
MATERIAL : HIGH TEMP THERMOPLASTIC
FLAMMABILITY : UL94V-0
COLOR : BLACK
CONTACT :
MATERIAL : COPPER ALLOY
PLATING :
UNDER PLATING : 50-100μ" [1.27-2.54μm] NICKEL-OVERALL
WIPING AREA : GOLD FLASH
SOLDER TAILS : 40-118μ" [1-3μm] MATTE TIN

2 ELECTRICAL :

CURRENT RATING : 2A
CONTACT RESISTANCE : ≤20 mΩ
INSULATION RESISTANCE : ≥1000 MΩ
WITHSTANDING VOLTAGE : 500 Vr.m.s, 1mA, 60s

2 MECHANICAL :

RETENTION FORCE : ≥ 4.5N PER PIN

2 ENVIRONMENTAL :

TEMPERATURE RATING : -40° C TO 125° C Δ
HUMIDITY : <93% AT 40° C
RESISTANCE TO SOLDERING HEAT : 260° C±5° C, 10s

- NOTES
- REGULATORY INFORMATION:
ROHS COMPLIANT. SEE THE REGULATORY INFORMATION APPENDIX (RIA) IN THE "ROHS COMPLIANCE" SECTION OF WWW.3MCONNECTORS.COM FOR COMPLIANCE INFORMATION.
 - IN THE EVENT OF CONFLICT BETWEEN THIS DATA AND THAT CONTAINED IN THE PRODUCT SPECIFICATION, THE PRODUCT SPECIFICATION TAKES PRECEDENT.
 - N = THE NUMBER OF POSITIONS.

3M™ ELECTRONICS MATERIALS SOLUTIONS DIVISION
INTERCONNECT SOLUTIONS
<http://www.3m.com/interconnect>

3M IS A TRADEMARK OF 3M COMPANY.
FOR TECHNICAL, SALES OR ORDERING
INFORMATION CALL 800-225-5373

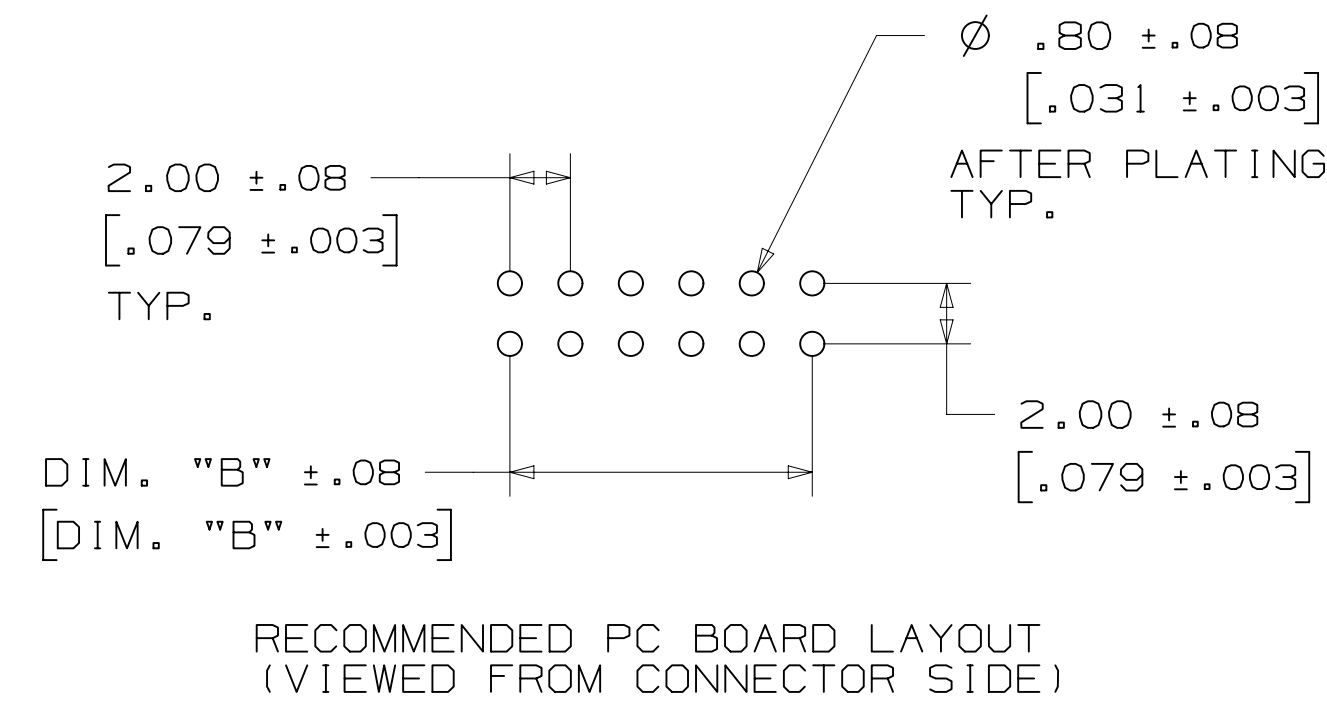
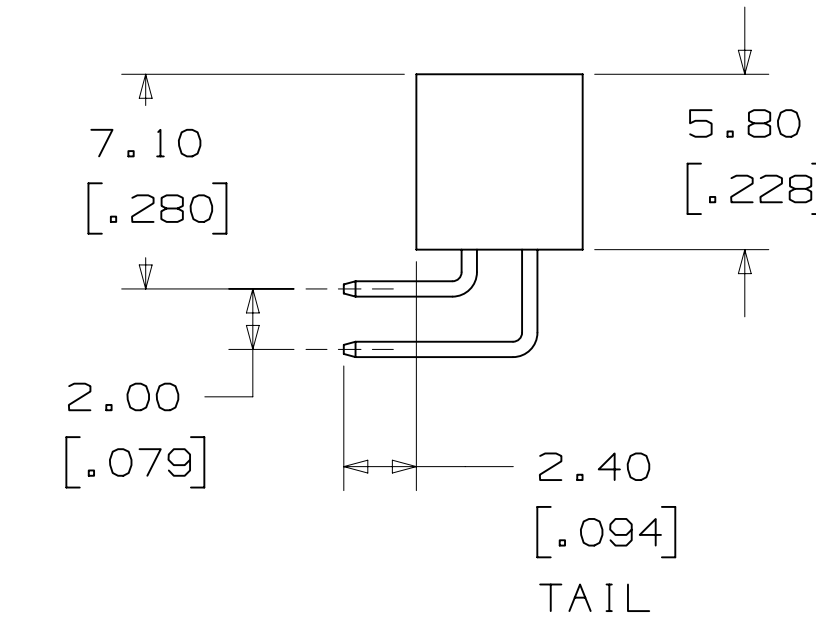
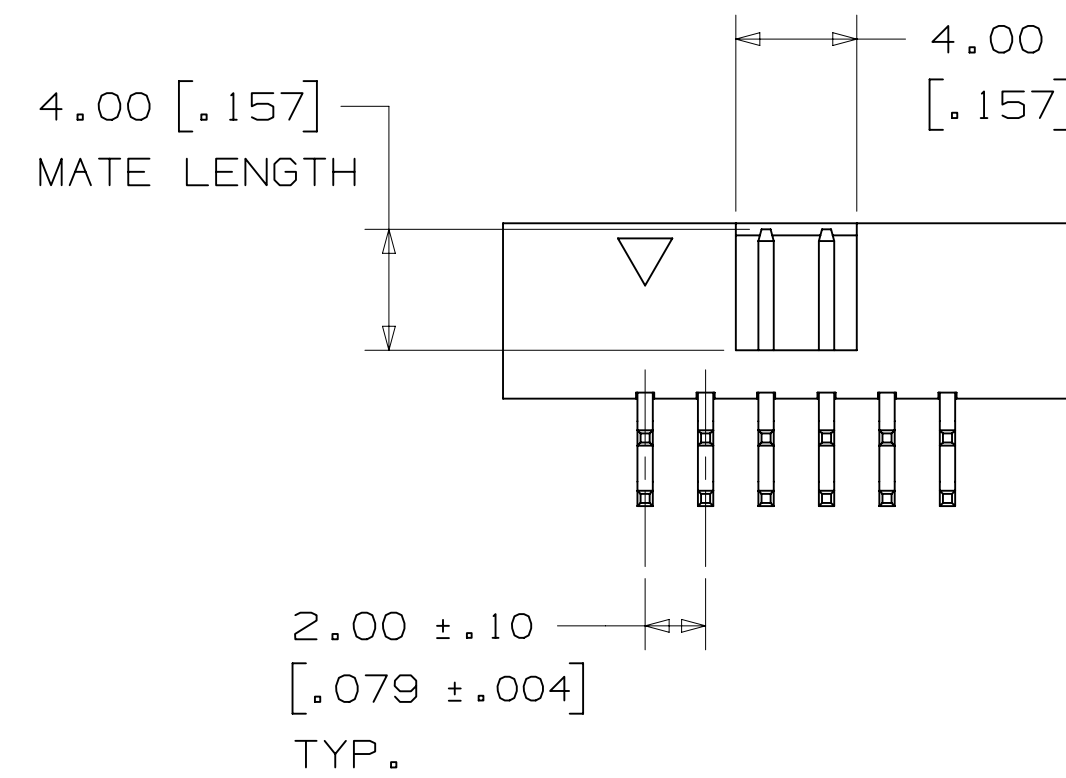
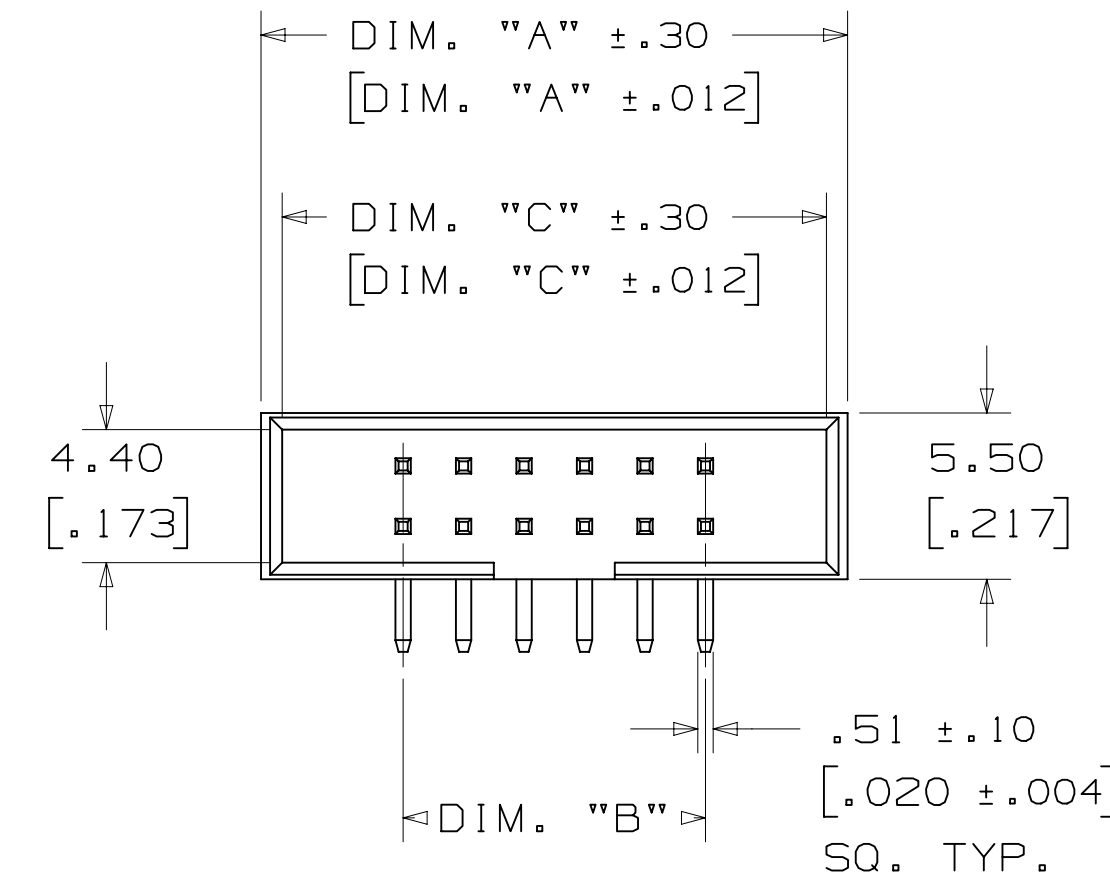
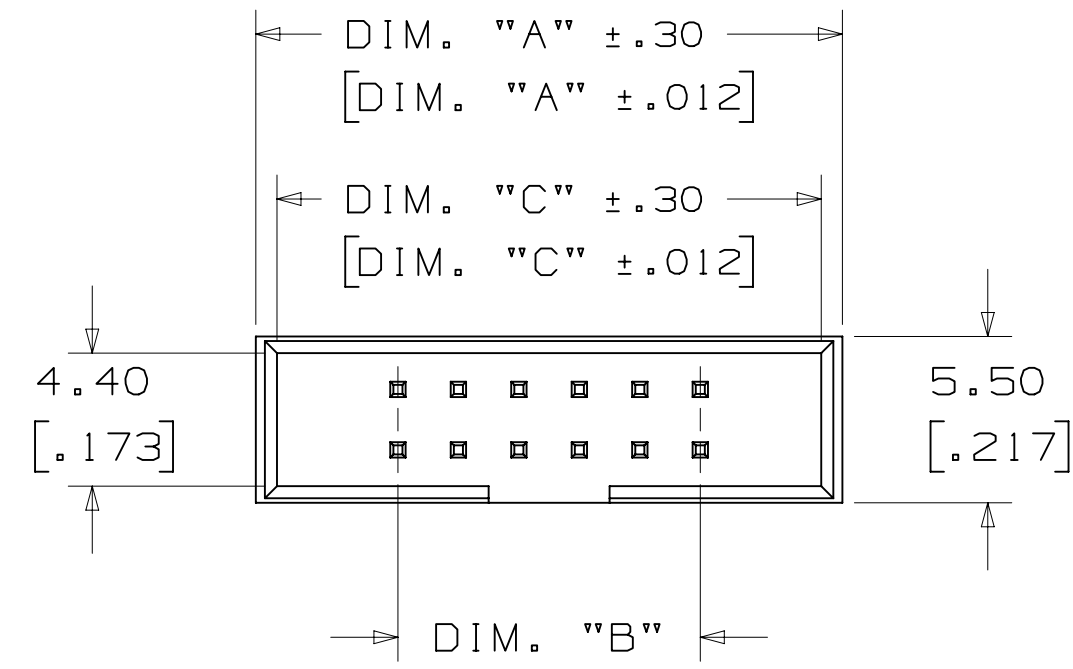
DIMENSIONS: INCH [MM]
[MM] FOR REF. ONLY

MM [INCH]		
TOLERANCE - UNLESS NOTED		
	X.	.XX
MM	±.5	±.20
[INCH]	±.02	±.008
[] = DIM. FOR REFERENCE ONLY		

DESIGN REFERENCE	NEXT ASSEMBLY	REV	ECO	ISSUE DATE AND DESCRIPTION	DRFT	CHKD
CODES						
DIVISION	DIVISION CODE	DRFT	DATE	MFG	DATE	
DO NOT SCALE DRAWING	SCALE 4/1	EMSD	CASTIGLIONE	MAY 14, 2015		
TOLERANCES EXCEPT AS NOTED		APPRV		DATE		
THIRD ANGLE PROJECTION		T. SUNIGA		MAY 14, 2015		
INTERPRET PER ASME Y14.5 - 2009						
MAX SURFACE ROUGHNESS						
[] MARKED ONLY						
		3M Center St. Paul, MN 55144		© 3M COPYRIGHT 2020		
		This document and the information it contains are 3M property and may not be reproduced or further distributed without 3M permission, or used or disclosed other than for 3M authorized purposes. All rights reserved.		TITLE		
				BOX HEADER, 2MM, STRAIGHT, RIGHT ANGLE AND SMT		
		CAGE NUMBER		DRAWING NO.		REV.
		D		78-5100-2656-6		D
		MODEL		9572		DET
				YES <input type="checkbox"/> NO <input type="checkbox"/>		SHT 1 OF 4

78-5100-2656-6
 DRAWING NUMBER
 1
 REVISION
 6
 (hrs)
 Drr-set
 -- UTC
 4/27/2020
 Time
 Standard
 Central
 Imaged

3M™ BOX HEADER, 957 SERIES
 2MM X 2MM, STRAIGHT, RIGHT ANGLE AND SURFACE MOUNT, SOLDER TAIL



ORDERING INFORMATION
 (STRAIGHT & RIGHT ANGLE ONLY)

9572XX-X002-AR

CONTACT QTY:
 06-64

MOUNTING STYLE:
 5 = RIGHT ANGLE
 6 = STRAIGHT

3M™ ELECTRONICS MATERIALS SOLUTIONS DIVISION
 INTERCONNECT SOLUTIONS
<http://www.3m.com/interconnect>

3M IS A TRADEMARK OF 3M COMPANY.
 FOR TECHNICAL, SALES OR ORDERING
 INFORMATION CALL 800-225-5373

TABLE 1 mm	
DIM. "A"	$((N/2) - 1) \times 2.00 + 9.40$
DIM. "B"	$((N/2) - 1) \times 2.00$
DIM. "C"	$((N/2) - 1) \times 2.00 + 8.00$
SEE NOTE 3	

REV	ECO	ISSUE DATE AND DESCRIPTION	DRFT	CHKD
D	90462	APR 27, 2020 REVISED WARRANTY STATEMENT REVISED TABLE 1 ON SHEETS 2 AND 3	LDS	FJR
C	78557	APR 05, 2018 UPDATE TABLE 1 TO REMOVE [IN] VALUES	SBO	FR
B	74628	JUL 06, 2017 WAS: -40C TO 105C	LDS	SC
A	72044	FEB 02, 2017 PRODUCTION RELEASE	JNC	TS

DESIGN REFERENCE	NEXT ASSEMBLY

APPROV	DATE	APPROV	DATE
CASTIGLIONE	MAY 14, 2015	T. SUNIGA	MAY 14, 2015

DO NOT SCALE DRAWING	SCALE	TOLERANCES EXCEPT AS NOTED
<input checked="" type="checkbox"/>	4 1	INCHES .00 .000 0.000 ±
<input checked="" type="checkbox"/>		MILLIMETERS 0 .00 .000 ±
<input checked="" type="checkbox"/>		ANGLES 0 0.00 ±

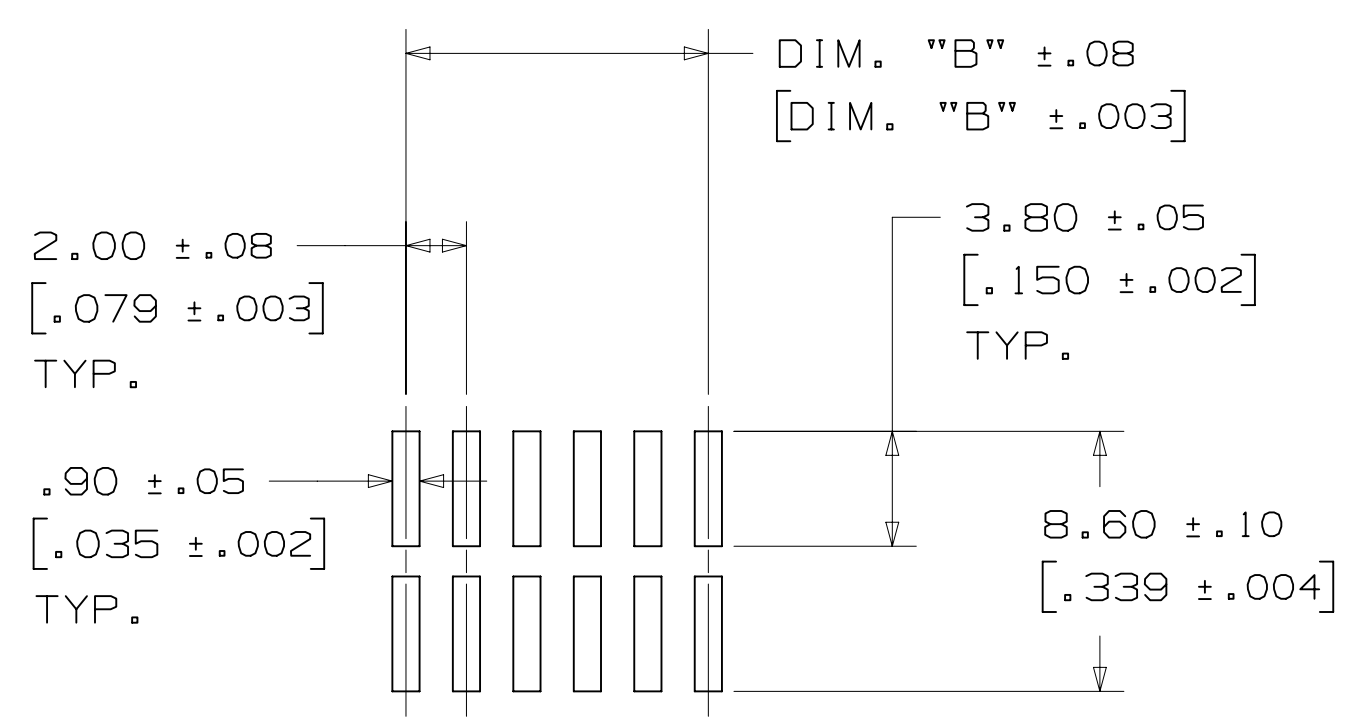
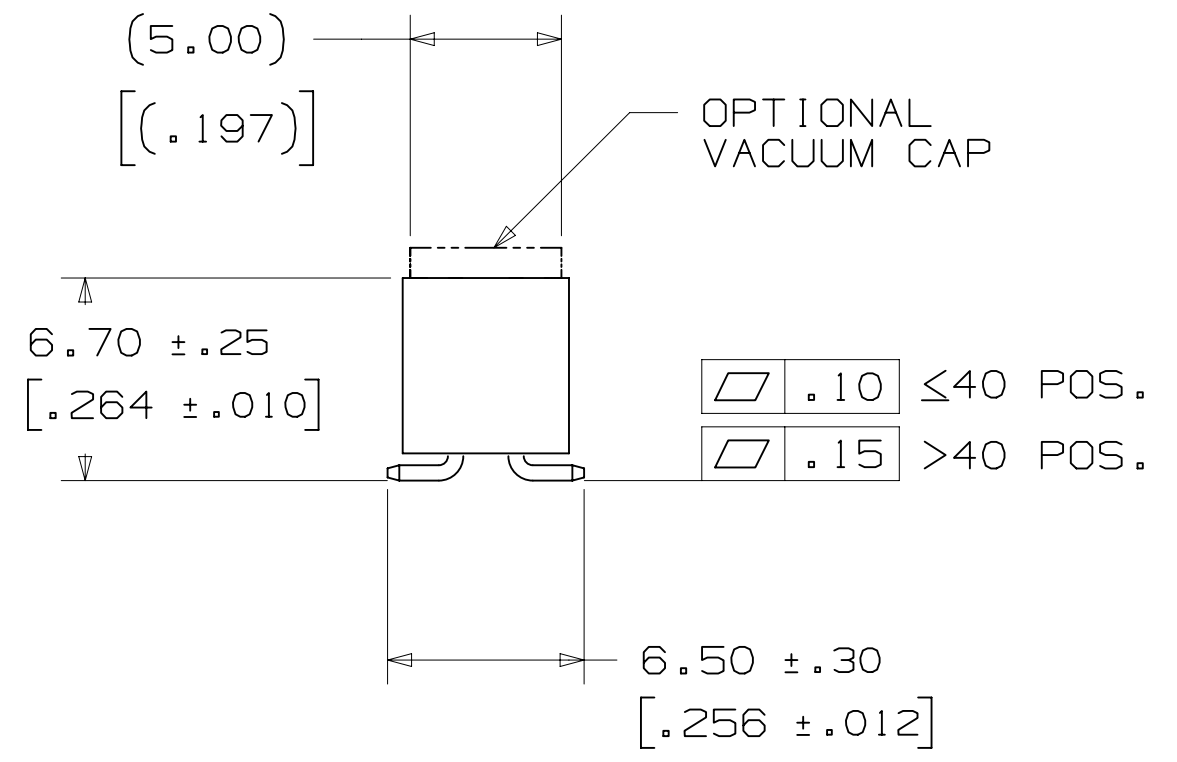
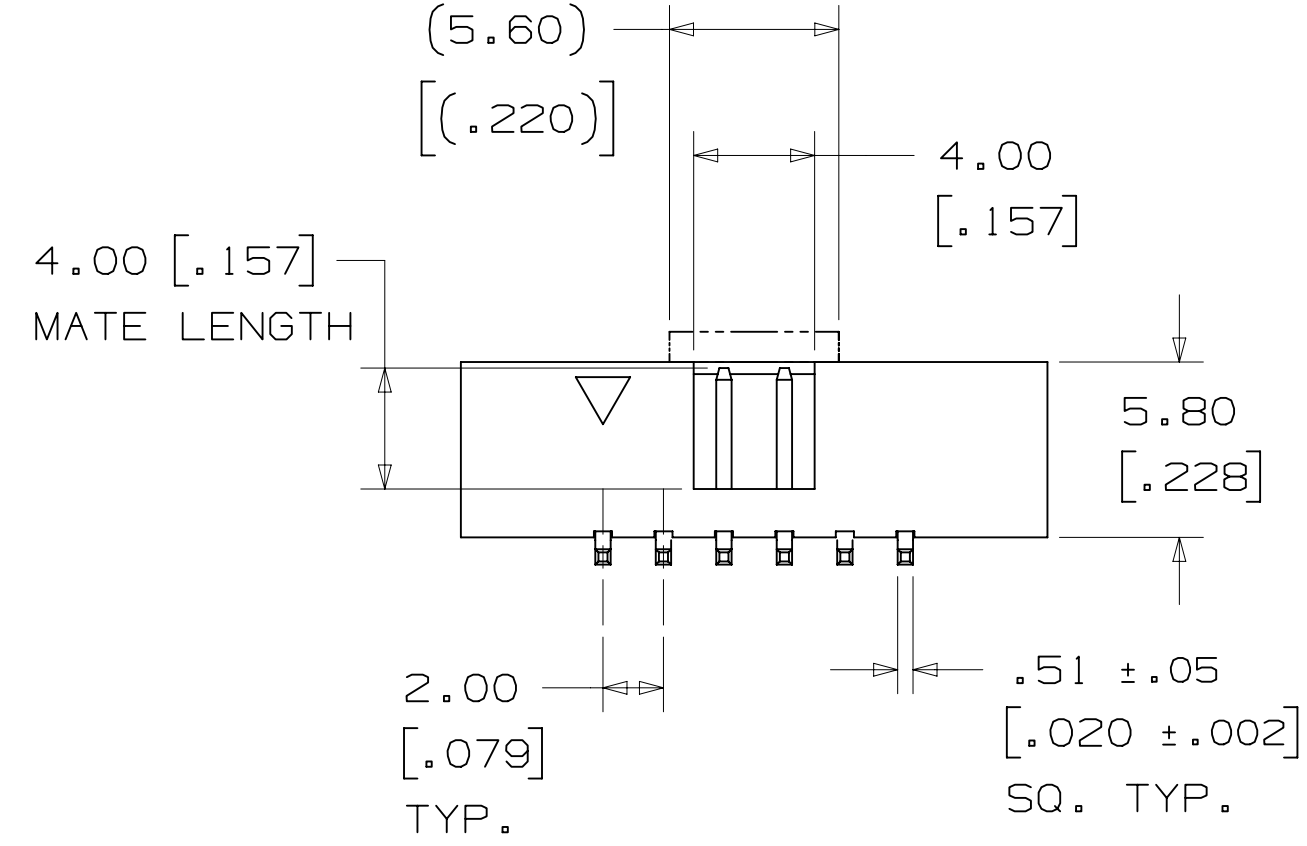
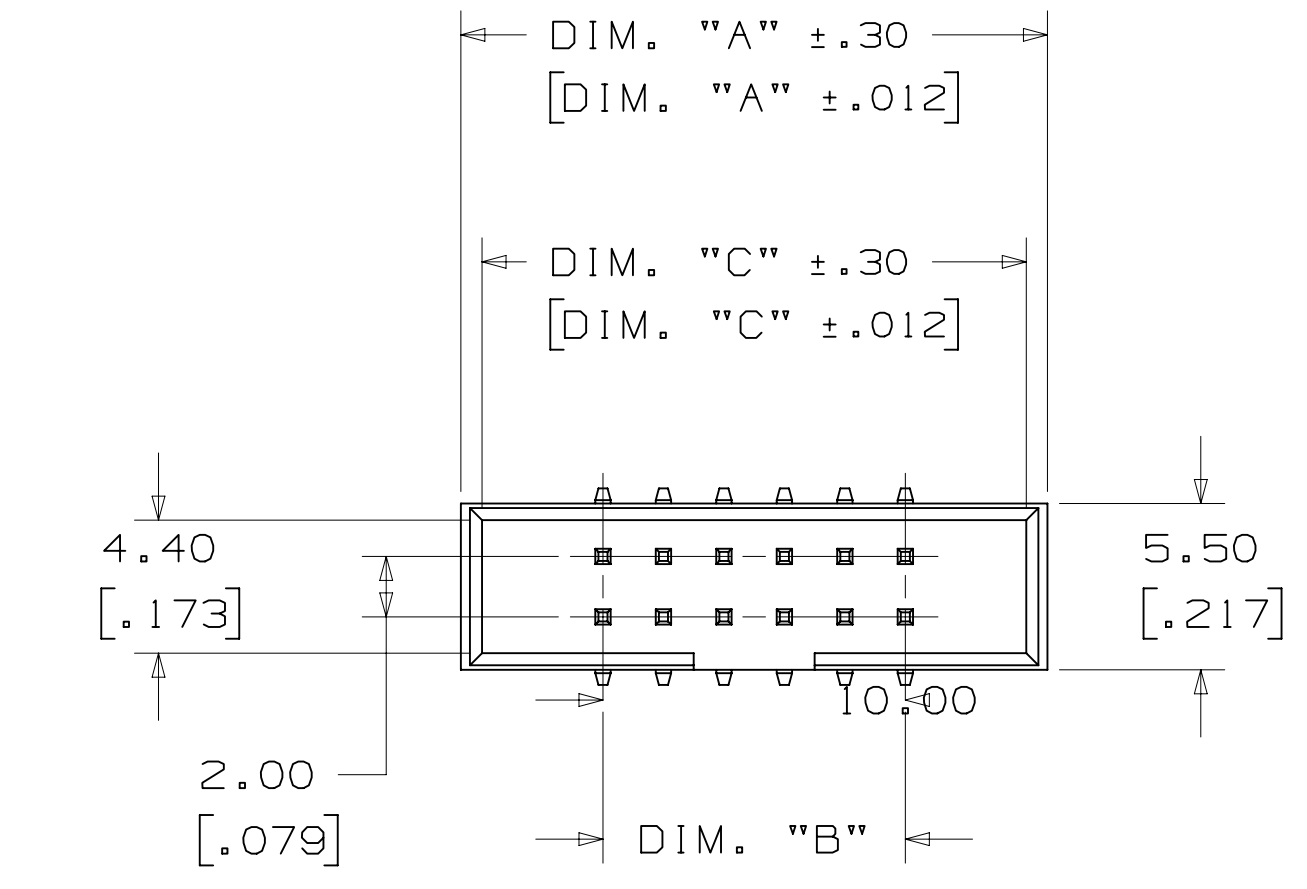
CAGE NUMBER	SIZE	DRAWING NO.	REV.
D	78-5100-2656-6	D	D

MODEL	DET	YES	NO	SHT	OF
9572		<input type="checkbox"/>	<input checked="" type="checkbox"/>	2	4

78-5100-2656-6
 DRAWING NUMBER
 4/27/2020
 UTC
 6 hrs
 6
 Off-set
 6

3M™ BOX HEADER, 957 SERIES

2MM X 2MM, STRAIGHT, RIGHT ANGLE AND SURFACE MOUNT, SOLDER TAIL



RECOMMENDED PC BOARD LAYOUT
(VIEWED FROM CONNECTOR SIDE)

ORDERING INFORMATION (SURFACE MOUNT ONLY)

9572XX-20X0-AR-XX

CONTACT QTY:
06-64

LOCATING POST:
0 = NONE

PACKAGING:
TP = TUBE WITHOUT PAD
PT = TUBE WITH PAD
PR = TAPE & REEL WITH PAD
SEE TABLE 2

TABLE 2 TAPE & REEL OPTIONS					
CONTACT QTY.	10-12	14-24	26-34	40-50	60-68
TAPE WIDTH [MM]	32	44	56	72	88

TABLE 1 mm	
DIM. "A"	$((N/2) - 1) \times 2.00 + 9.40$
DIM. "B"	$(N/2) - 1 \times 2.00$
DIM. "C"	$((N/2) - 1) \times 2.00 + 8.00$

SEE NOTE 3

DESIGN REFERENCE	NEXT ASSEMBLY	REV	ECO	ISSUE DATE AND DESCRIPTION	DRFT	CHKD
DIVISION	DIVISION CODE	DATE	DATE	DATE	DATE	DATE
	EMSD	MAY 14, 2015		MAY 14, 2015		
DO NOT SCALE DRAWING		SCALE	TOLERANCES EXCEPT AS NOTED			
		4 1	INCHES TYP. .00 .000 ± 0000			
THIRD ANGLE PROJECTION		MILLIMETERS TYP. 0 ± .00 ± 000				
INTERPRET PER ASME Y14.5 - 2009		MAX. SURFACE ROUGHNESS TYP. 0 ± 000				
☐ MARKED ONLY		CAGE NUMBER D 78-5100-2656-6				
		MODEL 9572				
		REV. DATE D MAY 14, 2015				
		SHT 3 OF 4				

3M Center St. Paul, MN 55144

© 3M COPYRIGHT 2020. This document and the information it contains are 3M property and may not be reproduced or further distributed without 3M permission, or used or disclosed other than for 3M authorized purposes. All rights reserved.

TITLE: **BOX HEADER, 2MM, STRAIGHT, RIGHT ANGLE AND SMT**

3M™ ELECTRONICS MATERIALS SOLUTIONS DIVISION
INTERCONNECT SOLUTIONS
<http://www.3m.com/interconnect>

3M IS A TRADEMARK OF 3M COMPANY.
FOR TECHNICAL, SALES OR ORDERING
INFORMATION CALL 800-225-5373

D
REV. DATE
78-5100-2656-6
DRAWING NUMBER
B
UTC
4/27/2020
Time
00:00
A
set

Regulatory: For regulatory information about this product, visit 3M.com/regs or contact your 3M representative.

Technical Information: The technical information, recommendations and other statements contained in this document are based upon tests or experience that 3M believes are reliable, but the accuracy or completeness of such information is not guaranteed.

Product Use: Many factors beyond 3M's control and uniquely within user's control can affect the use and performance of a 3M product in a particular application. Given the variety of factors that can affect the use and performance of a 3M product, user is solely responsible for evaluating the 3M product and determining whether it is fit for a particular purpose and suitable for user's method of application.


Warranty, Limited Remedy, and Disclaimer: Unless an additional warranty is specifically stated on the applicable 3M product packaging or product literature, 3M warrants that each 3M product meets the applicable 3M product specification at the time 3M ships the product. 3M MAKES NO OTHER WARRANTIES OR CONDITIONS, EXPRESS OR IMPLIED, INCLUDING, BUT NOT LIMITED TO, ANY IMPLIED WARRANTY OR CONDITION OF MERCHANTABILITY OR FITNESS FOR A PARTICULAR PURPOSE OR ANY IMPLIED WARRANTY OR CONDITION ARISING OUT OF A COURSE OF DEALING, CUSTOM OR USAGE OR TRADE. If the 3M product does not conform to this warranty, then the sole and exclusive remedy is, at 3M's option, replacement of the 3M product or refund of the purchase price.

Limitation of Liability: Except where prohibited by law, 3M will not be liable for any loss or damage arising from the 3M product, whether direct, indirect, special, incidental or consequential, regardless of the legal theory asserted, including warranty, contract, negligence or strict liability.

3M Company
 Electronics Materials Solutions Division
 13011 McCallen Pass, Bldg. C
 Austin, TX 78753-5380
 1-800-225-5373
 www.3M.com/interconnect

3M™ ELECTRONICS MATERIALS SOLUTIONS DIVISION
 INTERCONNECT SOLUTIONS
<http://www.3m.com/interconnect>

3M IS A TRADEMARK OF 3M COMPANY.
 FOR TECHNICAL, SALES OR ORDERING
 INFORMATION CALL 800-225-5373

DESIGN REFERENCE	NEXT ASSEMBLY	REV	ECO	ISSUE DATE AND DESCRIPTION	DRFT	CHKD
		CASTIGLIONE	MAY 14, 2015	MFG		
				DATE	DATE	DATE
				APPRV	DATE	DATE
				T. SUNIGA	MAY 14, 2015	
DIVISION		DIVISION CODE		 © 3M COPYRIGHT 2020 This document and the information it contains are 3M property and may not be reproduced or further distributed without 3M permission, or used or disclosed other than for 3M authorized purposes. All rights reserved.		
DO NOT SCALE DRAWING	SCALE 1/1	TOLERANCES EXCEPT AS NOTED		TITLE BOX HEADER, 2MM, STRAIGHT, RIGHT ANGLE AND SMT		
THIRD ANGLE PROJECTION		INCHES		CAGE NUMBER D 78-5100-2656-6		
		MILLIMETERS		DRAWING NO. 78-5100-2656-6		
MAX SURFACE ROUGHNESS		SURFACES		MODEL 9572		
		MARKED ONLY		DET <input type="checkbox"/> YES <input checked="" type="checkbox"/> NO		
		ANGLES		SHT 4 OF 4		

78-5100-2656-6
 DRAWING NUMBER
 4/27/2020
 Time
 UTC
 Drr-set
 (hrs)
 6

X-ON Electronics

Largest Supplier of Electrical and Electronic Components

Click to view similar products for [Headers & Wire Housings](#) category:

Click to view products by [3M](#) manufacturer:

Other Similar products are found below :

[95000-104TRLF](#) [10135584-644402LF](#) [DF62W-EP2022PCA](#) [95000-106TRLF](#) [DF62W-2022SCA](#) [DF62W-EP2022PC](#) [2203348](#) [DF62W-2022SC](#) [1084018](#) [1029039](#) [1084017](#) [802-10-012-10-002000](#) [1112640](#) [1112639](#) [000-34000](#) [0009482033](#) [0009507031](#) [57102-S06-03LF](#) [57202-S52-04LF](#) [PCN6-15S-2.5E](#) [0039019024](#) [58102-G61-06LF](#) [582553-1](#) [0009508121](#) [0022285053](#) [0050291907](#) [018731A](#) [LY20-4P-DT1-P1E-BR](#) [02.125.8002.8](#) [60101931](#) [60598-1 \(Cut Strip\)](#) [M1625-3R/100](#) [61062-3](#) [61082-181009](#) [636-1427](#) [638009-1](#) [641938-9](#) [641991-4](#) [644168-1](#) [644827-2](#) [647662-1](#) [65039-019ELF](#) [65817-002LF](#) [65817-015LF](#) [65863-015LF](#) [66207-023LF](#) [67016-026LF](#) [67046-001LF](#) [67095-007LF](#) [68002-116](#)