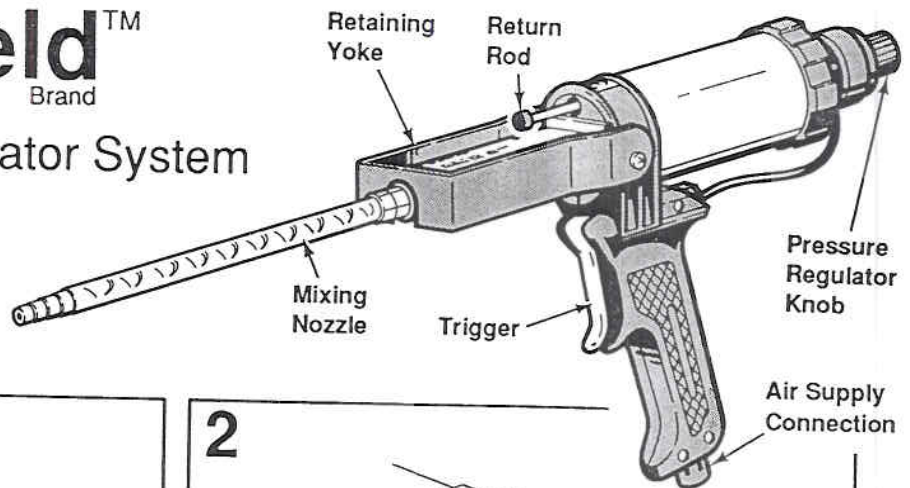


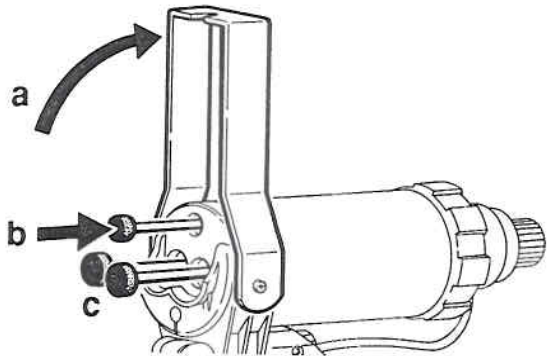
# Scotch-Weld™ Brand

## EPX™ Pneumatic Applicator System



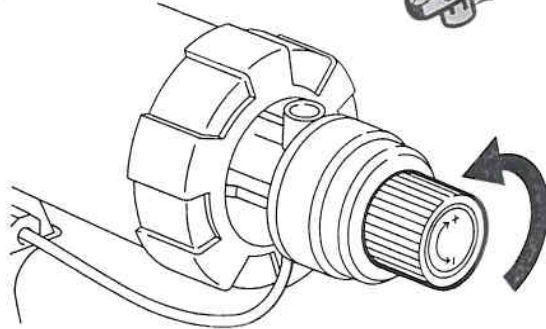
### Directions for Use

1



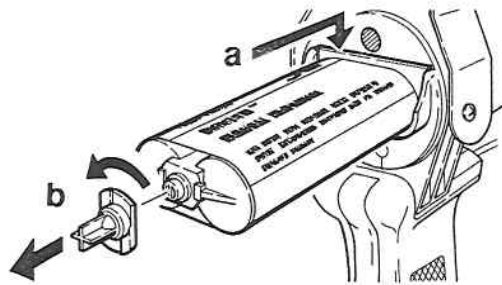
- a Swing retaining yoke up.
- b Push return rod fully into applicator.
- c Plunger disks retract with return rod.

2



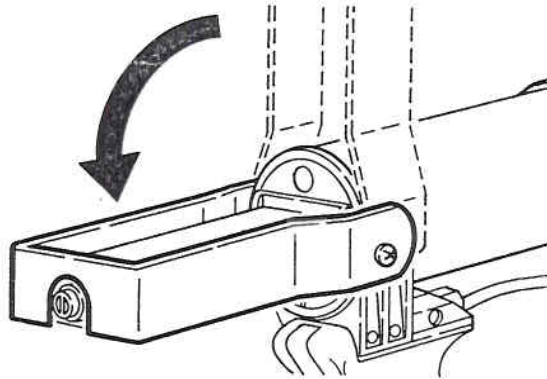
Turn pressure regulator knob fully counterclockwise to minimize pressure.

3



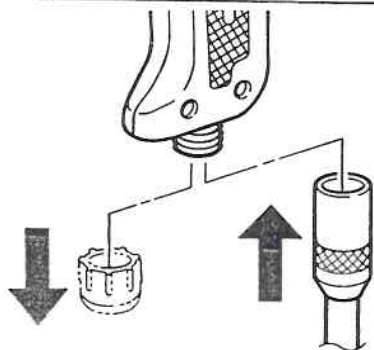
- a Slide Duo-Pak into bracket so top of flange clears return rod.
- b Twist and remove Duo-Pak cap.

4



Swing retaining yoke down over Duo-Pak.

5

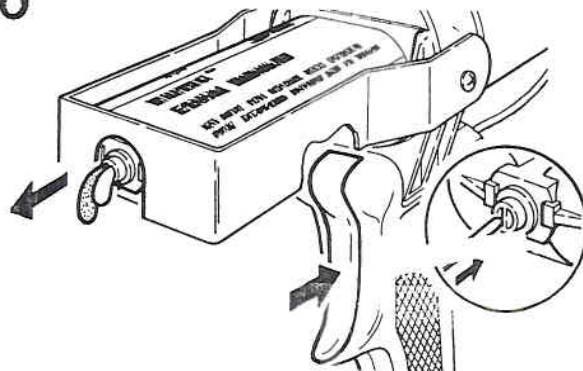


Connect air supply to air supply connection.

#### WARNING

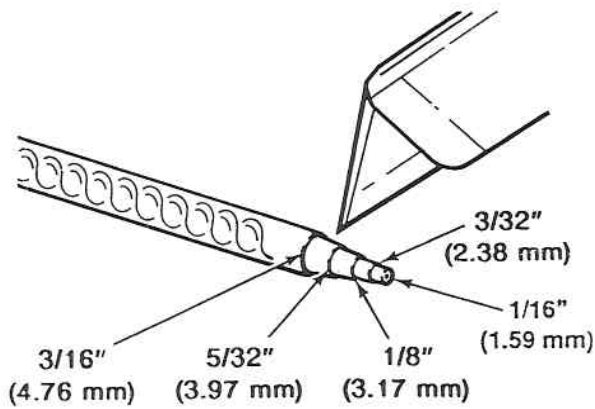
DO NOT ACTIVATE TRIGGER UNTIL YOKE IS HOLDING DUO-PAK CARTRIDGE IN POSITION. DAMAGE TO APPLICATOR AND INJURY MAY RESULT.  
KEEP DUO-PAK ORIFICE POINTED AWAY FROM BODY.

6



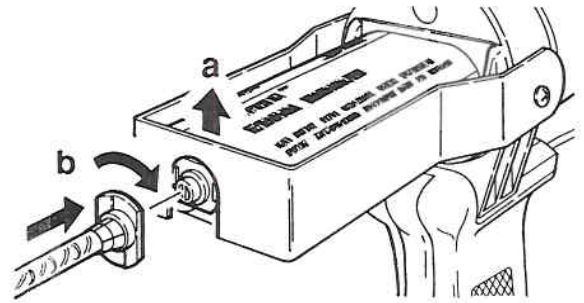
Squeeze trigger to expel a small amount of adhesive. Ensure that both components flow freely. Clear orifice of hardened material if necessary.

7



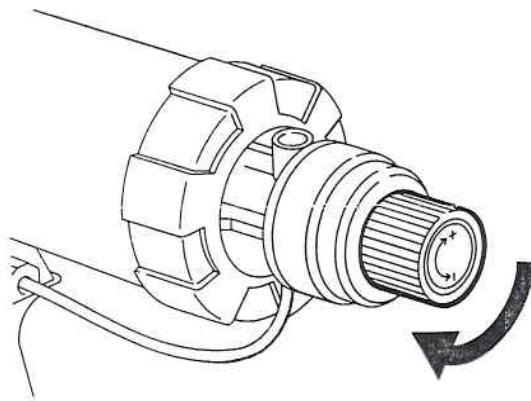
If desired, cut nozzle tip for increased bead size/flow rate.

8



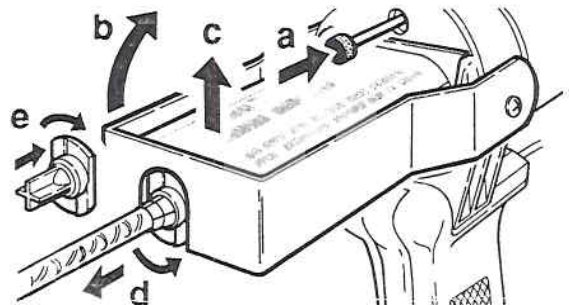
- a Lift yoke slightly if necessary to facilitate mixing nozzle attachment.
- b Twist mixing nozzle into locked position on Duo-Pak tip.

9



Turn pressure knob clockwise to desired delivery rate.

10 To remove Duo-Pak after use:



- a Push return rod fully into applicator.
- b Swing retaining yoke up.
- c Slide Duo-Pak up and out of bracket.
- To store partially used Duo-pak:
- d Twist and remove nozzle.  
Wipe excess material from orifice.  
Avoid cross-contact of components.
- e Twist cap into locked position on Duo-Pak.

**WARNING**  
DO NOT ACTUATE TRIGGER WHEN  
APPLICATOR IS UNLOADED.

**11** To reload applicator, disconnect air supply and repeat steps 3-8.

#### Care of Applicator

Periodically clean any adhesive from plunger disks (refer to figure 1c) with common solvents and detergents. Product data sheets may contain specific procedures. **WARNING: Use proper precautionary measures when using solvents.**

#### Replacement Part

EPX Mixing Nozzle: 3M Stock Number 62-9741-9935-6

#### Limited Warranty

If 3M products are proven defective, the user's exclusive remedy will be, at 3M's option, to replace the defective 3M products or to refund the purchase price for the defective quantity. Except for the replacement or refund remedies, 3M is not liable for direct damages or liable for indirect, incidental, or consequential damages, regardless of the legal theory asserted, including negligence and strict liability.

34-7011-9472-1

Adhesive Systems  
3M Industrial Specialties Division

3M Center Building 220-7E-01  
St. Paul, MN 55144-1000

**3M**

## X-ON Electronics

Largest Supplier of Electrical and Electronic Components

*Click to view similar products for [Adhesive Tapes](#) category:*

*Click to view products by [3M](#) manufacturer:*

Other Similar products are found below :

[56-YELLOW-34"X72YD](#) [00-021200-13972-7](#) [021200-64630](#) [60 TAPE \(1"\)](#) [62-GRAY-12"X36YD](#) [62-GRAY-1"X36YD](#) [69-1"X36YD](#) [764-1"x36yd-Red](#) [764-1"x36yd-White](#) [PG ASSY](#) [9500PC-3/4](#) [967454-1](#) [1181 19MM X 16,5 METERS](#) [130C-1X15FT](#) [E39-RS1-CA](#) [1900-48mm](#)  
[22-1/2X36YD](#) [88-SUPER-34X44FT](#) [890103N001](#) [2670](#) [96](#) [EVK-TA-TM047NBH01](#) [20-1"X60YDS](#) [2020-18mmx55m](#) [H150](#) [363](#) [3900-](#)  
[Blue](#) [3939-24mmx55m](#) [44-TAN-14"X90YD](#) [4504-34x18](#) [471-Trans-1"x36yd-Bulk](#) [5414 34X36](#) [35-Gray-1/2](#) [4008-12"X36YD](#) [4104-](#)  
[34"x18yd](#) [4116](#) [444-1"x36yd](#) [4466 1"](#) [4466W-1/2"x36yd](#) [4492B-12"x72yd](#) [4492B-1"x72yd](#) [4496W-12"x36yd](#) [4508-1"x36yd](#) [4516-3/8x36](#)  
[4726 1/2"X36YD](#) [054007-43154](#) [054007-43152](#) [06149](#) [11-32-2857](#) [5419 1/2"](#)