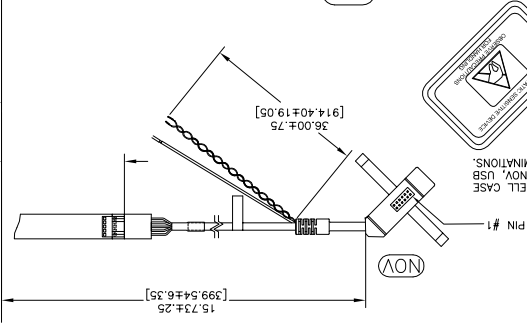


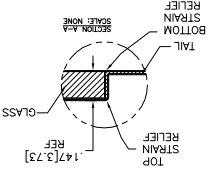
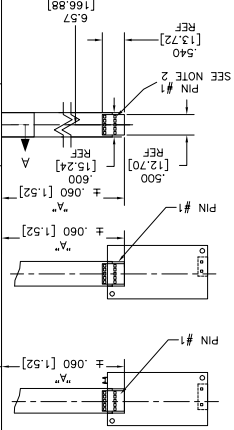
OGA DIAGONAL: 24.82  
 VA DIAGONAL: 23.83  
 PA DIAGONAL: 22.45  
 [570.18]

IS USED WITH ALL NOV, USB AND SER TERMINATIONS.



(SER)  
 EXII-7720SC  
 SERIAL CONTROLLER  
 98-0003-2217-6  
 SOLDER SIDE

(USB R)  
 EXII-7760UC  
 USB CONTROLLER  
 98-0003-2814-0  
 SOLDER SIDE



NOTES:

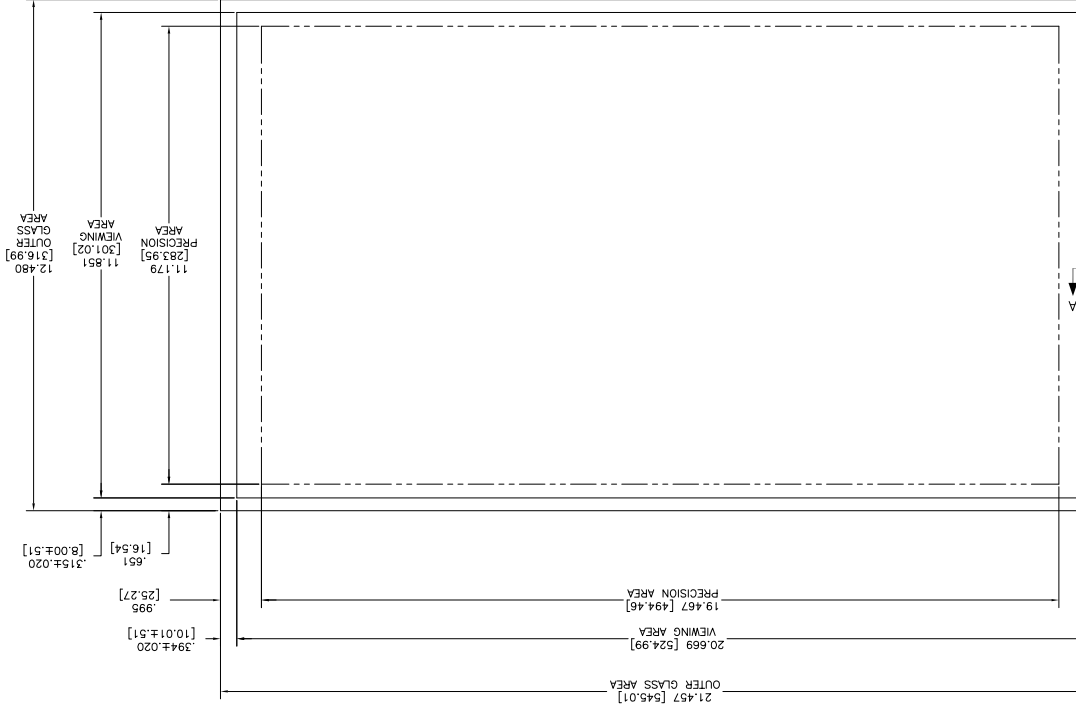
- WEIGHT OF GLASS IN GRAMS: 1248±10%
- NICOMATIC HOUSING P/N: 0105
- NICOMATIC RECEPTACLES (PINS) MATTE TIN PLATED P/N: 14106-12 HOUSING ORIENTED WITH LATCH DOWN

PINOUT	1	LR
	2	LL
	3	SHLD
	4	UL
	5	UR

UNITS [MM]  
 3M TOUCH SYSTEMS  
 METHEN, MA USA  
 © COPYRIGHT 2004  
 THIS DOCUMENT IS COPYRIGHTED PROPERTY OF THE 3M COMPANY AND MAY NOT BE REPRODUCED WITHOUT 3M WRITTEN PERMISSION OR USED OR DISCLOSED FOR OTHER THAN 3M AUTHORIZED PURPOSES.

THIRD ANGLE PROJECTION  
 DO NOT SCALE DRAWING  
 SCALE 1 = 1  
 DRAWN MTD 03/16/06  
 AUTOCAD 1 OF 1  
 31379-MKT

REV	DATE	CHANGE NOTICE
J	4/13 SB	REVISED PER CO 036256
H	2/12 SB	REVISED PER CO 033533
G	10/11 SB	REVISED PER CO 033636



TOP LEVEL NUMBER	US NUMBER	TYPE	DIM "A" (TOTAL GLASS TO CONNECTOR)	A/G FINISH	PROD SPEC
17-9051-205	98-0003-2687-0	FC	8.00" [203.20]	AG500	23655
17-9051-227	98-0003-2689-6	SER	8.00" [203.20]	AG500	23655
17-9051-206	98-0003-2688-8	NOV	SEE DWG	AG500	23655
17-9051-226	98-0003-3035-1	USB R	8.00" [203.20]	AG500	23655

A

B

C

D

A

B

C

D

## X-ON Electronics

Largest Supplier of Electrical and Electronic Components

*Click to view similar products for [Capacitive Touch Sensors](#) category:*

*Click to view products by [3M](#) manufacturer:*

Other Similar products are found below :

[CP8186AT](#) [LC717A10AJ-AH](#) [CP7709DT](#) [AT42QT1012-MAH](#) [FK 8-1](#) [SMBTASK3KIT6](#) [LC717A10AR-NH](#) [MCP2036T-I/MG](#) [CP3155T](#)  
[QT113BISG](#) [CAP1166-1-CZC-TR](#) [CM12-08EBP-KW1](#) [CR12CN04DPO-E2](#) [CR30SCF10ATO](#) [CR30SCF10DPO](#) [BCS M30BBI2-PSC15D-](#)  
[S04K](#) [CA30CAF16PAM1](#) [VC12RN230](#) [XT130B1FBL2](#) [FDC1004DGSR](#) [FDC1004DGST](#) [CR18SCF05DPO](#) [CR30CN15DPO-E2](#)  
[VC12RT23010M](#) [CDWM3020ZPM](#) [17-8421-226](#) [VC12RN924](#) [AT42QT1050-MMH](#) [AT42QT1050-MMHR](#) [AT42QT1110-AU](#)  
[AT42QT1244-AU](#) [AT42QT1244-AU](#) [AT42QT1481-AUR](#) [OTBA5L](#) [OTBVR81LQD](#) [PBCL22T](#) [SM31RDLBQD](#) [AT42QT1111-MU](#)  
[AT42QT1244-MU](#) [AT42QT2100-MUR](#) [AT42QT2120-MMHR](#) [VTBN6LQ](#) [MTCH6102-IMV](#) [CAP1128-1-BP-TR](#) [CA30CAF16PA](#)  
[STMPE16M31QTR](#) [STMPE16M31PXQTR](#) [STM8T143-EVAL](#) [XT230A1PAL2](#) [LC717A00AR-NH](#)