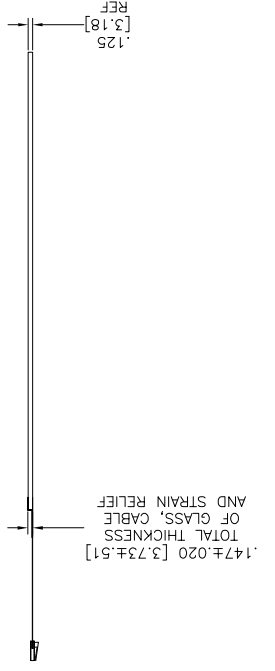
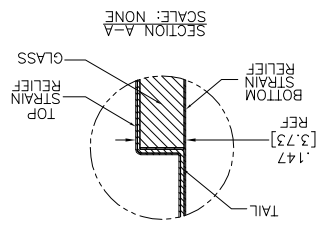
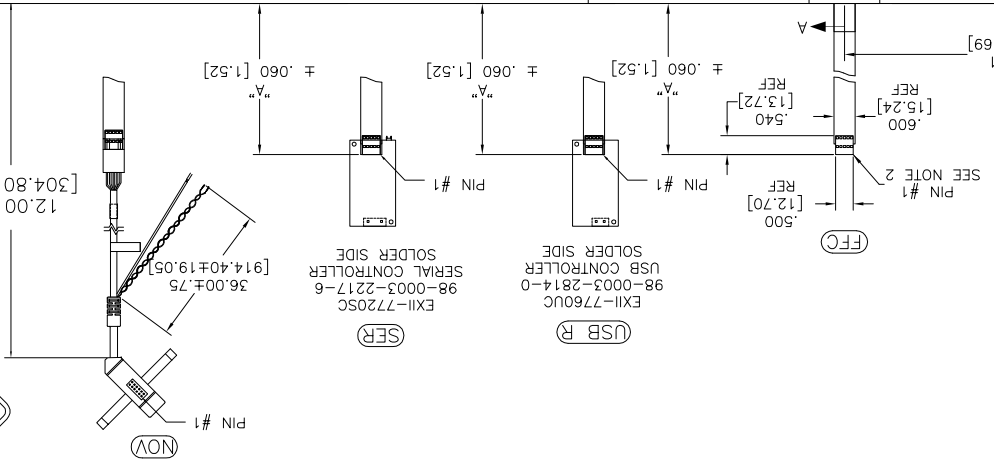
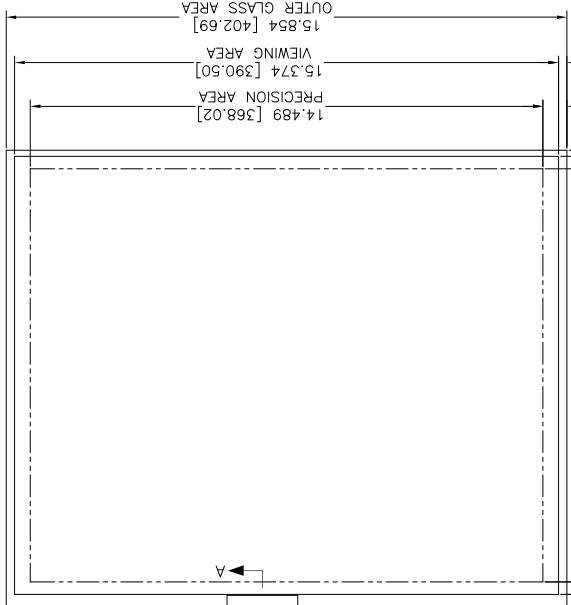
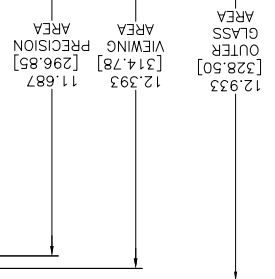


OGA DIAGONAL: 20.46 [519.68]
 VA DIAGONAL: 19.75 [501.58]
 PA DIAGONAL: 18.61 [472.82]

TOP LEVEL NUMBER	US NUMBER	TYPE	DM "A" (TOTAL GLASS TO CONNECTOR)	A/G FINISH	PROD SPEC
17-8511-203	98-0003-2609-4	FFC	4.27" [108.46]	AG500	23655
17-8511-221	98-0003-2613-6	SER	4.27" [108.46]	AG500	23655
17-8511-206	98-0003-2611-0	NOV	SEE DWG	AG500	23655
17-8511-218	98-0003-3156-5	USB R	4.27" [108.46]	AG500	23655
17-8511-218	98-0003-3156-5	USB R	4.27" [108.46]	AG500	23655
17-8511-205	98-0003-2610-2	FFC	8.00" [203.20]	AG500	23655
17-8511-226	98-0003-3157-3	USB R	8.00" [203.20]	AG500	23655
17-8511-227	98-0003-2615-1	SER	8.00" [203.20]	AG500	23655



TOTAL THICKNESS OF GLASS, CABLE AND STRAIN RELIEF
 1.17 ± 0.02 [3.73 ± .51]



NOTES:

- WEIGHT OF GLASS IN GRAMS: 1008 ± 10%
- NICOMATIC HOUSING P/N: OLO5
- NICOMATIC RECEPTACLES (PINS) MATTE TIN PLATED P/N: 14106-12
- HOUSING ORIENTED WITH LATCH DOWN

MARKETING DRAWING
 SCT32NN 19.75"

3M TOUCH SYSTEMS
 METHUEN, MA USA
 COPYRIGHT 2004

UNITS INCHES [MM]
 TOLERANCES UNLESS OTHERWISE SPECIFIED
 ANGLES ± 1°
 .XX ± .03 [.76]
 .XXX ± .015 [.38]
 THIS DOCUMENT IS COPYRIGHTED PROPERTY OF THE COMPANY AND MAY NOT BE REPRODUCED OR DISCLOSED FOR OTHER THAN 3M AUTHORIZED PURPOSES.

DO NOT SCALE DRAWING
 SCALE 1 = 1

REV H REVISIONS
 H REVISD PER CO 036256 4/13 SB
 G REVISD PER CO 033533 2/12 SB
 F REVISD PER CO 033457 9/11 SB

CHANGE NOTICE
 DATE DIM
 4/13 SB H REVISD PER CO 036256

DOC NO. 28382-MKT
 SHEET 1 OF 1
 AUTOCAD
 DRAWN K CROWLEY 9/05
 SIZE C

PINOUT

1	LL
2	UL
3	SHLD
4	UR
5	LR

X-ON Electronics

Largest Supplier of Electrical and Electronic Components

Click to view similar products for [Capacitive Touch Sensors](#) category:

Click to view products by [3M](#) manufacturer:

Other Similar products are found below :

[CP8186AT](#) [LC717A10AJ-AH](#) [CP7709DT](#) [AT42QT1012-MAH](#) [FK 8-1](#) [SMBTASK3KIT6](#) [LC717A10AR-NH](#) [MCP2036T-I/MG](#) [CP3155T](#)
[QT113BISG](#) [CAP1166-1-CZC-TR](#) [CM12-08EBP-KW1](#) [CR12CN04DPO-E2](#) [CR30SCF10ATO](#) [CR30SCF10DPO](#) [BCS M30BBI2-PSC15D-](#)
[S04K](#) [CA30CAF16PAM1](#) [VC12RN230](#) [XT130B1FBL2](#) [FDC1004DGSR](#) [FDC1004DGST](#) [CR18SCF05DPO](#) [CR30CN15DPO-E2](#)
[VC12RT23010M](#) [CDWM3020ZPM](#) [17-8421-226](#) [VC12RN924](#) [AT42QT1050-MMH](#) [AT42QT1050-MMHR](#) [AT42QT1110-AU](#)
[AT42QT1244-AU](#) [AT42QT1244-AU](#) [AT42QT1481-AUR](#) [OTBA5L](#) [OTBVR81LQD](#) [PBCL22T](#) [SM31RDLBQD](#) [AT42QT1111-MU](#)
[AT42QT1244-MU](#) [AT42QT2100-MUR](#) [AT42QT2120-MMHR](#) [VTBN6LQ](#) [MTCH6102-IMV](#) [CAP1128-1-BP-TR](#) [CA30CAF16PA](#)
[STMPE16M31QTR](#) [STMPE16M31PXQTR](#) [STM8T143-EVAL](#) [XT230A1PAL2](#) [LC717A00AR-NH](#)