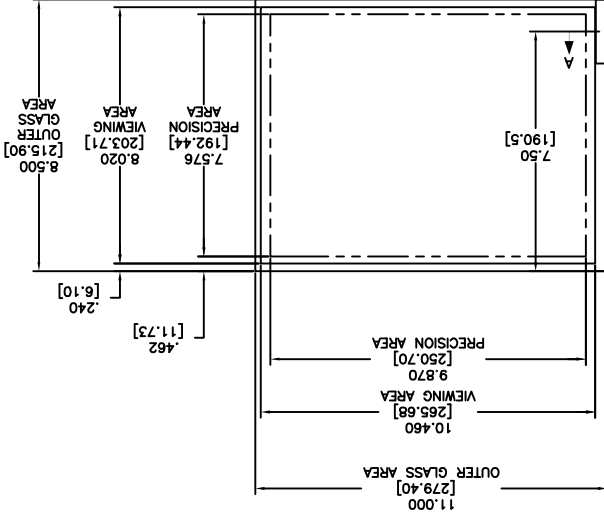
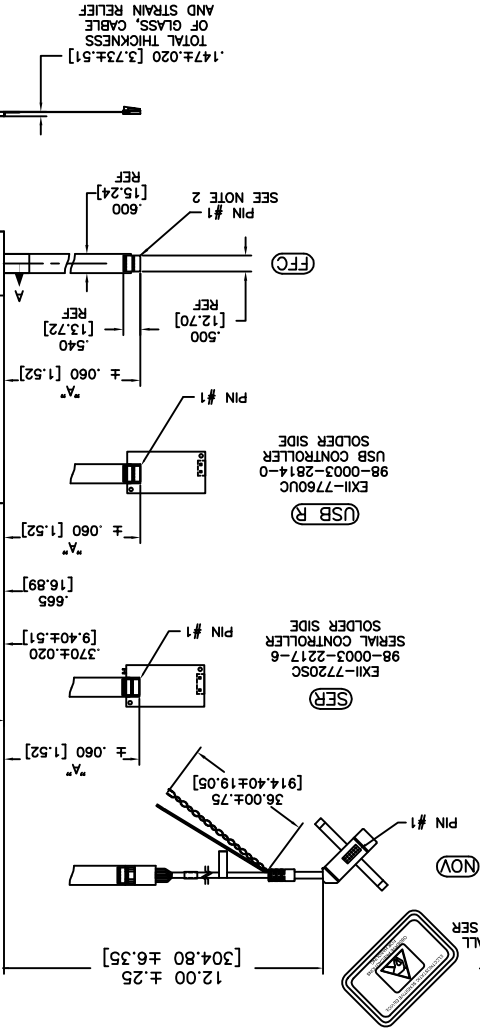


OGA DIAGONAL: 13.90 [353.10]
 VA DIAGONAL: 13.18 [334.79]
 PA DIAGONAL: 12.44 [316.04]

ESD CLAMSHELL
 IS USED WITH ALL
 NOV, USB AND SER
 TERMINATIONS.



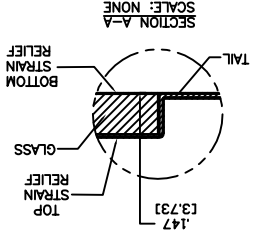
5	UR
4	UL
3	SHIELD
2	LL
1	LR
	PINOUT

UNITS INCHES [MM]
 3M TOUCH SYSTEMS
 METHUEN, MA USA
 © COPYRIGHT 2005
 THIS DOCUMENT IS COPYRIGHTED PROPERTY OF THE
 COMPANY AND MAY NOT BE REPRODUCED
 WITHOUT 3M WRITTEN PERMISSION OR USED FOR
 PURPOSES OTHER THAN 3M AUTHORIZED

DO NOT SCALE DRAWING
 DRAWN K. CROWLEY 9/05
 1 = 1

REV	CHANGE NOTICE	DATE	DMV
F	REVISED PER CO 033533	9/11	SB
05	REVISED PER CO 030452	5/09	SEB
04	REVISED PER CO 030072	3/09	MTD

MARKETING DRAWING
 SCT32NN 13.18"



TOP LEVEL NUMBER	US NUMBER	TYPE	DMV "A" (TOTAL GLASS TO CONNECTOR)	A/G FINISH	PROD SPEC
17-8041-203	98-0003-2526-0	FCC	4.27" [108.46]	A6500	23655
17-8041-205	98-0003-3229-0	FCC	8.00" [203.20]	A6500	23655
17-8041-206	98-0003-2527-8	NOV	SEE DWG	A6500	23655
17-8041-221	98-0003-2530-2	SER	4.27" [108.46]	A6500	23655
17-8041-223	98-0003-2531-0	SER	6.00" [152.40]	A6500	23655
17-8041-226	98-0003-3230-8	USB R	8.00" [203.20]	A6500	23655
17-8041-227	98-0003-3231-6	SER	8.00" [203.20]	A6500	23655

- NOTES:
 1. WEIGHT OF GLASS IN GRAMS: 460±10%
 2. NICOMATIC HOUSING P/N: 0105
 NICOMATIC RECEPTACLES (PINS) MATTE TIN PLATED P/N: 14106-12
 HOUSING ORIENTED WITH LATCH DOWN

28265-MKT
 1 OF 1
 AUTOCAD
 1 OF 1

X-ON Electronics

Largest Supplier of Electrical and Electronic Components

Click to view similar products for [Capacitive Touch Sensors](#) category:

Click to view products by [3M](#) manufacturer:

Other Similar products are found below :

[CP8186AT](#) [LC717A10AJ-AH](#) [CP7709DT](#) [AT42QT1012-MAH](#) [FK 8-1](#) [SMBTASK3KIT6](#) [LC717A10AR-NH](#) [MCP2036T-I/MG](#) [CP3155T](#)
[QT113BISG](#) [CAP1166-1-CZC-TR](#) [CM12-08EBP-KW1](#) [CR12CN04DPO-E2](#) [CR30SCF10ATO](#) [CR30SCF10DPO](#) [BCS M30BBI2-PSC15D-](#)
[S04K](#) [CA30CAF16PAM1](#) [VC12RN230](#) [XT130B1FBL2](#) [FDC1004DGSR](#) [FDC1004DGST](#) [CR18SCF05DPO](#) [CR30CN15DPO-E2](#)
[VC12RT23010M](#) [CDWM3020ZPM](#) [17-8421-226](#) [VC12RN924](#) [AT42QT1050-MMH](#) [AT42QT1050-MMHR](#) [AT42QT1110-AU](#)
[AT42QT1244-AU](#) [AT42QT1244-AU](#) [AT42QT1481-AUR](#) [OTBA5L](#) [OTBVR81LQD](#) [PBCL22T](#) [SM31RDLBQD](#) [AT42QT1111-MU](#)
[AT42QT1244-MU](#) [AT42QT2100-MUR](#) [AT42QT2120-MMHR](#) [VTBN6LQ](#) [MTCH6102-IMV](#) [CAP1128-1-BP-TR](#) [CA30CAF16PA](#)
[STMPE16M31QTR](#) [STMPE16M31PXQTR](#) [STM8T143-EVAL](#) [XT230A1PAL2](#) [LC717A00AR-NH](#)