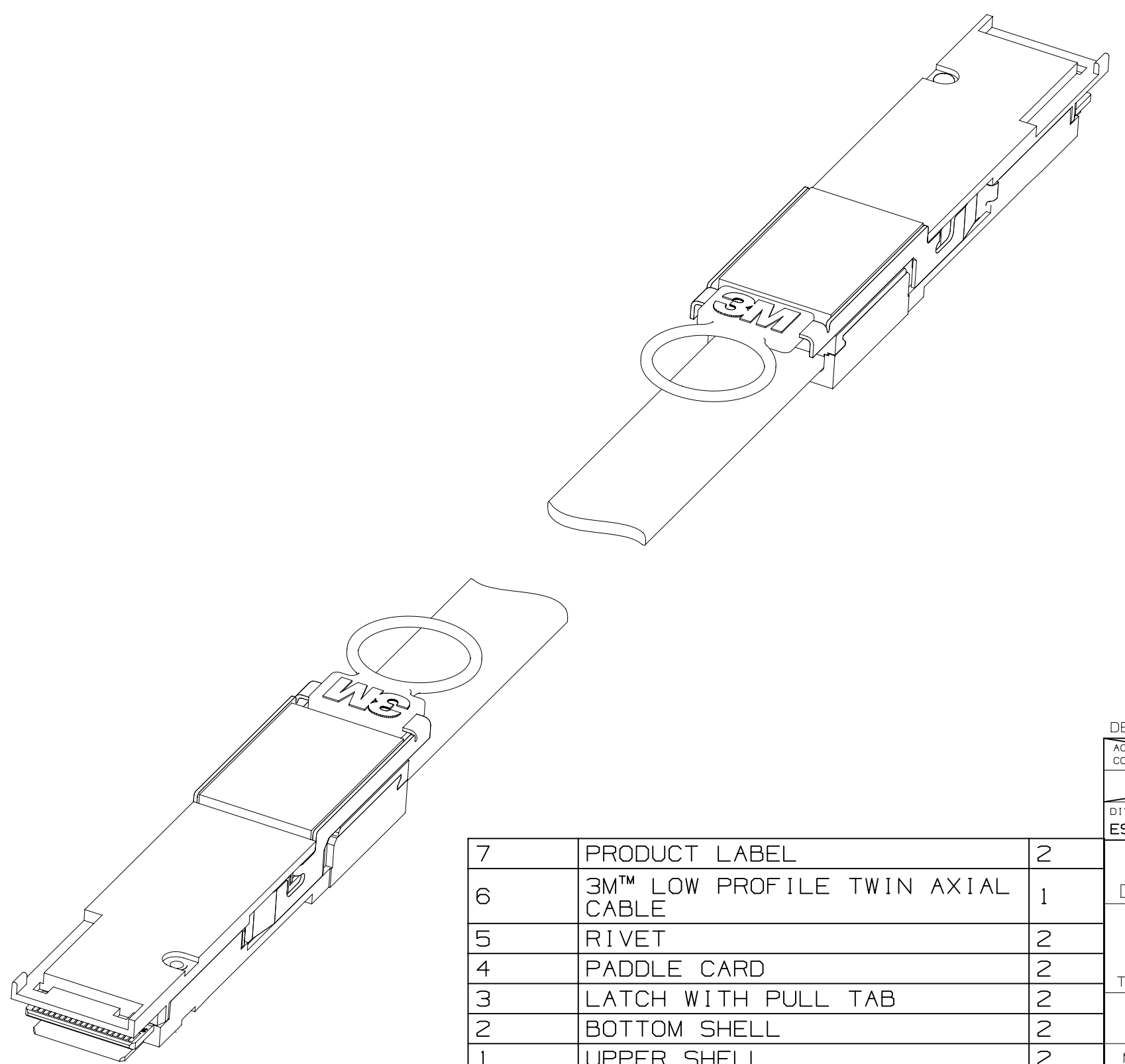
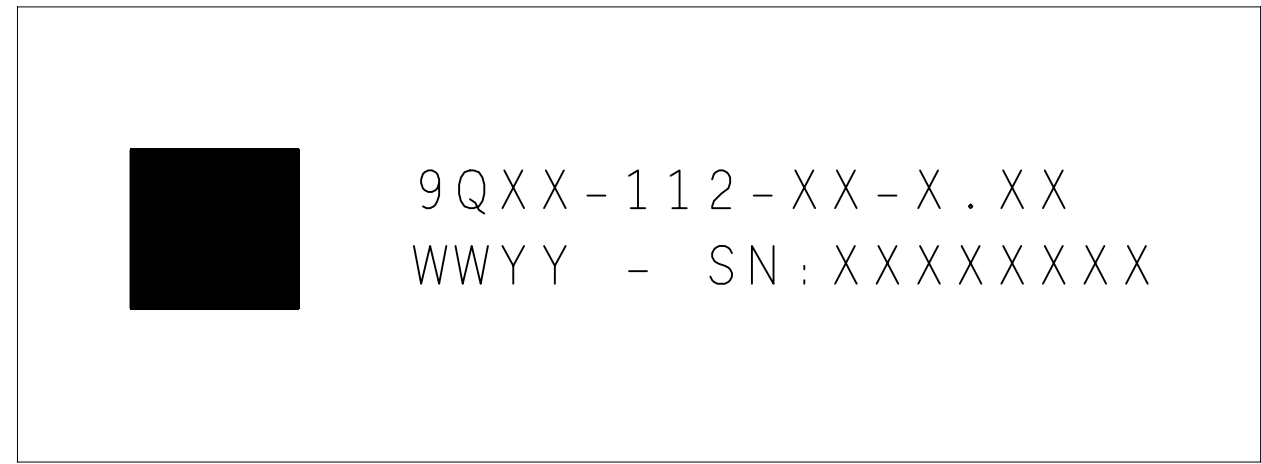
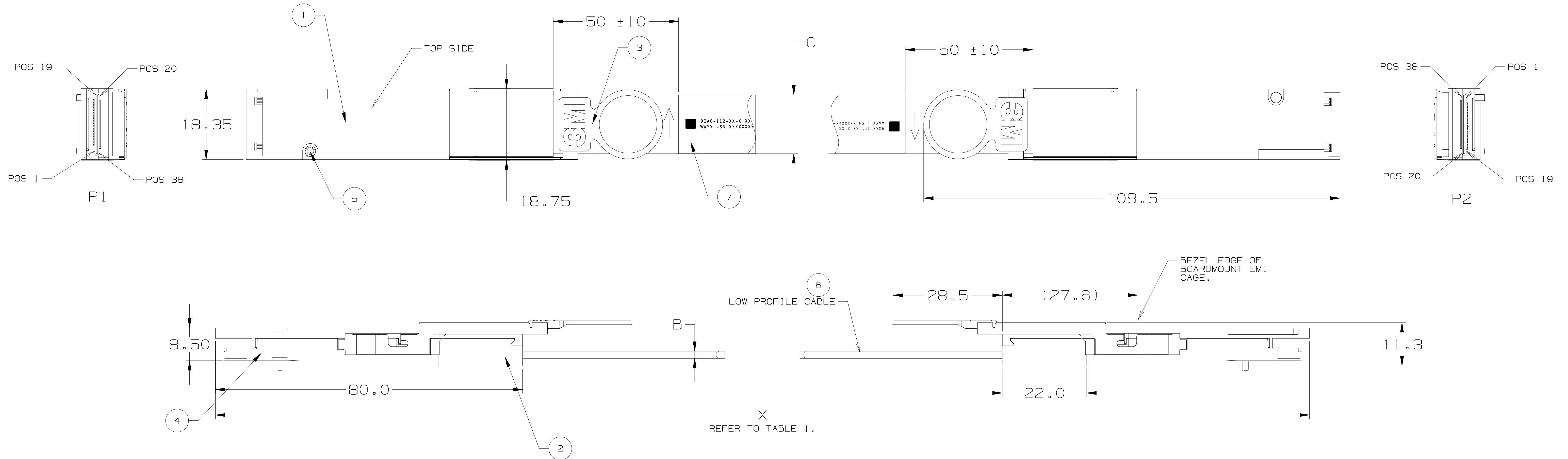


3M™ CABLE ASSEMBLIES FOR QSFP+ APPLICATIONS
 VISIT <http://www.3Mconnectors.com>



BALLOON ITEM	DESCRIPTION	QTY
7	PRODUCT LABEL	2
6	3M™ LOW PROFILE TWIN AXIAL CABLE	1
5	RIVET	2
4	PADDLE CARD	2
3	LATCH WITH PULL TAB	2
2	BOTTOM SHELL	2
1	UPPER SHELL	2

DESIGN REFERENCE	NEXT ASSEMBLY
DO NOT SCALE DRAWING	SCALE 2/1
THIRD ANGLE PROJECTION	TOLERANCES EXCEPT AS NOTED
INTERPRET PER ASME Y14.5 - 2009	MILLIMETERS
MAX SURFACE ROUGHNESS 125	0 ± .2
ALL SURFACES	.00 ± .10
MARKED ONLY	.000 ±
	ANGLES ±0.5°

REV	ECO	ISSUE DATE AND DESCRIPTION	DRFT	CHKD
B 0068166		JUN 14, 2016 PG 2 OF 2: REMOVE UNWANTED WORDINGS	RL	YL
A 0052352		JAN 22, 2014 New Release.	RL	RL
DRFT	ECO	ISSUE DATE AND DESCRIPTION	DRFT	CHKD
R LIM		JAN 22, 2014 E CHEN		JAN 22, 2014
DRKD		JAN 22, 2014 S BANDHU		JAN 22, 2014

© 3M COPYR[IGHT] 2016
 3M Center St. Paul, MN 55144
 This document and the information it contains are 3M property and may not be reproduced or further distributed without 3M permission, or used or disclosed other than for 3M authorized purposes. All rights reserved.

TITLE: 3M™ DIRECT ATTACH COPPER ASSY SALES DWG

CAGE NUMBER: D78-5100-2640-0

REV. B

MODEL: SHT 1 OF 2

78-5100-2640-0
 DRAWING NUMBER
 06-28-2016 10:423 78-5100-2640-0.ppt

NOTES:

1. ORDERING INFORMATION:

9QXX-112-XX-X.XX

ASSEMBLY LENGTH X IN METERS SEE TABLE 1

EEPROM MEMORY MAP

13= FDR (14Gbps)

XX= CUSTOMIZATION(SEE 3M SALES REP)

AWG

0= 30 AWG

CABLE TYPE

A= 30AWG(PVC)

2. REFER TO TABLE 1 FOR CABLE LENGTH, WIDTH, THICKNESS AND WIRE AWG

3. MODULE PCB PINOUT DESIGNED TO SFF8436 SPECIFICATION

4. DESIGNED TO SFF 8436 SPECIFICATION

5. JACKET: BLACK PVC .015" NOMINAL THICKNESS

6. CABLE UL TEMPERATURE RATING -20C TO +80C

7. FOLDING BEND RADIUS 2.5mm

8. ROHS COMPLIANT.SEE REGULATORY INFORMATION APPENDIX IN "ROHS COMPLIANT" SECTION AT WWW.3Mconnectors.com(E1 & C1 apply)

9. UNLESS OTHERWISE NOTED,REFERENCES TO INDUSTRY SPECIFICATIONS ARE INTENDED TO INDICATE SUBSTANTIAL COMPLIANCE TO THE MATERIAL ELEMENTS OF THE SPECIFICATION. SUCH REFERENCES SHOULD NOT BE CONTRUED AS A GUARANTEE OF COMPLIANCE TO ALL REQUIREMENTS IN A GIVEN SPECIFICATION.

10. STANDARD PRODUCT SPECIFICATION: 78-5102-0198-7

11. FOR CUSTOM LENGTHS CONTACT A 3M SALES REPRESENTATIVE

TABLE 1

ORDERING INFORMATION	ASSY LENGTH=X (m)	TOLERANCE (mm)	B NOMINAL (mm)	C NOMINAL (mm)
9QA0-112-13-0.50	0.50	+10/-0	1.95	15.5
9QA0-112-13-1.00	1.00	+50/-0		
9QA0-112-13-1.50	1.50			
9QA0-112-13-2.00	2.00			
9QA0-112-13-2.50	2.50			
9QA0-112-13-x.xx	x.xx			

WIRING LIST

P1 END		P2 END	
POS	SIGNAL	POS	SIGNAL
1	GND (TX)	20	GND (RX)
2	TX2n	21	RX2n
3	TX2P	22	RX2p
4	GND (TX)	23	GND (RX)
5	TX4n	24	RX4n
6	TX4P	25	RX4p
7	GND (TX)	26	GND (RX)
13	GND (RX)	32	GND (TX)
14	RX3p	33	TX3p
15	RX3n	34	TX3n
16	GND (RX)	35	GND (TX)
17	RX1p	36	TX1p
18	RX1n	37	TX1n
19	GND (RX)	38	GND (TX)
20	GND (RX)	1	GND (TX)
21	RX2n	2	TX2n
22	RX2p	3	TX2P
23	GND (RX)	4	GND (TX)
24	RX4n	5	TX4n
25	RX4p	6	TX4P
26	GND (RX)	7	GND (TX)
32	GND (TX)	13	GND (RX)
33	TX3p	14	RX3p
34	TX3n	15	RX3n
35	GND (TX)	16	GND (RX)
36	TX1p	17	RX1p
37	TX1n	18	RX1n
38	GND (TX)	19	GND (RX)

LOW SPEED SIGNALS

P1 & P2	
POS	SIGNAL
8	ModSelL
9	ResetL
10	VccRx
11	SCL
12	SDA
27	ModPrsL
28	IntL
29	VccTx
30	VccI
31	LPMode

DESIGN REFERENCE	NEXT ASSEMBLY	REV	ECO	ISSUE DATE AND DESCRIPTION	DRFT	CHKD
DIVISION CODES R LIM DIVISION CODE R LIM		DATE	DATE	DATE	DATE	DATE
		JAN 22,2014	JAN 22,2014	JAN 22,2014	JAN 22,2014	JAN 22,2014
DIVISION ESD		DATE	DATE	DATE	DATE	DATE
		JAN 22,2014	JAN 22,2014	JAN 22,2014	JAN 22,2014	JAN 22,2014
DO NOT SCALE DRAWING	SCALE 2/1	TOLERANCES EXCEPT AS NOTED INCHES .00 ± .000 ± .0000 ±		3M Center St. Paul, MN 55144 © 3M COPYRIGT 2016 This document and the information it contains are 3M property and may not be reproduced or further distributed without 3M permission, or used or disclosed other than for 3M authorized purposes. All rights reserved.		
THIRD ANGLE PROJECTION	INTERPRET PER ASME Y14.5 - 2009	MILLIMETERS 0 ± .0 ±.2 .00 ±.10 .000 ±		TITLE 3M™ DIRECT ATTACH COPPER QSFP+ FDR CABLE ASSY SALES DWG		
MAX SURFACE ROUGHNESS 125	ALL SURFACES MARKED ONLY	CAGE NUMBER	SIZE	DRAWING NO.	REV.	
		D		78-5100-2640-0	B	
		MODEL				

78-5100-2640-0 06-28-2016 10:23 78-5100-2640-0.ppt

X-ON Electronics

Largest Supplier of Electrical and Electronic Components

Click to view similar products for [3m manufacturer](#):

Other Similar products are found below :

[SC401U](#) [98-0003-3071-6](#) [80-0012-6467-2](#) [00-054007-70220-7](#) [00-054007-34717-0](#) [5952-3/4"x15yds](#) [021200-40230](#) [6840-2X50-GRAY](#)
[6A11-A0121-007.0-0](#) [701-W](#) [7993MP-2CIRCLE-100](#) [FDV14-187C](#) [8124/14](#) [8124/20-100](#) [812510-100](#) [8125/17](#) [813216](#) [8204-3LFM](#) [8425-](#)
[8](#) [MNG14BCX](#) [FP301-1/8-6"-Black](#) [FP-301 18 BLACK 500](#) [FV14-6C](#) [920102-01-25-R](#) [927739-40](#) [929835-01-28-RK](#) [929974-01-40-R](#)
[951240-2520-AR-PR](#) [960X/980X](#) [98-0003-3075-7](#) [HF365/16SF](#) [HF36564-100](#) [HF625/26-30](#) [1/2-5-4492W](#) [1/2-5-4951](#) [1/2-5-5430](#) [1/2-5-](#)
[850S](#) [1/2-5-3431](#) [12X12-6-4056B](#) [12X12-6-433](#) [12X12-6-4930](#) [13-500-NB](#) [14526-EZ5B-300-02C](#) [1-4-4658F](#) [14520-EZAB-300-0EC](#)
[DSTK9013-3420](#) [DSTK9015-3402](#) [14T26-SZLB-200-0LC](#) [14T50-SZWB-100-0NC](#) [1-5-3437](#)