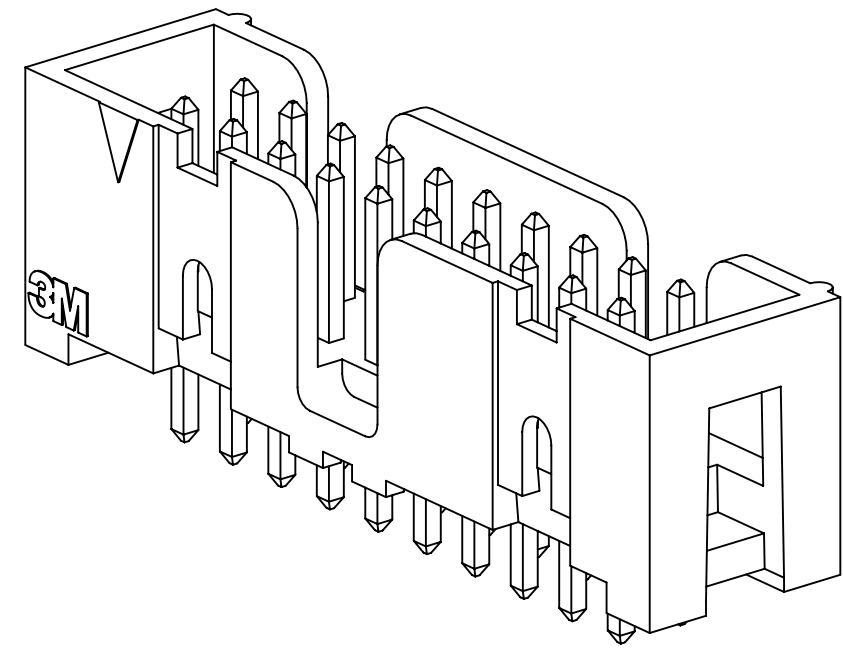


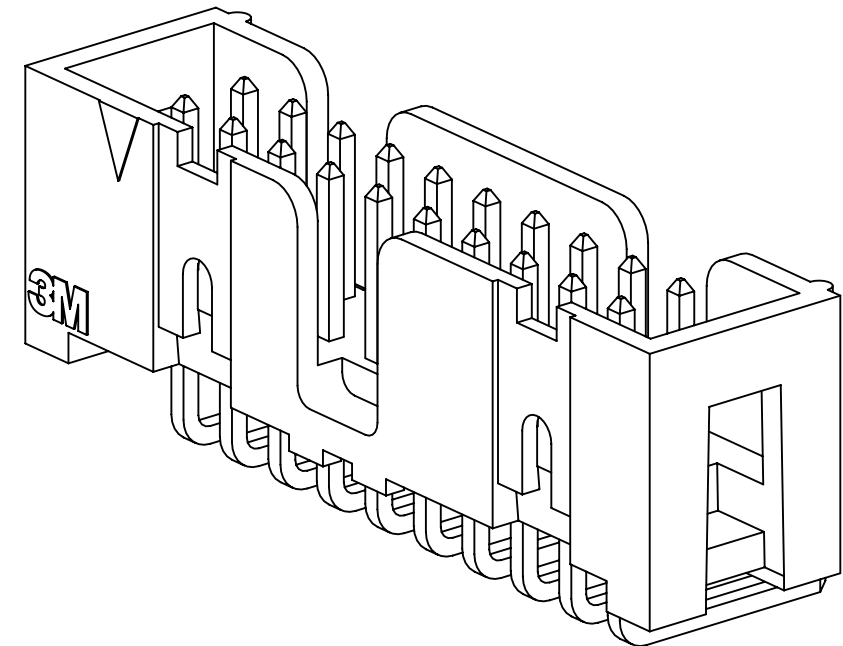
3M™ FOUR-WALL HEADER, D2500 SERIES  
 .100" X .100" LOW PROFILE, SURFACE MOUNT, STRAIGHT AND RIGHT ANGLE THROUGH-HOLE

- \* LOW PROFILE, SPACE SAVING DESIGN.
- \* CENTER SLOT POLARIZATION PREVENTS MIS-INSERTIONS AND REDUCES INSERTION TIME.
- \* DUAL SLOT POLARIZATION MEANS BROADER COMPATIBILITY WITH COMPETITIVE POLARIZATION DESIGNS (NOT AVAILABLE ON 6, 8 OR 10 POSITIONS).
- \* OPTIONAL RETAINER CLIP FOR LOCKING SOCKETS IN PLACE AND INCREASING CONNECTION RELIABILITY IN VIBRATION-PRONE ENVIRONMENTS.
- \* HIGH TEMPERATURE INSULATOR SUITABLE FOR "NO LEAD" SOLDERING OPERATIONS.
- \* THROUGH HOLE VERSION SUITABLE FOR REFLOW SOLDERING USING "PASTE IN HOLE" TECHNIQUES.
- \* EXPOSED SOLDER TAILS (ON RIGHT ANGLE VERSION) PROVIDE EASE OF CLEANING AND REDUCED REPAIR COST.
- \* STRAIGHT SURFACE MOUNT VERSION AVAILABLE.

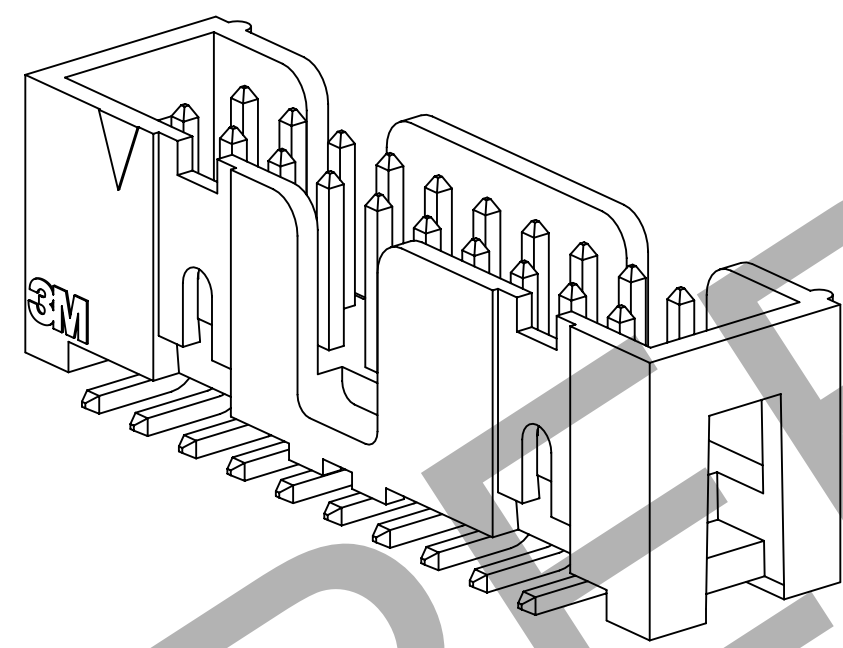
- NOTES
- REGULATORY INFORMATION: ROHS COMPLIANT. SEE THE REGULATORY INFORMATION APPENDIX (RIA) IN THE "ROHS COMPLIANCE" SECTION OF WWW.3MCONNECTORS.COM FOR COMPLIANCE INFORMATION.
  - IN THE EVENT OF CONFLICT BETWEEN THIS DATA AND THAT CONTAINED IN THE PRODUCT SPECIFICATION, THE PRODUCT SPECIFICATION TAKES PRECEDENT.
  - NOTCHES A & C WILL ACCOMMODATE 3M POLARIZING KEY: N3518.
  - CONTACT TAILS .0245 (.622) WIRE WITH .0075 (.191) CORNER RADIUS AND .028 (.072) DIAGONAL.
  - SOLDER STANDOFFS FACILITATE .01 (.3) CLEARANCE ABOVE BOARD FOR REFLOW SOLDERING.



D25XX-6002  
 STRAIGHT VERSION



D25XX-5002  
 RIGHT ANGLE VERSION



D25XX-6VOC  
 SURFACE MOUNT VERSION

2 PHYSICAL :

INSULATOR: HIGH TEMP GLASS FILLED POLYESTER (PCT)  
 MATERIAL: UL94V-0  
 FLAMMABILITY: UL94V-0  
 COLOR: BLACK  
 CONTACT: MATERIAL: BRASS  
 PLATING: UNDER PLATING: 50-100µ" [1.27-2.54µm] NICKEL-OVERALL  
 WIPING AREA: 10µ" [25µm] GOLD  
 SOLDER TAILS: 40-120µ" [1-3µm] MATTE TIN  
 MARKINGS: 3M LOGO, PART IDENTIFICATION NUMBER AND ORIENTATION TRIANGLE

2 ELECTRICAL :

CURRENT RATING: 5.00A, 1 CONTACT POWERED  
 3.00A, 6 CONTACTS POWERED  
 1.75A, ALL CONTACTS POWERED  
 RATING CONDITIONS: EIA-364-070 METHOD 2, 30°C MAXIMUM TEMPERATURE RISE, 20% DERATED. REFERENCE APPROPRIATE 3M PRODUCT SPECIFICATION FOR DETAILED CURRENT DERATING CURVES.

INSULATION RESISTANCE: >1 X 10<sup>9</sup>Ω AT 500 V<sub>DC</sub>  
 WITHSTANDING VOLTAGE: 1,000V<sub>RMS</sub> AT SEA LEVEL

2 ENVIRONMENTAL :

TEMPERATURE RATING: -55°C TO 105°C  
 PROCESS RATING: 260°C, PER J-STD-020C, SINGLE PASS  
 MOISTURE SENSITIVITY LEVEL: 1 (PER J-STD-020C)

DIMENSIONS: INCHES [ MM ]  
 [ MM ] IS REF. ONLY

DESIGN REFERENCE	NEXT ASSEMBLY	REV	ECO	ISSUE DATE AND DESCRIPTION	DRFT	CHKD
DIVISION		DIVISION CODE		DATE		
Interconnect Solutions		EMSD		AUG 05, 2016		
DO NOT SCALE DRAWING	SCALE 4-1	TOLERANCES EXCEPT AS NOTED		DATE		
THIRD ANGLE PROJECTION		INCHES		DATE		
INTERPRET PER ASME Y14.5 - 2009		MILLIMETERS		DATE		
MAX SURFACE ROUGHNESS		INCHES		DATE		
ALL SURFACES		MILLIMETERS		DATE		
MARKED ONLY		ANGLES		DATE		

3M ELECTRONIC MATERIALS SOLUTIONS DIVISION  
 INTERCONNECT SOLUTIONS  
<http://www.3mconnectors.com>

3M IS A TRADEMARK OF 3M COMPANY.  
 FOR TECHNICAL, SALES OR ORDERING  
 INFORMATION CALL 800-225-5373

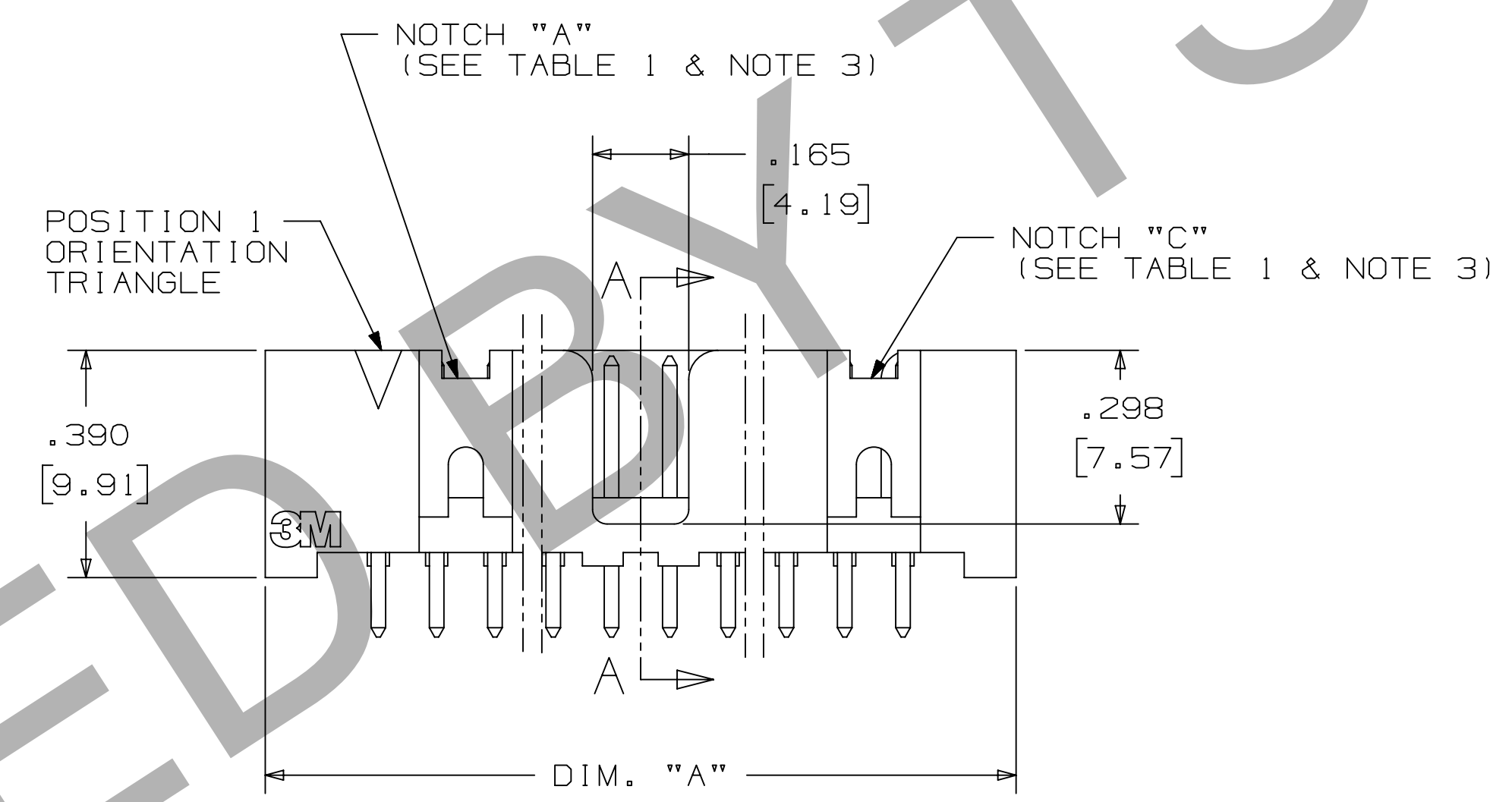
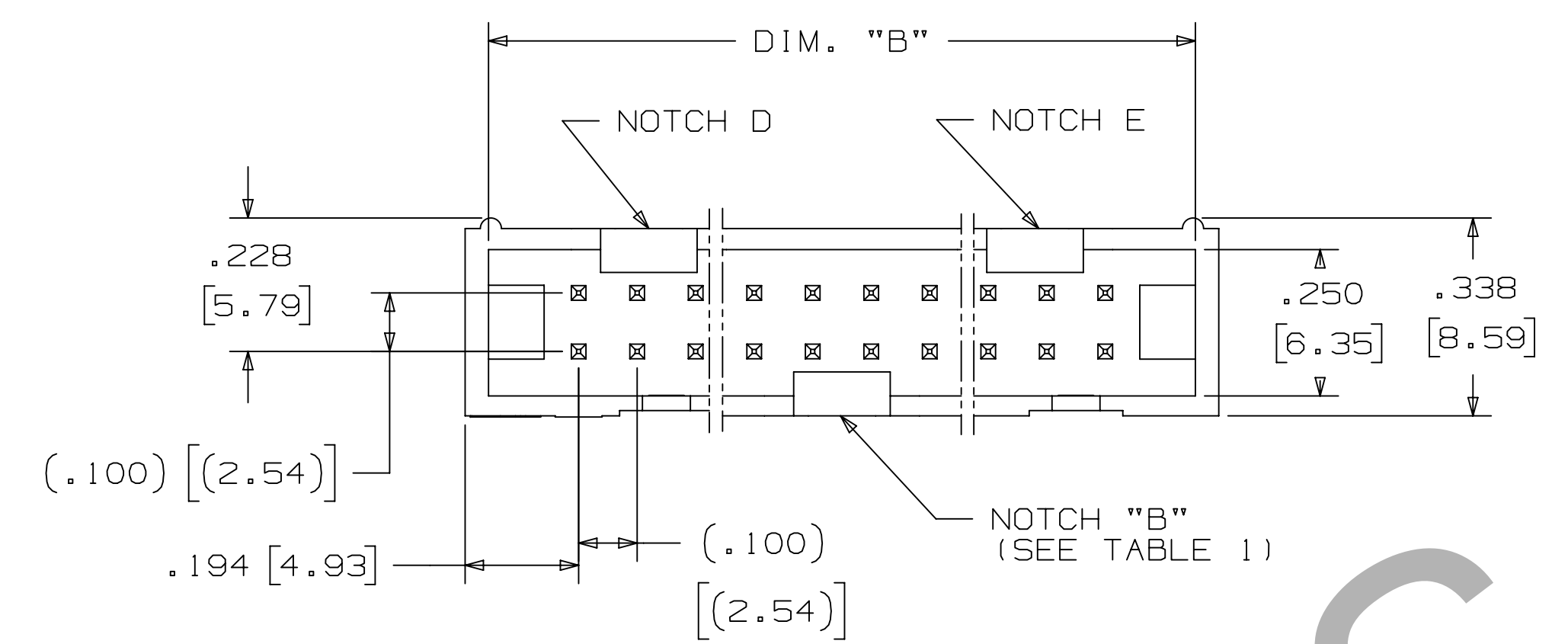
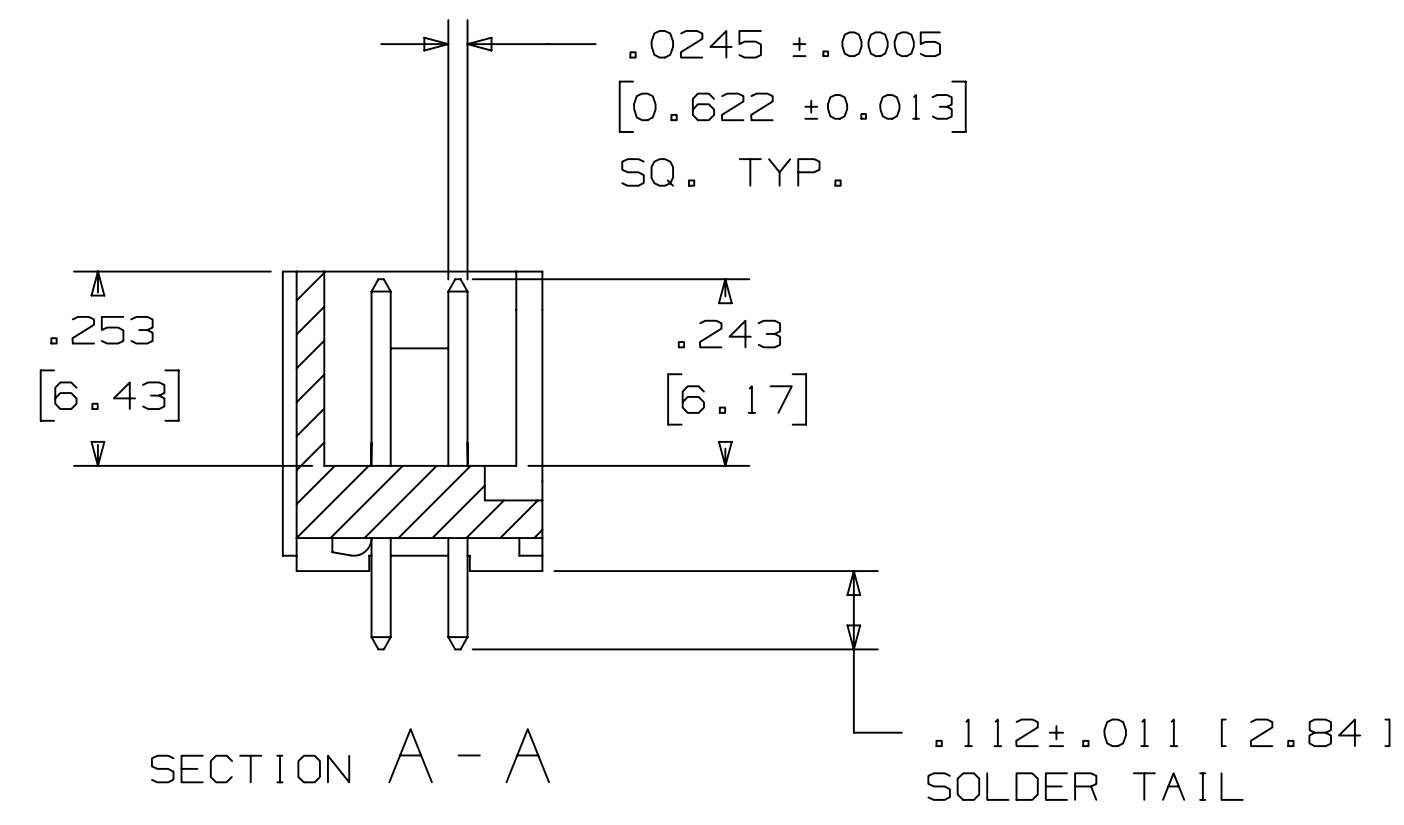
**3M** logo  
 UL FILE NO: E68080

3M logo  
 © 3M COPYRIGHT 2016  
 This document and the information it contains are 3M property and may not be reproduced or further distributed without 3M permission, or used or disclosed other than for 3M authorized purposes. All rights reserved.

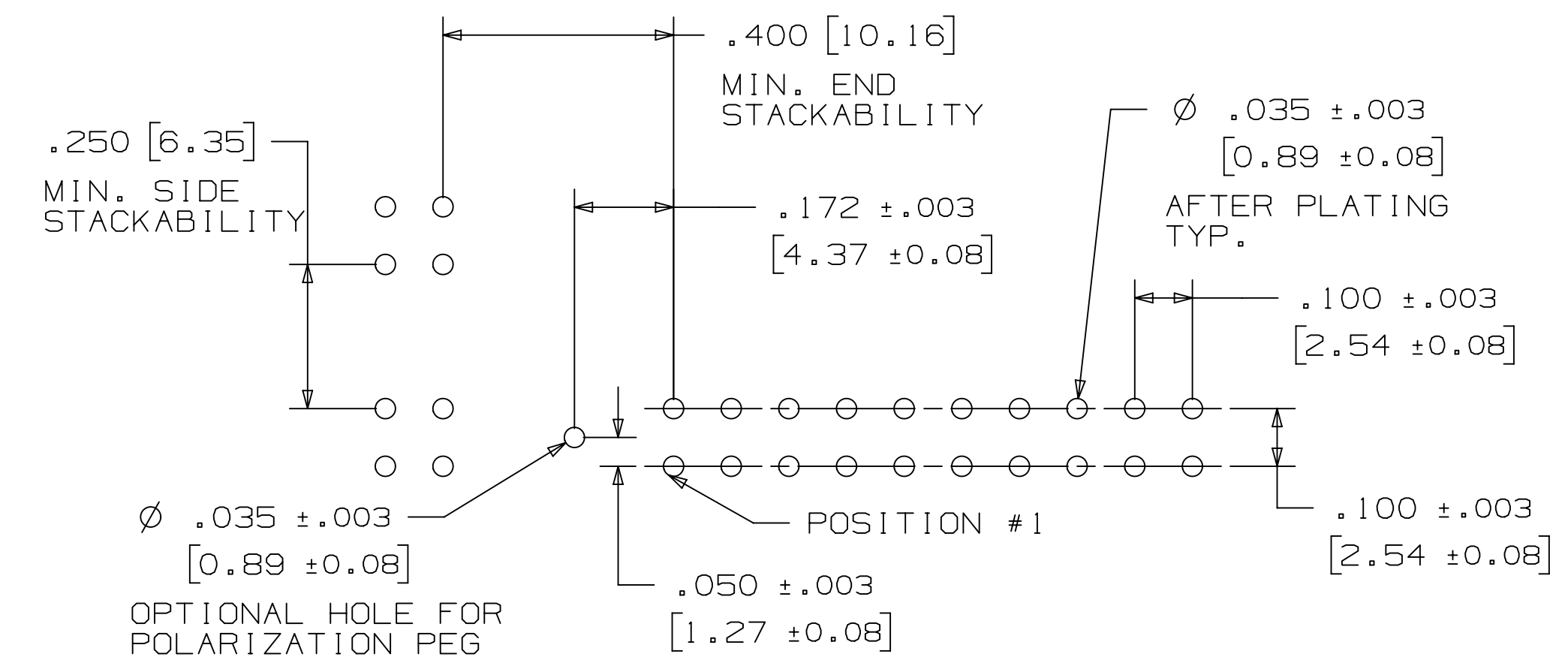
TITLE: HEADER, 4-WALL, LO-PRO, .100 X .100, SMT, STRAIGHT & RA

CAGE NUMBER: D78-5100-2244-1  
 MODEL: D2500 SERIES  
 REV: H  
 SHT 1 OF 5

3M™ FOUR-WALL HEADER, D2500 SERIES  
 .100" X .100" LOW PROFILE, SURFACE MOUNT, STRAIGHT AND RIGHT ANGLE THROUGH-HOLE



PIN QTY.	DIM. "A"	DIM. "B"	POLARIZING NOTCHES	PIN QTY.
06	.588 [14.94]	.508 [12.90]	B	06
08	.688 [17.48]	.608 [15.44]	B	08
10	.788 [20.02]	.708 [17.98]	BC	10
14	.988 [25.10]	.908 [23.06]	BCDE	14
16	1.088 [27.64]	1.008 [25.60]	ABCDE	16
20	1.288 [32.72]	1.208 [30.68]	ABCDE	20
24	1.488 [37.80]	1.408 [35.76]	ABCDE	24
26	1.588 [40.34]	1.508 [38.30]	ABCDE	26
30	1.788 [45.42]	1.708 [43.38]	ABCDE	30
34	1.988 [50.50]	1.908 [48.46]	ABCDE	34
36	2.088 [53.04]	2.008 [51.00]	ABCDE	36
40	2.288 [58.12]	2.208 [56.08]	ABCDE	40
50	2.788 [70.82]	2.708 [68.78]	ABCDE	50
60	3.288 [83.52]	3.208 [81.48]	ABCDE	60
64	3.488 [88.60]	3.408 [86.56]	ABCDE	64



ORDERING INFORMATION  
 STRAIGHT VERSION

D25XX-6002-AR

PIN QUANTITY:  
 (SEE TABLE 1)

SOLDER TAIL:  
 FOR .062 [1.57] THICK BOARD

PLATING:  
 AR = 10µ" [0.25µm] GOLD  
 (RIA, E1 & C1 APPLY)

RECOMMENDED HOLE PATTERN  
 SHOWN FROM COMPONENT SIDE

DESIGN REFERENCE	NEXT ASSEMBLY	H 68908	AUG 05, 2016	JNC	SC
REV	ECO	ISSUE DATE AND DESCRIPTION	DRFT	CHKD	DATE
DRFT	CASTIGLIONE	DATE	MFG	DATE	
CHKD		DATE	APPV	DATE	
			S. CLATANOFF	AUG 05, 2016	
DIVISION	Interconnect Solutions	DIVISION CODE	EMSD	© 3M COPYRIGHT 2016	
DO NOT SCALE DRAWING	SCALE 4/1	TOLERANCES EXCEPT AS NOTED		This document and the information it contains are 3M property and may not be reproduced or further distributed without 3M permission, or used or disclosed other than for 3M authorized purposes. All rights reserved.	
THIRD ANGLE PROJECTION		INCHES		TITLE	
INTERPRET PER ASME Y14.5 - 2009		.00 ± .01		HEADER, 4-WALL, LO-PRO, .100 X .100, SMT, STRAIGHT & RA	
MAX SURFACE ROUGHNESS		.000 ± .005		CAGE NUMBER	
MARKED ONLY		.0000 ±		D78-5100-2244-1 H	
		MILLIMETERS		MODEL	
		0 ±		D2500 SERIES	
		.0 ± .3		DET	
		.00 ± .13		I15ts	
		.000 ±		YES NO SHT 2 OF 5	

3M™ FOUR-WALL HEADER, D2500 SERIES  
 .100" X .100" LOW PROFILE, SURFACE MOUNT, STRAIGHT AND RIGHT ANGLE THROUGH-HOLE

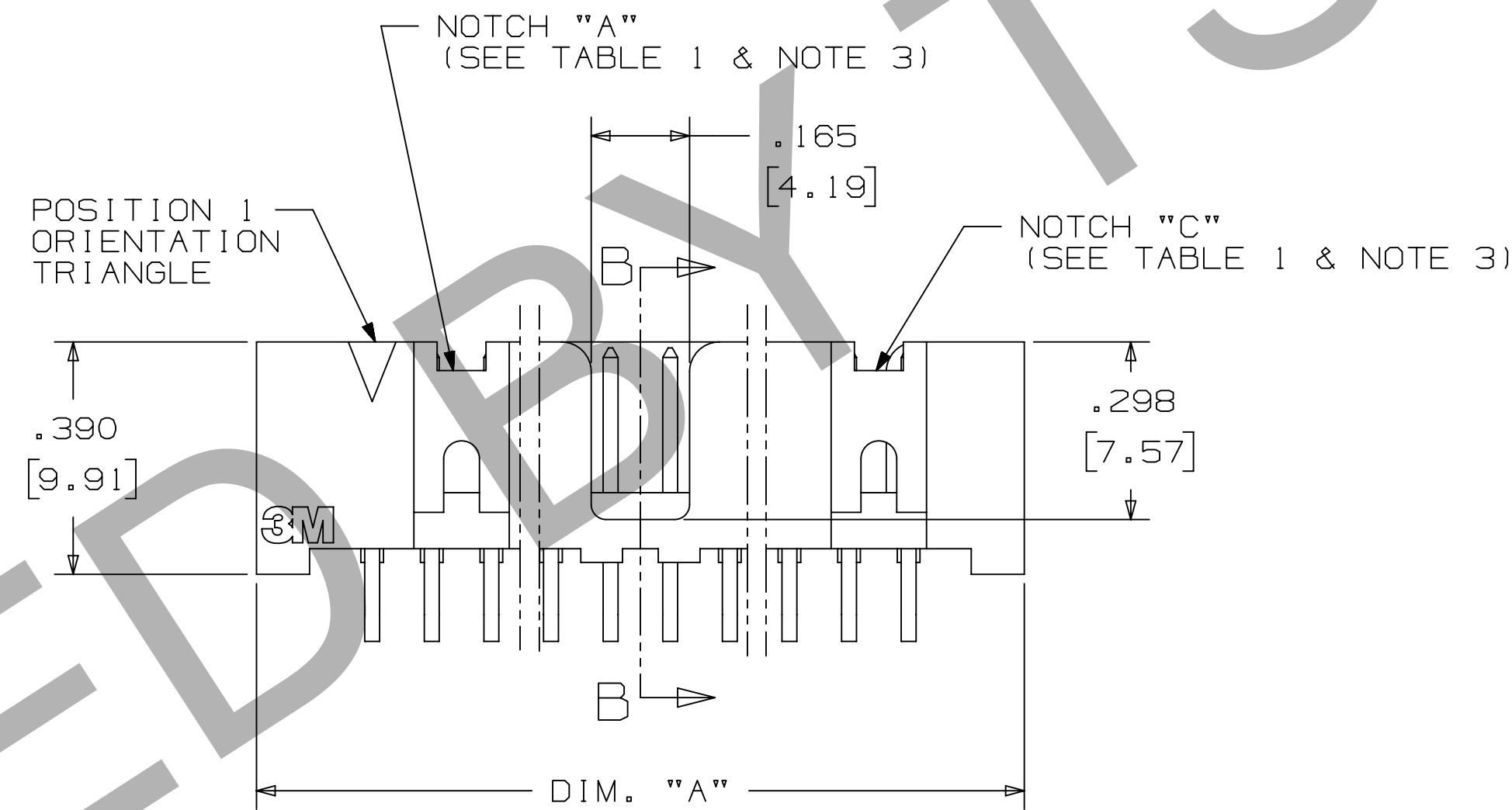
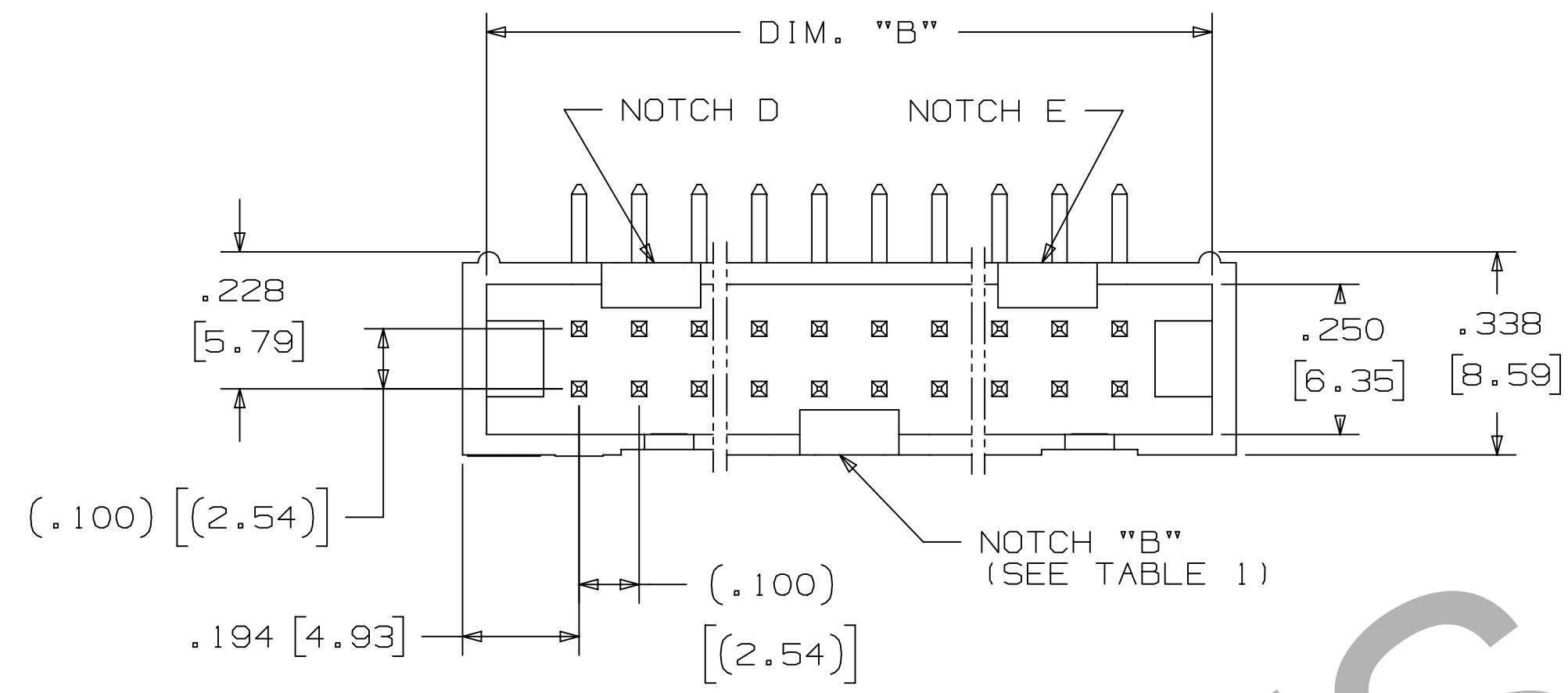
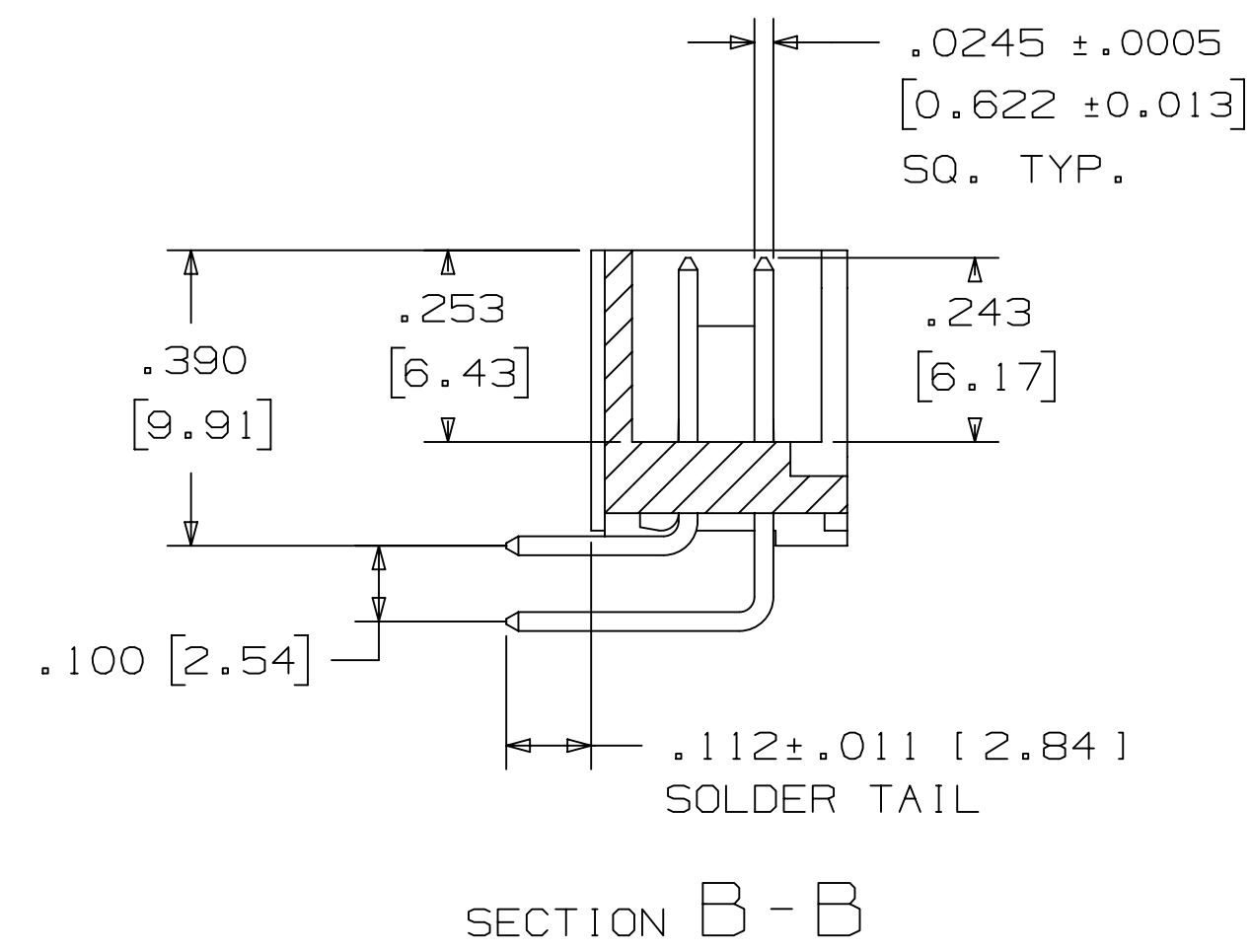
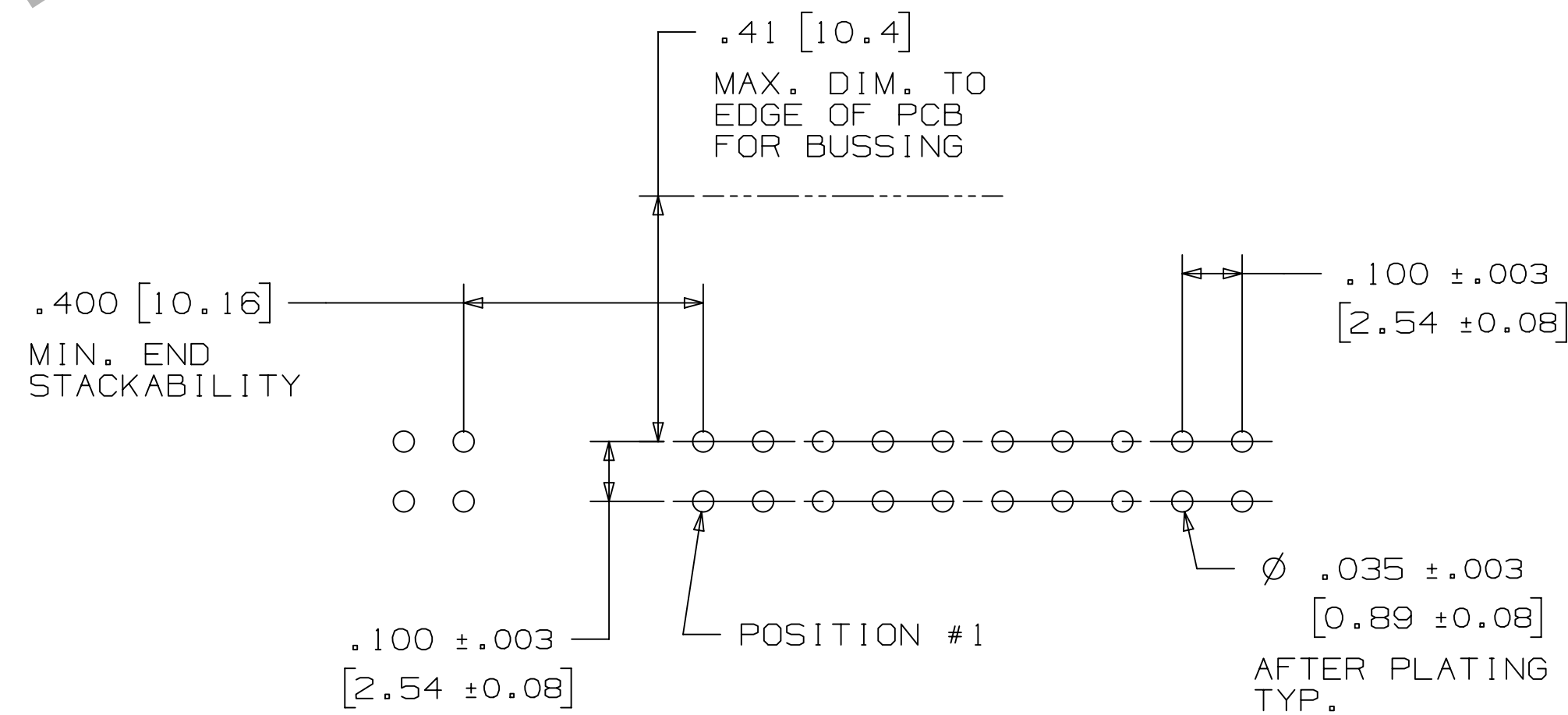


TABLE 1				
PIN QTY.	DIM. "A"	DIM. "B"	POLARIZING NOTCHES	PIN QTY.
06	.588 [14.94]	.508 [12.90]	B	06
08	.688 [17.48]	.608 [15.44]	B	08
10	.788 [20.02]	.708 [17.98]	BC	10
14	.988 [25.10]	.908 [23.06]	BCDE	14
16	1.088 [27.64]	1.008 [25.60]	ABCDE	16
20	1.288 [32.72]	1.208 [30.68]	ABCDE	20
24	1.488 [37.80]	1.408 [35.76]	ABCDE	24
26	1.588 [40.34]	1.508 [38.30]	ABCDE	26
30	1.788 [45.42]	1.708 [43.38]	ABCDE	30
34	1.988 [50.50]	1.908 [48.46]	ABCDE	34
36	2.088 [53.04]	2.008 [51.00]	ABCDE	36
40	2.288 [58.12]	2.208 [56.08]	ABCDE	40
50	2.788 [70.82]	2.708 [68.78]	ABCDE	50
60	3.288 [83.52]	3.208 [81.48]	ABCDE	60
64	3.488 [88.60]	3.408 [86.56]	ABCDE	64



ORDERING INFORMATION  
 RIGHT ANGLE VERSION

D25XX-5002-AR

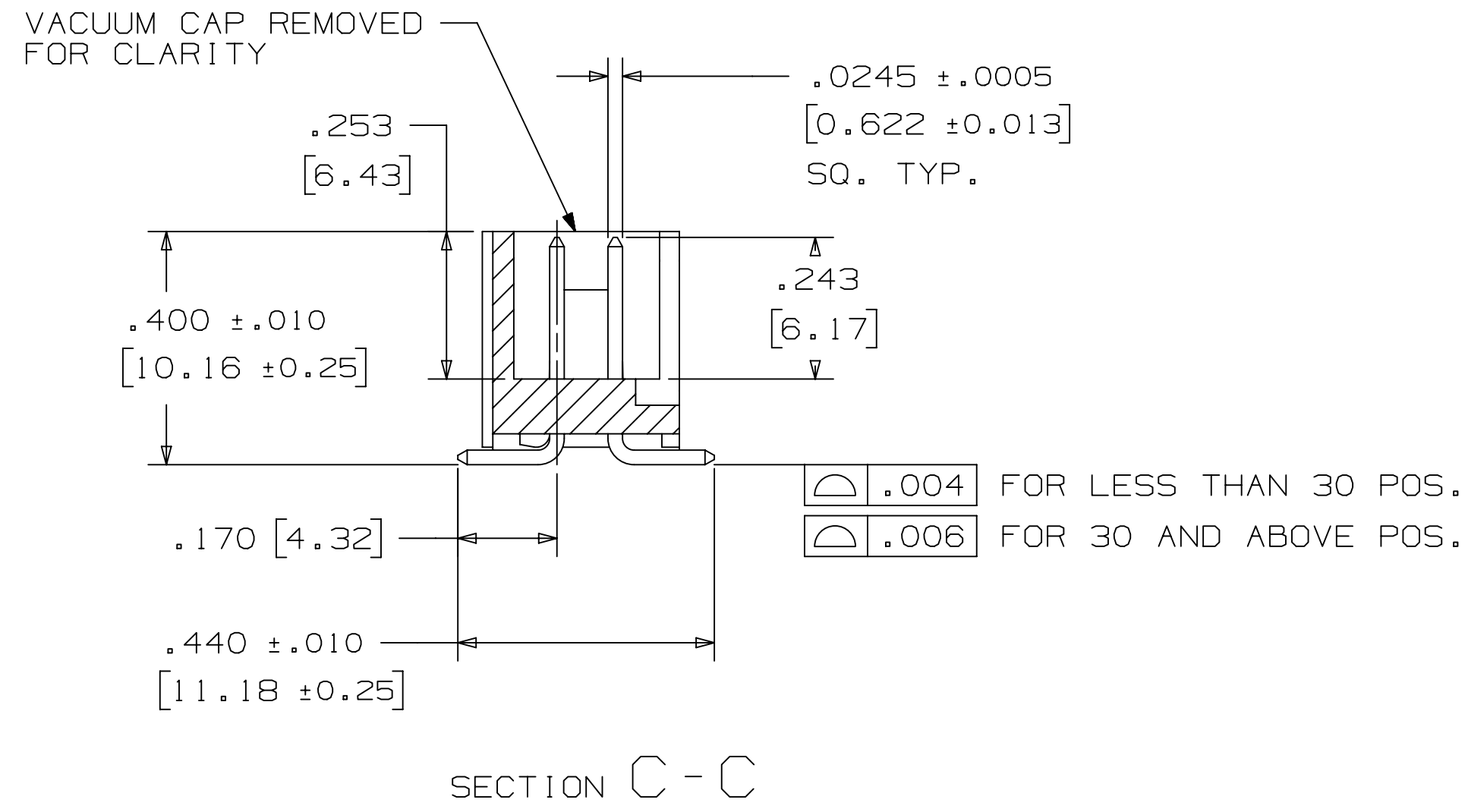
PIN QUANTITY:  
 (SEE TABLE 1)  
 SOLDER TAIL:  
 FOR .062 [1.57] THICK BOARD

PLATING:  
 AR = 10µ" [0.25µm] GOLD  
 (R1A, E1 & C1 APPLY)

RECOMMENDED HOLE PATTERN  
 SHOWN FROM COMPONENT SIDE

DESIGN REFERENCE	NEXT ASSEMBLY	REV	ECO	ISSUE DATE AND DESCRIPTION	DRFT	CHKD
		H	68908	AUG 05, 2016	JNC	SC
				REVISED AND REDRAWN		
DRFT	CASTIGLIONE	DATE	AUG 05, 2016	MFG	DATE	
CHKD		DATE		APPV	DATE	
				S. CLATANOFF	AUG 05, 2016	
DIVISION	Interconnect Solutions	DIVISION CODE	EMSD	© 3M COPYRIGHT 2016		
DO NOT SCALE DRAWING	SCALE 4/1	TOLERANCES EXCEPT AS NOTED		This document and the information it contains are 3M property and may not be reproduced or further distributed without 3M permission, or used or disclosed other than for 3M authorized purposes. All rights reserved.		
THIRD ANGLE PROJECTION		INCHES		TITLE		
		.00 ± .01		HEADER, 4-WALL,		
		.000 ± .005		LO-PRO, .100 X .100,		
		.0000 ±		SMT, STRAIGHT & RA		
INTERPRET PER ASME Y14.5 - 2009		MILLIMETERS		CAGE NUMBER		
		0 ±		D78-5100-2244-1		
MAX SURFACE ROUGHNESS		.0 ± .3		DRAWING NO.		
ALL SURFACES		.00 ± .13		REV.		
MARKED ONLY		.000 ±		H		
		ANGLES		MODEL		
				D2500 SERIES		
				DET		
				I1S1 □ YES □ NO SHT 3 OF 5		

3M™ FOUR-WALL HEADER, D2500 SERIES  
 .100" X .100" LOW PROFILE, SURFACE MOUNT, STRAIGHT AND RIGHT ANGLE THROUGH-HOLE



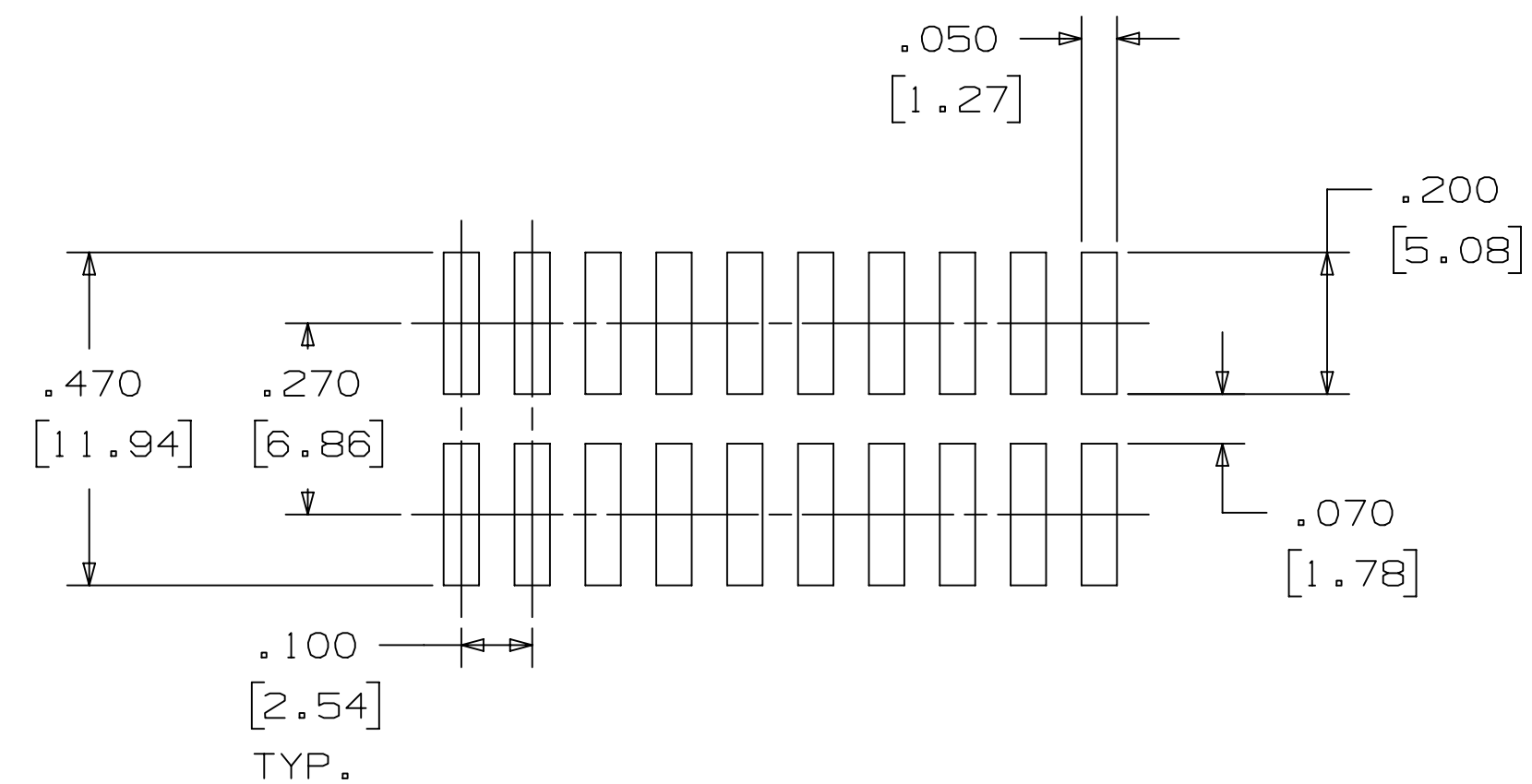
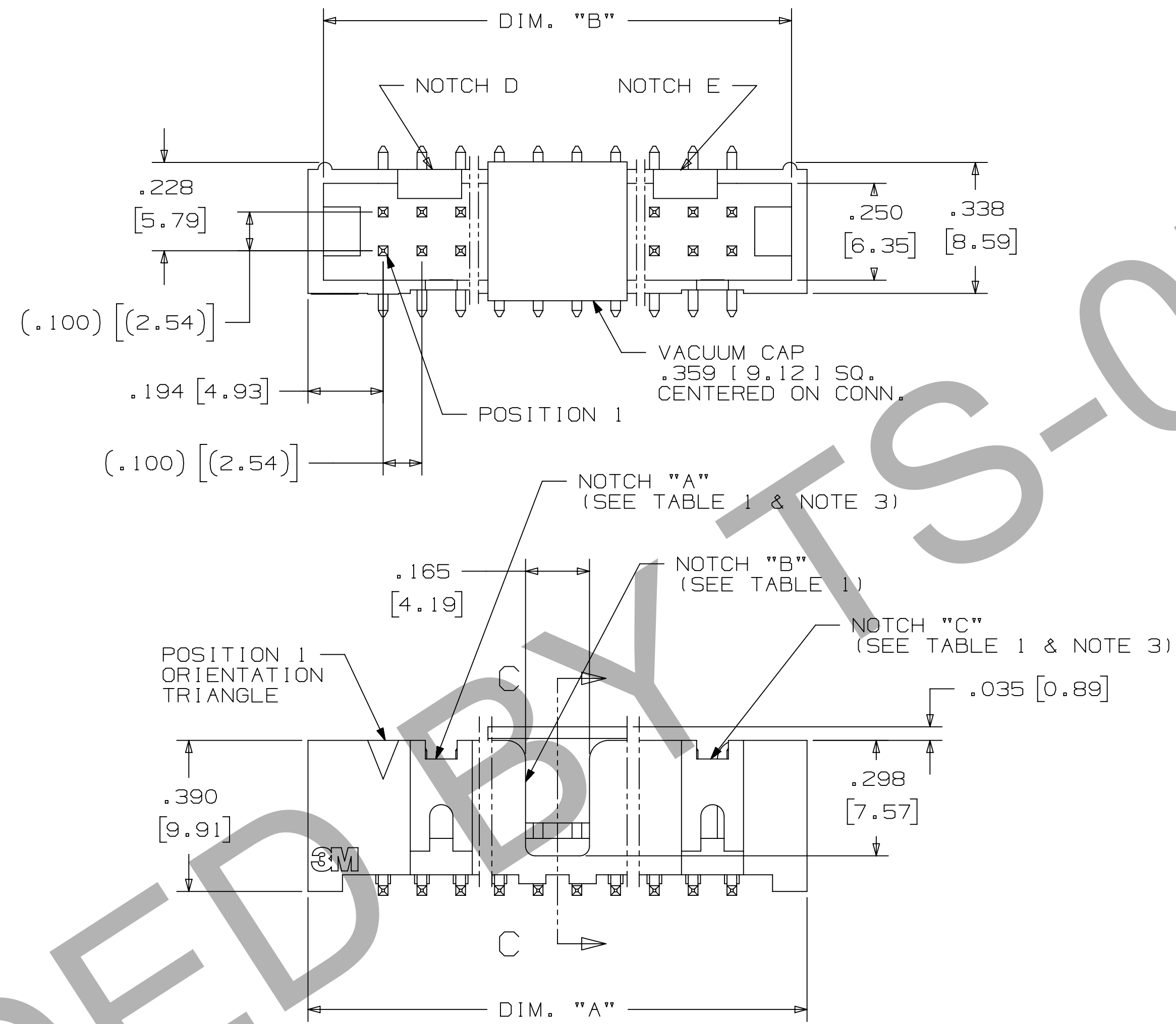
PIN QTY.	DIM. "A"	DIM. "B"	POLARIZING NOTCHES	TAPE AND REEL PKG CODE	PIN QTY.
06	.588 [14.94]	.508 [12.90]	B	WD (44 MM)	06
08	.688 [17.48]	.608 [15.44]	B	WD (44 MM)	08
10	.788 [20.02]	.708 [17.98]	BC	WD (44 MM)	10
14	.988 [25.10]	.908 [23.06]	BCDE	WD (44 MM)	14
16	1.088 [27.64]	1.008 [25.60]	ABCDE	WD (44 MM)	16
20	1.288 [32.72]	1.208 [30.68]	ABCDE	WE (56 MM)	20
24	1.488 [37.80]	1.408 [35.76]	ABCDE	WE (56 MM)	24
26	1.588 [40.34]	1.508 [38.30]	ABCDE	WE (56 MM)	26
30	1.788 [45.42]	1.708 [43.38]	ABCDE	WF (72 MM)	30
34	1.988 [50.50]	1.908 [48.46]	ABCDE	WF (72 MM)	34
36	2.088 [53.04]	2.008 [51.00]	ABCDE	WG (88 MM)	36
40	2.288 [58.12]	2.208 [56.08]	ABCDE	WG (88 MM)	40
50	2.788 [70.82]	2.708 [68.78]	ABCDE	WG (88 MM)	50
60	3.288 [83.52]	3.208 [81.48]	ABCDE	WH (120 MM)	60
64	3.488 [88.60]	3.408 [86.56]	ABCDE	WH (120 MM)	64

ORDERING INFORMATION  
 SURFACE MOUNT VERSION  
 D25XX-6VOC-AR-XX

PIN QUANTITY:  
 (SEE TABLE 1)

PACKAGING OPTIONS:  
 WX = TAPE & REEL PACKAGING (SEE TABLE 1)

PLATING:  
 AR = 10μ" [0.25μm] GOLD  
 (RIA, E1 & C1 APPLY)



RECOMMENDED PAD LAYOUT

DESIGN REFERENCE	NEXT ASSEMBLY	H 68908	AUG 05, 2016	JNC	SC
REV	ECO	ISSUE DATE AND DESCRIPTION	DRFT	CHKD	
DRFT	CASTIGLIONE	DATE	AUG 05, 2016	MFG	DATE
CHKD		DATE		APPV	DATE
				S. CLATANOFF	AUG 05, 2016
DIVISION	Interconnect Solutions	DIVISION CODE	EMSD	© 3M COPYRIGHT 2016	
DO NOT SCALE DRAWING	SCALE 4-1	TOLERANCES EXCEPT AS NOTED		This document and the information it contains are 3M property and may not be reproduced or further distributed without 3M permission, or used or disclosed other than for 3M authorized purposes. All rights reserved.	
THIRD ANGLE PROJECTION		INCHES	.00 ± .01 .000 ± .005 .0000 ±	TITLE HEADER, 4-WALL, LO-PRO, .100 X .100, SMT, STRAIGHT & RA	
INTERPRET PER ASME Y14.5 - 2009		MILLIMETERS	0 ± .0 ±.3 .00 ±.13 .000 ±	CAGE NUMBER D78-5100-2244-1	
MAX SURFACE ROUGHNESS		MARKED ONLY		REV. H	
				MODEL D2500 SERIES	
				DET [ ] YES [X] NO SHT 4 OF 5	

3M™ FOUR-WALL HEADER, D2500 SERIES  
 .100" X .100" LOW PROFILE, SURFACE MOUNT, STRAIGHT AND RIGHT ANGLE THROUGH-HOLE

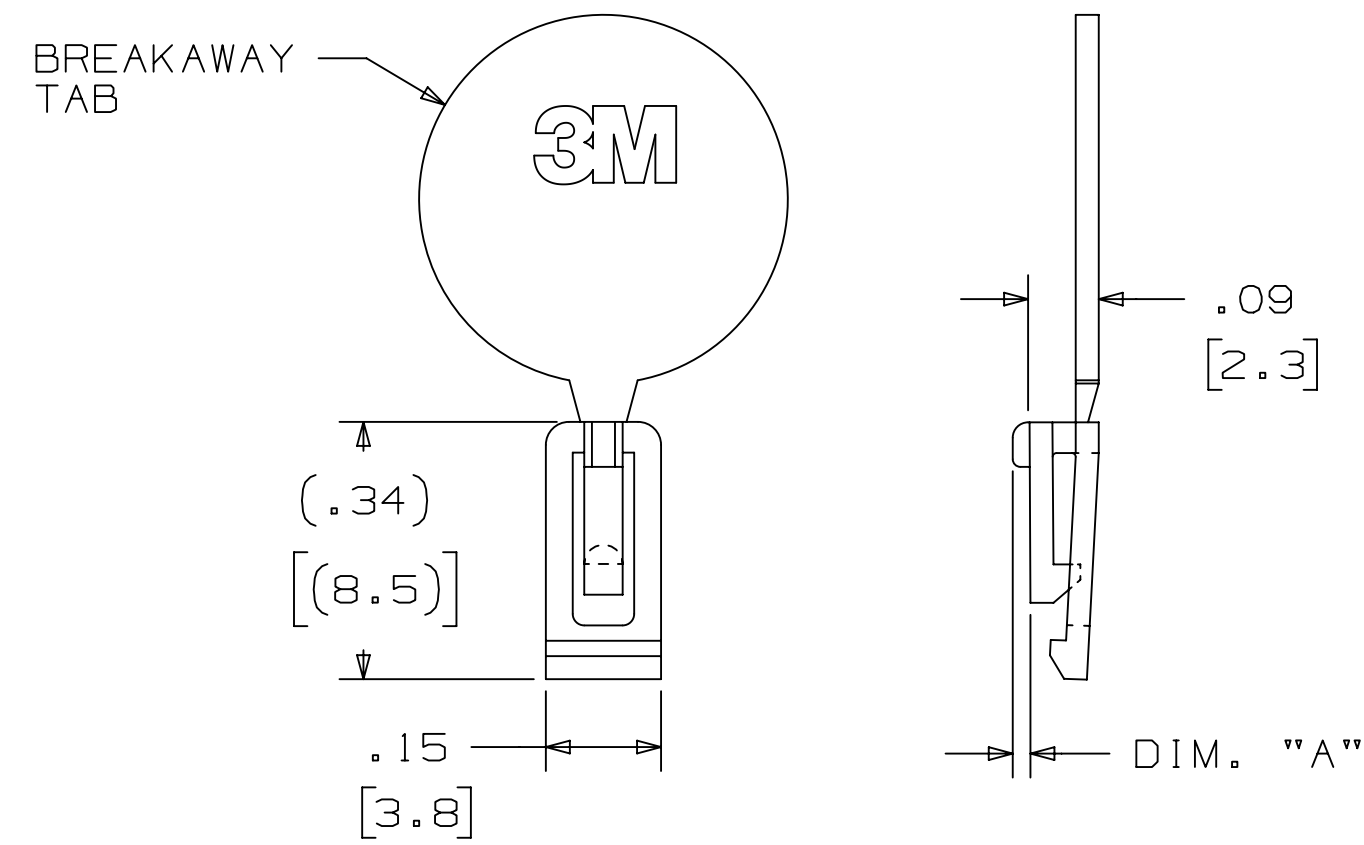
PART CUSTOMIZATION

THIS SPEC SHEET DETAILS OUR STANDARD OFFERING.

3M HAS SEVERAL CAPABILITIES THAT CAN PROVIDE A PART TAILORED TO YOUR SPECIFIC NEEDS. ASK YOUR 3M SALES REPRESENTATIVE OR CUSTOMER SERVICE FOR MORE DETAILS.

- \* SELECTIVE PIN REMOVAL (FOR BOARD ASSEMBLY POLARIZATION).
- \* DIFFERENT PIN LENGTHS.

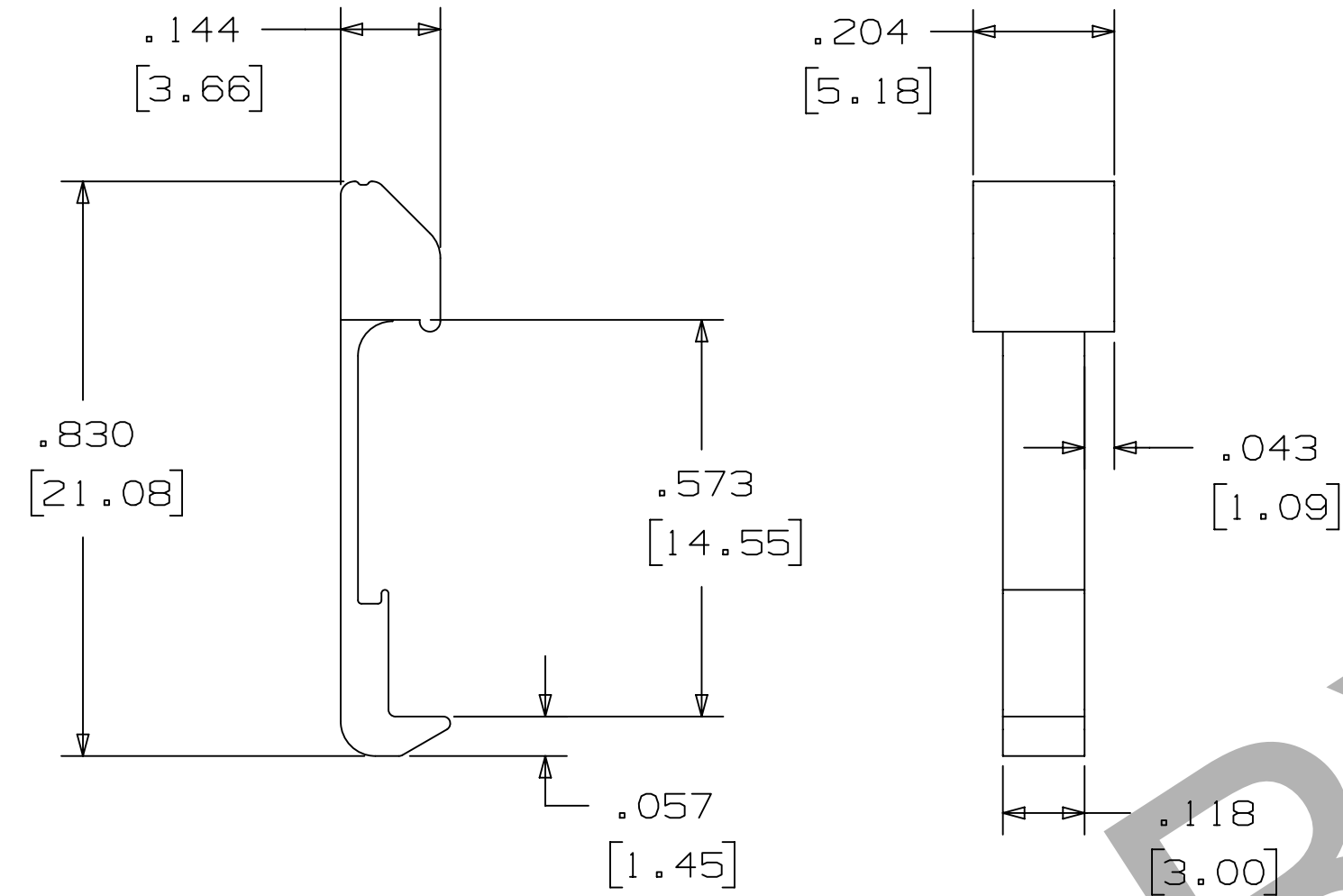
POLARIZING KEY



3M PART NO.	MATERIAL	COLOR	DIM. "A"
N3518	LCP	BLACK	.02

NOTE:  
 #2216 B/A SCOTCHWELD CAN BE USED TO ADHERE KEYS.

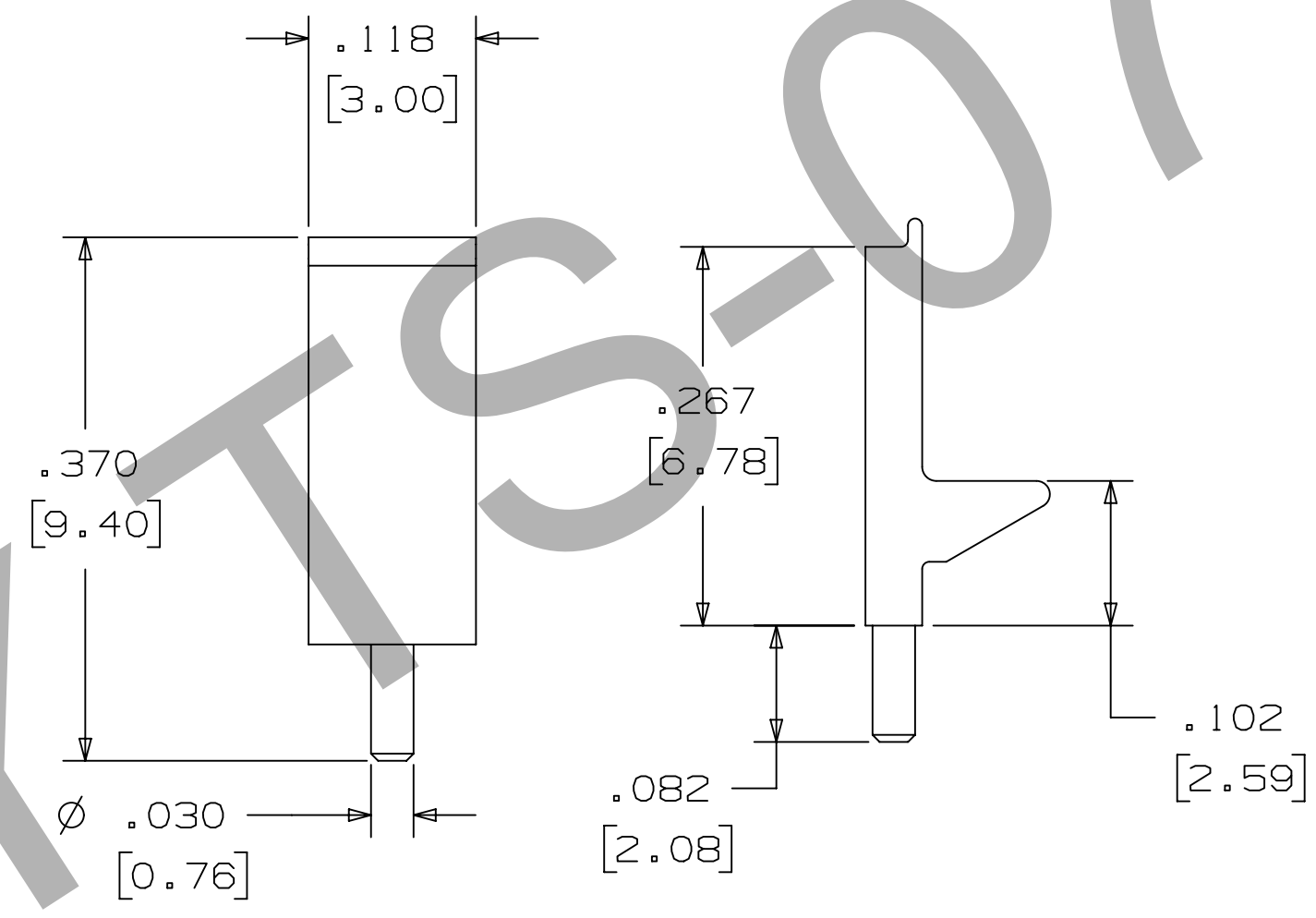
LOW PROFILE LATCH



PART NO.	MATERIAL	COLOR
3505-33B	NYLON	BLACK

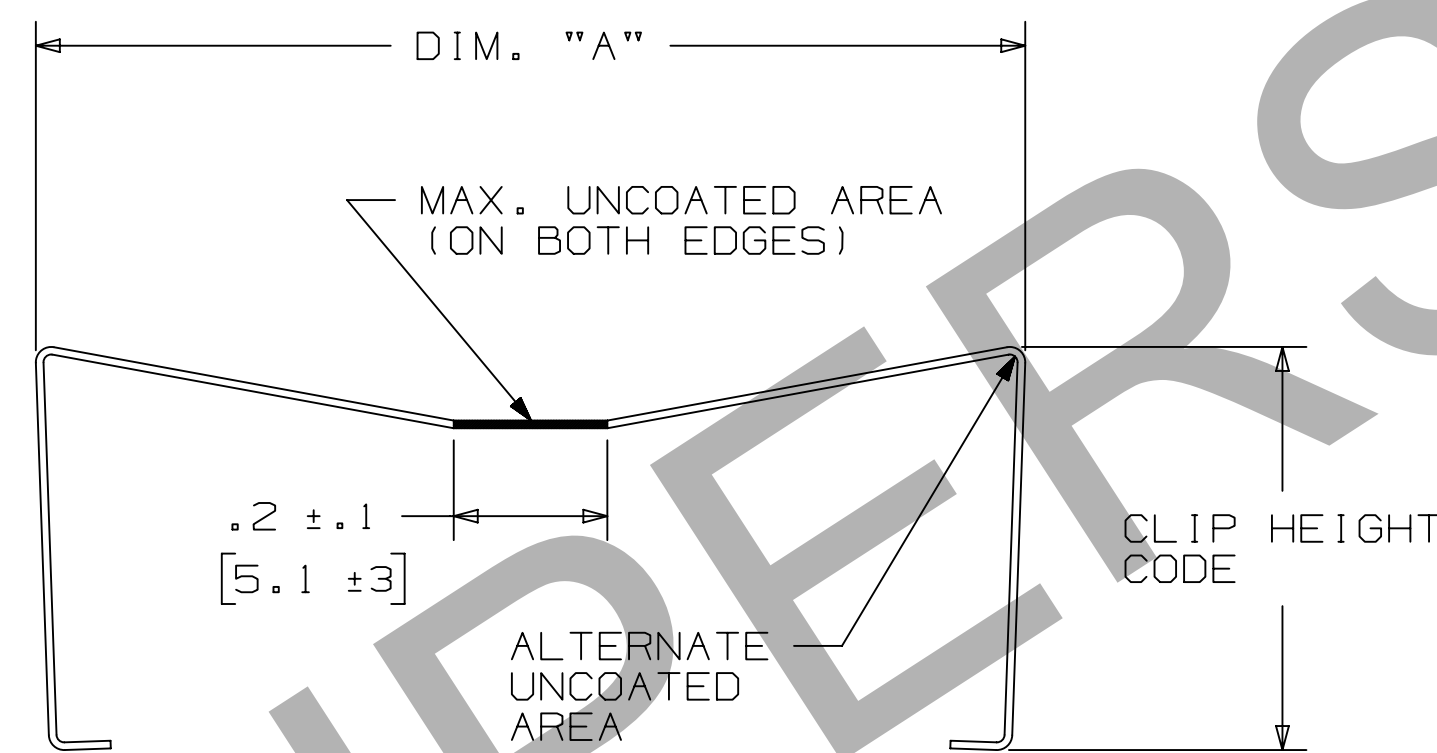
NOTE:  
 LATCHES NOT COMPATIBLE WITH REFLOW SOLDERING.  
 ATTACH LATCHES AFTER SOLDERING.

POLARIZING POST



PART NO.	MATERIAL	COLOR
3201-3	PCT	BLACK

SHORT/LONG SOCKET RETAINER CLIP



PIN QTY.	DIM. "A"
06	N/A
08	N/A
10	.81 [20.6]
14	1.02 [25.9]
16	1.12 [28.4]
20	1.32 [33.5]
24	1.52 [38.7]
26	1.63 [41.4]
30	1.83 [46.4]
34	2.03 [51.6]
36	N/A
40	2.33 [59.2]
50	2.83 [71.9]
60	3.33 [84.6]
64	3.53 [89.7]

NOTE:  
 STAINLESS STEEL WITH GRAY POLYURETHANE COATING.

3505-8XXX

CLIP HEIGHT CODE \_\_\_\_\_ PIN COUNT (SEE TABLE)  
 0 = .31 [7.9] FOR SOCKETS WITHOUT STRAIN RELIEF  
 1 = .53 [13.5] FOR SOCKETS WITH STRAIN RELIEF

NOTE:  
 1) THE FOLLOWING RETAINER CLIPS HAVE BEEN DISCONTINUED:  
 3505-8064  
 3505-8124  
 3505-8150

DESIGN REFERENCE	NEXT ASSEMBLY	H 68908	AUG 05, 2016	JNC	SC
REV	ECO	ISSUE DATE AND DESCRIPTION	DRFT	CHKD	
DRFT	CASTIGLIONE	DATE 05, 2016	MFG	DATE	
CHKD		DATE	APPV	DATE	
			S. CLATANOFF	AUG 05, 2016	
DIVISION	Interconnect Solutions	DIVISION CODE	EMSD	© 3M COPYRIGHT 2016	
DO NOT SCALE DRAWING	SCALE 4-1	TOLERANCES EXCEPT AS NOTED		This document and the information it contains are 3M property and may not be reproduced or further distributed without 3M permission, or used or disclosed other than for 3M authorized purposes. All rights reserved.	
THIRD ANGLE PROJECTION		INCHES	.00 ± .01	TITLE	
INTERPRET PER ASME Y14.5 - 2009		MILLIMETERS	.000 ± .005	HEADER, 4-WALL, LO-PRO, .100 X .100, SMT, STRAIGHT & RA	
MAX SURFACE ROUGHNESS			.0000 ±	CAGE NUMBER	D78-5100-2244-1
MARKED SURFACES			.00 ± .3	SIZE	H
MARKED ONLY			.00 ± .13	DRAWING NO.	D78-5100-2244-1
			.000 ±	MODEL	D2500 SERIES
			ANGLES	DET	1515
				YES	NO
				SHT	5 OF 5

## X-ON Electronics

Largest Supplier of Electrical and Electronic Components

*Click to view similar products for [Headers & Wire Housings](#) category:*

*Click to view products by [3M](#) manufacturer:*

Other Similar products are found below :

[95000-104TRLF](#) [10135584-644402LF](#) [DF62W-EP2022PCA](#) [95000-106TRLF](#) [DF62W-2022SCA](#) [DF62W-EP2022PC](#) [2203348](#) [DF62W-2022SC](#) [1084018](#) [1029039](#) [1084017](#) [802-10-012-10-002000](#) [1112640](#) [1112639](#) [000-34000](#) [0009482033](#) [0009507031](#) [57102-S06-03LF](#) [57202-S52-04LF](#) [PCN6-15S-2.5E](#) [0039019024](#) [58102-G61-06LF](#) [582553-1](#) [0009508121](#) [0022285053](#) [0050291907](#) [018731A](#) [LY20-4P-DT1-P1E-BR](#) [02.125.8002.8](#) [60101931](#) [60598-1 \(Cut Strip\)](#) [M1625-3R/100](#) [61062-3](#) [61082-181009](#) [636-1427](#) [638009-1](#) [641938-9](#) [641991-4](#) [644168-1](#) [644827-2](#) [647662-1](#) [65039-019ELF](#) [65817-002LF](#) [65817-015LF](#) [65863-015LF](#) [66207-023LF](#) [67016-026LF](#) [67046-001LF](#) [67095-007LF](#) [68002-116](#)