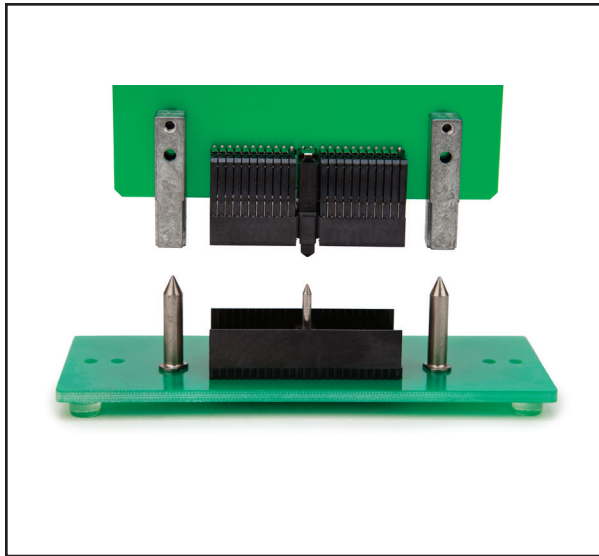


3M™ HSHM Guide Pin and Guide Socket

Hardware

HSHM Series



- Robust metal guide pin and guide socket
- Compatible with CompactPCI®, HM, HSHM, and UHM backplane systems
- Equipped with Loctite DRI-LOC 204
- Guide pin threads equipped with Loctite DRI-LOC 204
- Lead free

Date Modified: November 4, 2013

TS-2095-C
Sheet 1 of 4

Physical

Material: Guide Pin - Stainless Steel
Guide Socket- Zinc Alloy

Electrical

Not Applicable

Environmental

Not Applicable

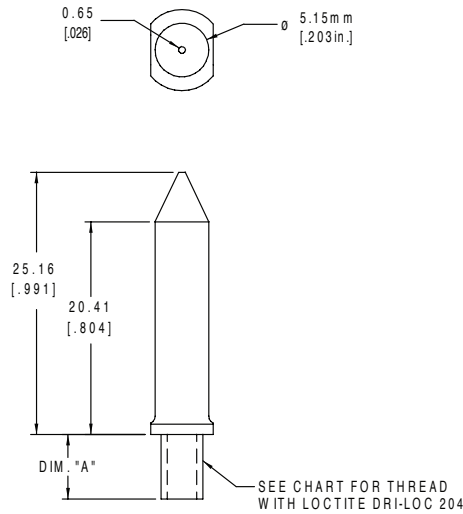
Loctite is a trademark of Henkel Corporation.
MetPak and HSHM in design are trademarks of 3M Company.

3M™ HSHM Guide Pin and Guide Socket

Hardware

HSHM Series

Guide Pin Drawing



mm [Inch]	
Tolerance Unless Noted	
mm	±.05
Inch	±.002

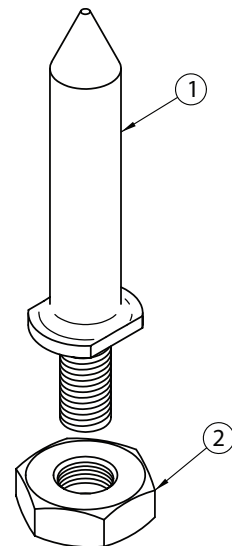
[] Dimensions for Reference Only

GUIDE PIN

DESCRIPTION/ PART NUMBER	DIMENSION "A"	THREAD	GUIDE PIN PART No.
HSHM-GUIDE-PIN-1	6.2 [.244]	M4-.7-6G	15-0303-2871-8
HSHM-GUIDE-PIN-2	7.5 [.295]	M4-.7-6G	15-0303-6801-1
HSHM-GUIDE-PIN-3	9.2 [.362]	M4-.7-6G	15-0303-6811-0
HSHM-GUIDE-PIN-4	12.7 [.500]	8-32 UNC-2A	15-0303-6821-9
HSHM-GUIDE-PIN-5	12.7 [.500]	M4-.7-6G	15-0303-6831-8
HSHM-GUIDE-PIN-6	15.0 [.591]	M4-.7-6G	15-0000-0838-1

GUIDE PIN KITS

KIT DESCRIPTION/ PART NUMBER	KIT PART No.	ITEM #	ITEM DESCRIPTION	ITEM PART No.
HSHM-GUIDE-PIN-1-KIT	70-0100-2444-9			
		1	HSHM-GUIDE-PIN-1	15-0303-2871-8
		2	NUT-M4	15-0420-1590-7
HSHM-GUIDE-PIN-2-KIT	70-0100-2445-6			
		1	HSHM-GUIDE-PIN-2	15-0303-6801-1
		2	NUT-M4	15-0420-1590-7
HSHM-GUIDE-PIN-3-KIT	70-0100-2446-4			
		1	HSHM-GUIDE-PIN-3	15-0303-6811-0
		2	NUT-M4	15-0420-1590-7
HSHM-GUIDE-PIN-4-KIT	70-0100-2447-2			
		1	HSHM-GUIDE-PIN-4	15-0303-6821-9
		2	NUT 8-32 UNC-2B	26-1021-0167-7
HSHM-GUIDE-PIN-5-KIT	15-0209-9770-4			
		1	HSHM-GUIDE-PIN-5	15-0303-6831-8
		2	NUT-M4	15-0420-1590-7
HSHM-GUIDE-PIN-6-KIT	70-0100-2448-0			
		1	HSHM-GUIDE-PIN-6	15-0000-0838-1
		2	NUT-M4	15-0420-1590-7



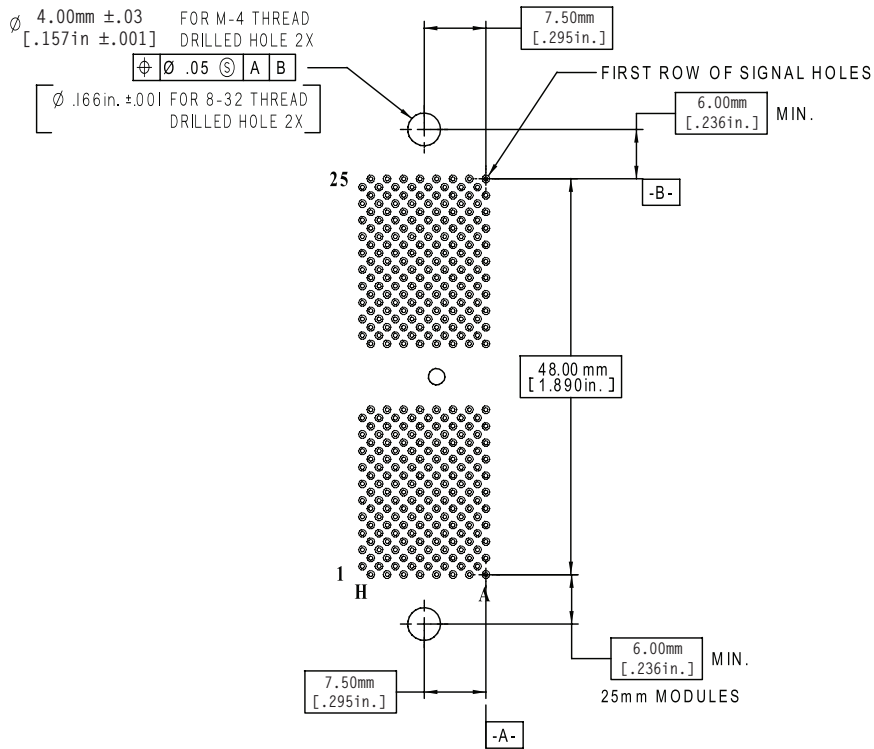
TS-2095-C
Sheet 2 of 4

3M™ HSHM Guide Pin and Guide Socket

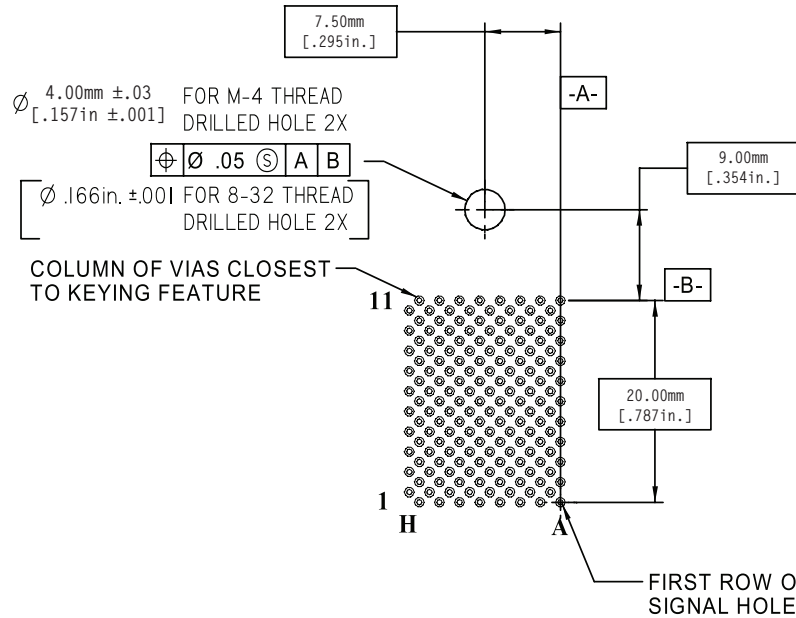
Hardware

HSHM Series

Guide Pin PCB Hole Layout



RECOMMENDED PCB HOLE MOUNTING PATTERN
(REFERENCED TO A 50 mm HSHM CONNECTOR FOOTPRINT)



RECOMMENDED PCB HOLE MOUNTING PATTERN
(REFERENCED TO A 25 mm HSHM CONNECTOR FOOTPRINT)

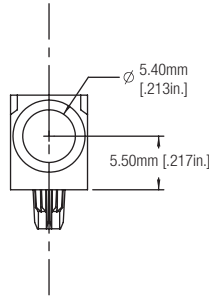
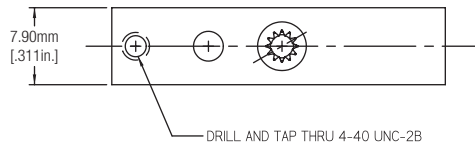
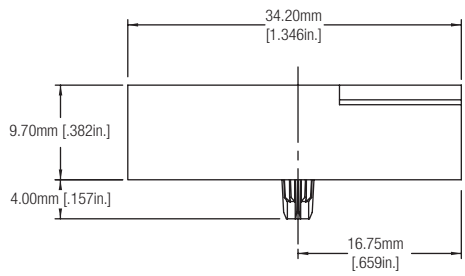
TS-2095-C
Sheet 3 of 4

3M™ HSHM Guide Pin and Guide Socket

Hardware

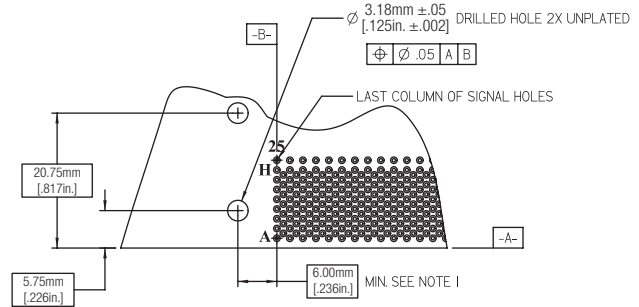
HSHM Series

Guide Socket and PCB Hole Layout



NOTES;

I. THIS DIMENSION IS VARIABLE FOR VALUES GREATER THAN 6mm AND MUST BE EQUAL TO THE OFFSET USED FOR THE PIN.



RECOMMENDED PCB HOLE MOUNTING PATTERN
(REFERENCED TO A TYPICAL HSHM CONNECTOR FOOTPRINT)

GUIDE SOCKET

DESCRIPTION/ PART NUMBER	THREAD	GUIDE SOCKET PART No.
HSHM-GUIDE-SOCKET-1	4-40 UNC-2B	15-0303-2861-9

X-ON Electronics

Largest Supplier of Electrical and Electronic Components

Click to view similar products for [Hard Metric Connectors](#) category:

Click to view products by [3M](#) manufacturer:

Other Similar products are found below :

[10146110-VR5C](#) [6345127-1](#) [646916-9](#) [6469658-1](#) [853016](#) [973108](#) [1-2000713-0](#) [1-2000713-2](#) [1-2000713-3](#) [120646-1](#) [134187](#) [1645343-1](#)
[1645456-1](#) [1645564-3](#) [1645594-1](#) [1645601-1](#) [1934822-1](#) [2000829-2](#) [2000985-2](#) [223085-1](#) [278071110010833](#) [1645179-1](#) [1645245-1](#)
[1645457-1](#) [1645525-1](#) [1645570-1](#) [1645596-1](#) [17-8072-125-000-863+](#) [1857470-1](#) [1934275-1](#) [1934289-1](#) [1934759-1](#) [2000670-2](#) [2000673-1](#)
[2000843-2](#) [2000984-2](#) [204975](#) [2170292-2](#) [2-536642-6](#) [3-100668-0](#) [3-106015-1](#) [352188-1](#) [352629-1](#) [3-646346-0](#) [3-646356-0](#) [3-646457-0](#) [3-646529-0](#) [3-646530-0](#) [5120823-1](#) [5120899-1](#)