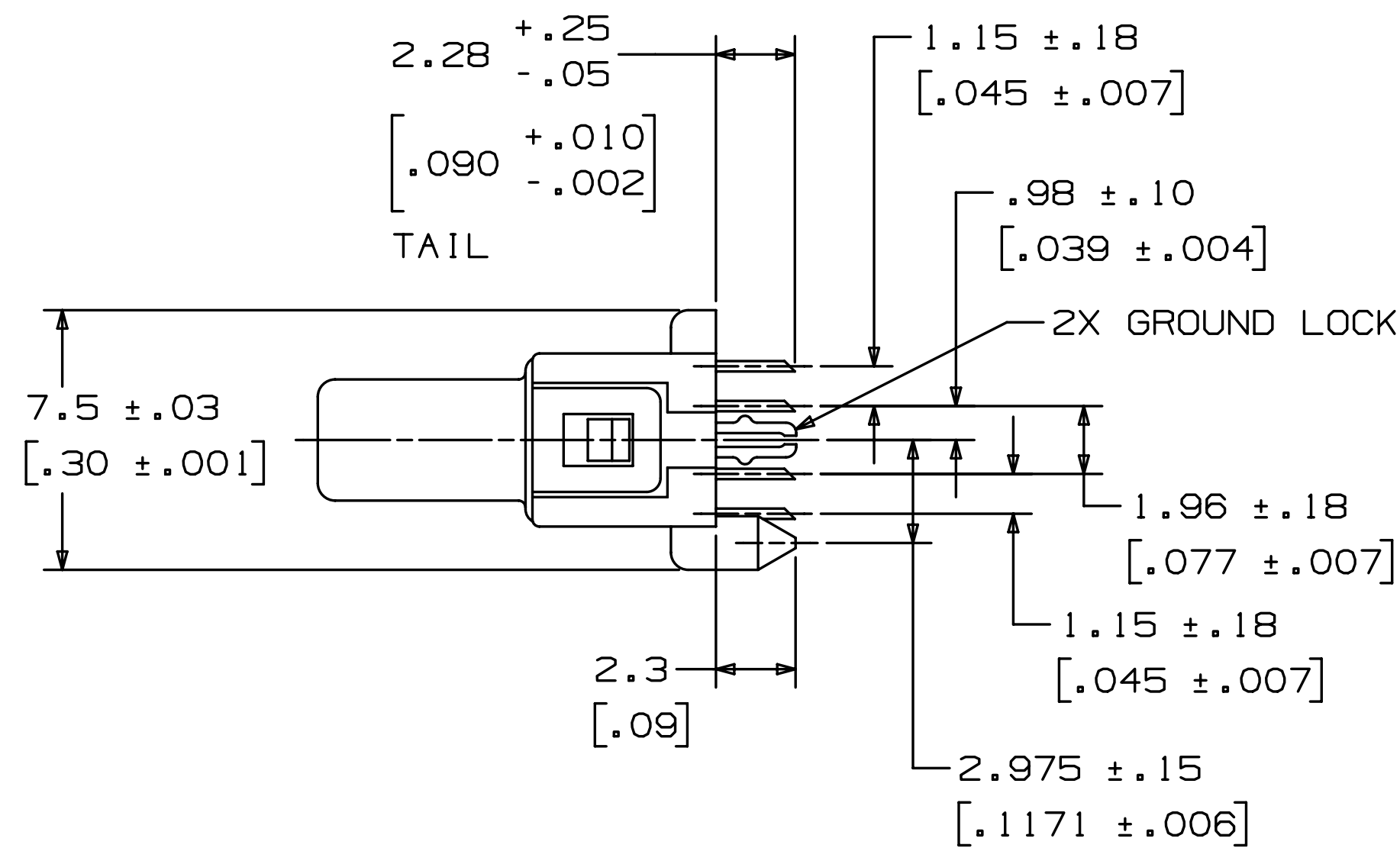
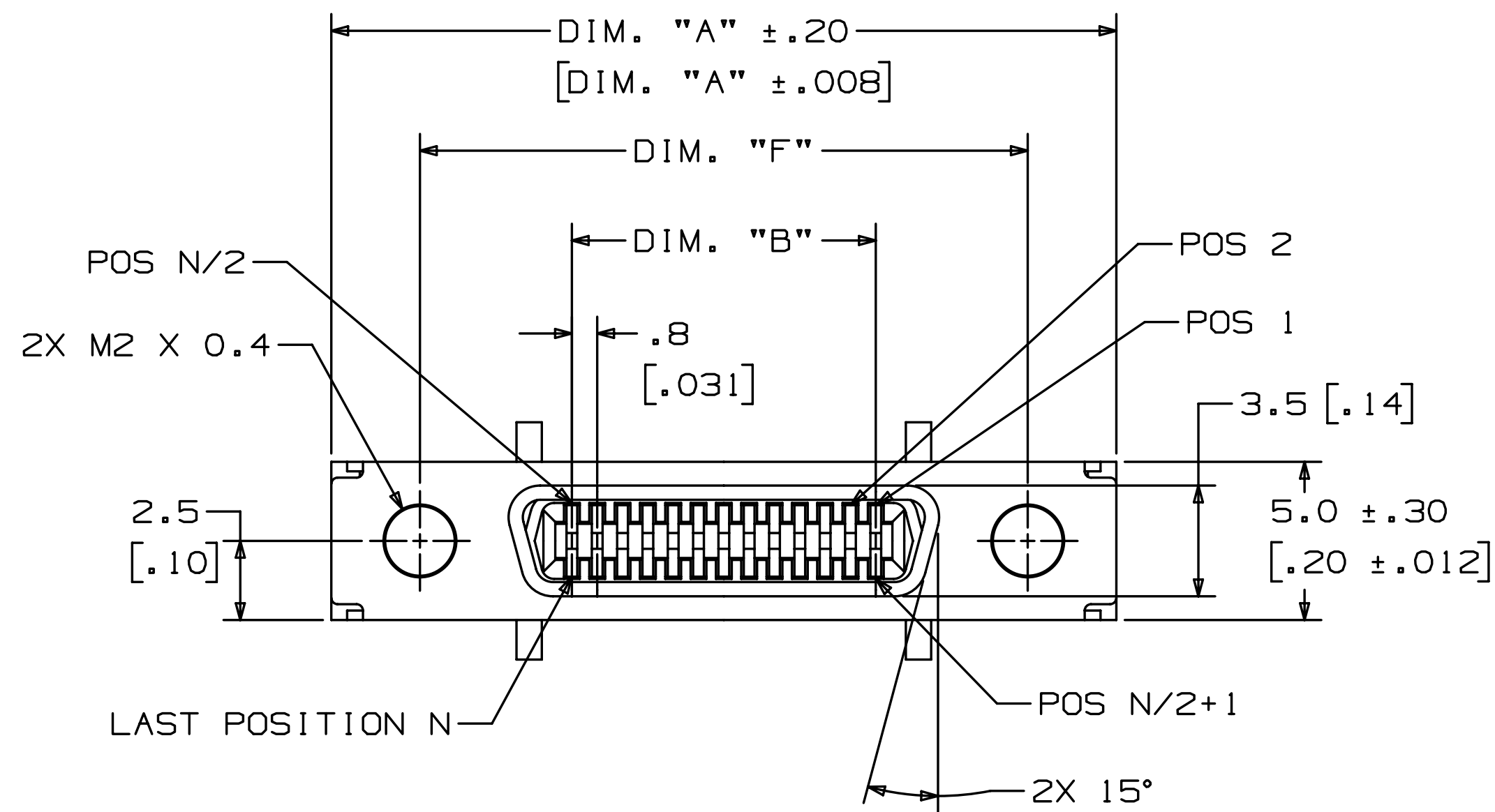
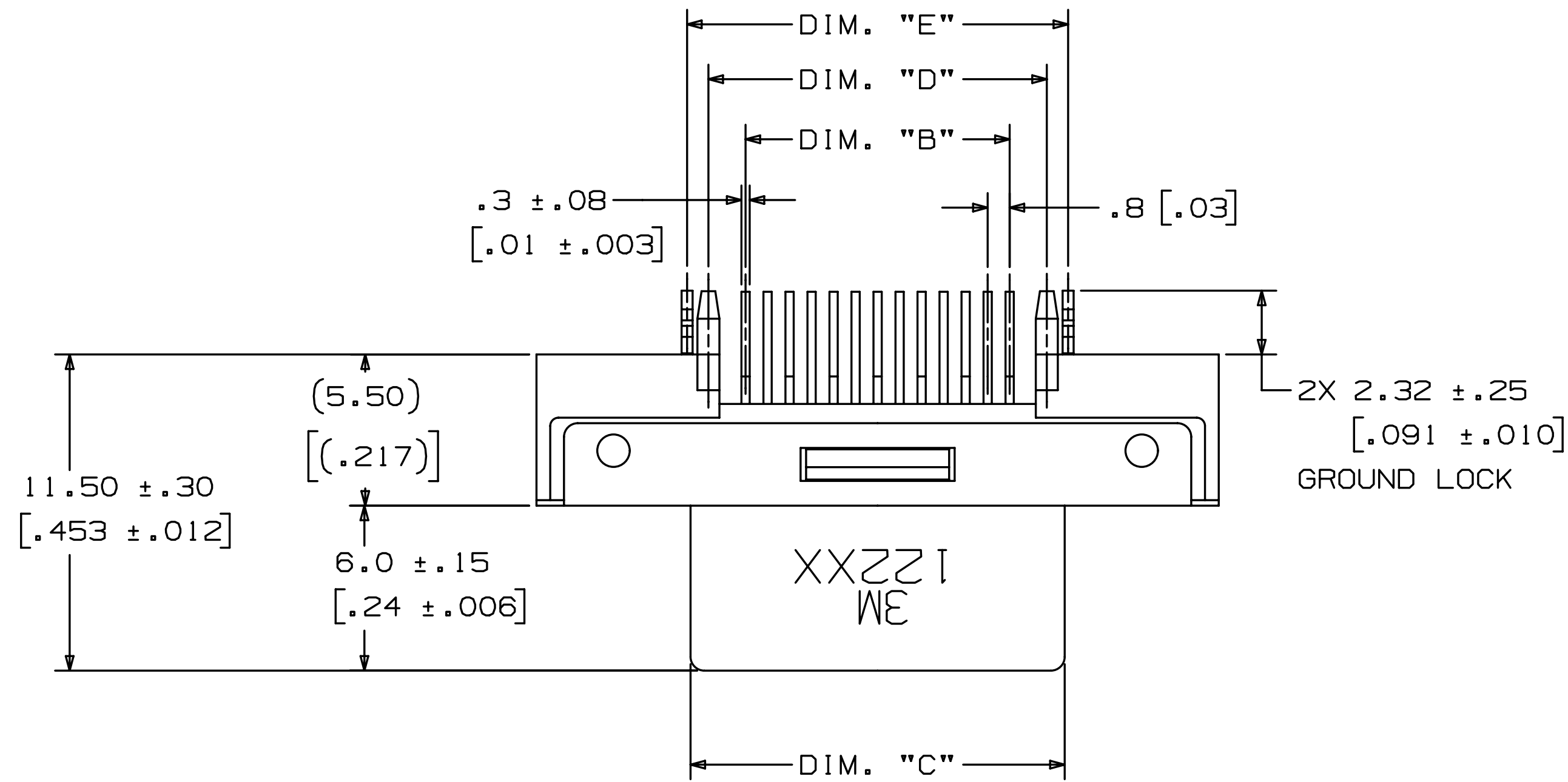


3M™ Shrunk Delta Ribbon (SDR) Connectors, 122 Series
 .80 mm Boardmount, Through-Hole, Vertical Receptacle, Shielded



- NOTES
- MATERIAL:
 INSULATION: HIGH TEMPERATURE NYLON
 COLOR: BLACK, UL94V-0

 CONTACT: COPPER ALLOY
 PLATING:
 UNDERPLATE: 2µm [80µ"] NICKEL
 WIPING AREA: .76µm [30µ"] GOLD
 TERMINATION AREA: GOLD FLASH OVER NICKEL

 SHROUD & LATCH HOOK: STEEL
 PLATING: NICKEL

 GROUND LOCK: COPPER ALLOY
 PLATING: SEMI-BRIGHT TIN OVER NICKEL

 LOCK SCREW: STEEL
 PLATING: NICKEL

 ALIGNMENT PLATE: PPS
 COLOR: BLACK, UL94V-0
 - MARKING: 3M LOGO AND PART NUMBER.
 - ELECTRICAL:
 CURRENT RATING: 0.5 A
 INSULATION RESISTANCE: 500 MΩ MIN AT 250 V_{DC}
 WITHSTANDING VOLTAGE: 350 V_{AC} FOR 1 MINUTE
 - ENVIRONMENTAL:
 TEMPERATURE RATING:
 -40° C TO +70° C
 PROCESS RATING:
 REFLOW: PREHEAT 150° TO 180° C,
 90 TO 120 SECONDS
 SOLDERING: OVER 220° C,
 30 TO 60 SECONDS, PEAK TEMPERATURE
 IS 250° C MAX.
 SOLDER IRON: 380° C MAX, 3 SECONDS MAX.
 WAVE SOLDERING: 260° C, 10 SECONDS, 2 TIMES
 OR 263° C, 5 SECONDS, 2 TIMES.
 * PRE-HEAT CONDITION:
 TEMP OF COMPONENTS: 100° C MAX.
 DURATION: 60 SECONDS MAX.
 - IN THE EVENT OF CONFLICT BETWEEN THIS DATA AND THAT CONTAINED IN THE PRODUCT SPECIFICATION, THE PRODUCT SPECIFICATION TAKES PRECEDENT.
 - FOR VARIOUS PANEL THICKNESS JACKSOCKETS REFER TO TS-0142.
 - SEE REGULATORY INFORMATION APPENDIX (RIA) IN THE "ROHS COMPLIANCE" SECTION OF WWW.3MCONNECTOR.COM FOR COMPLIANCE INFORMATION.

DIMENSIONS ARE IN MM.
 SECONDARY ARE IN [INCHES]
 AND ARE FOR REFERENCE ONLY

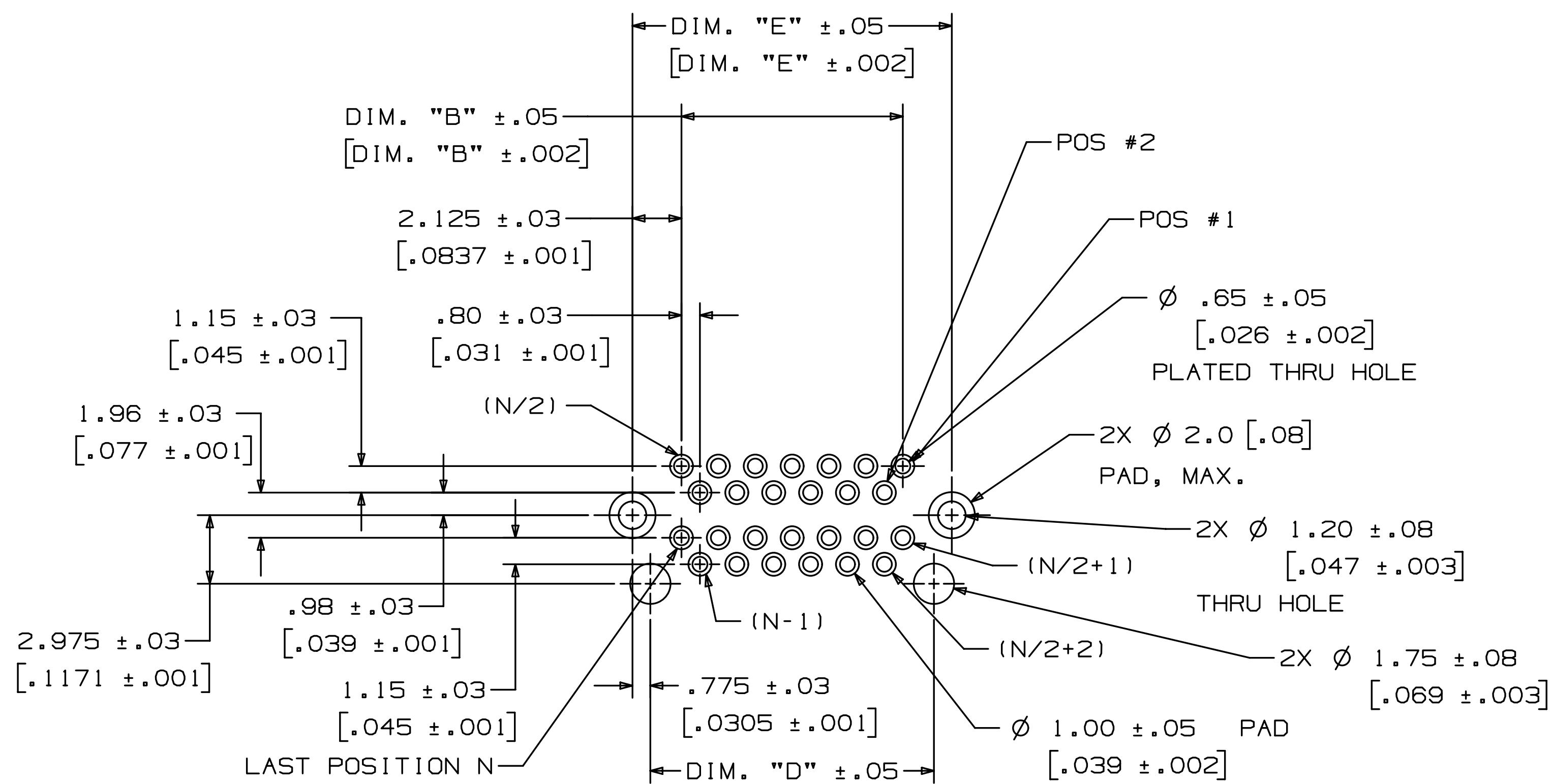
POSITION	DIM. "A"	DIM. "B"	DIM. "C"	DIM. "D"	DIM. "E"	DIM. "F"
14	20.0 [.79]	4.80 [.189]	8.8 [.35]	7.50 [.295]	9.05 [.356]	14.4 [.57]
26	24.8 [.98]	9.60 [.378]	13.6 [.54]	12.30 [.484]	13.85 [.545]	19.2 [.76]

CONNECTOR DIMENSION TABLE
 TABLE 1

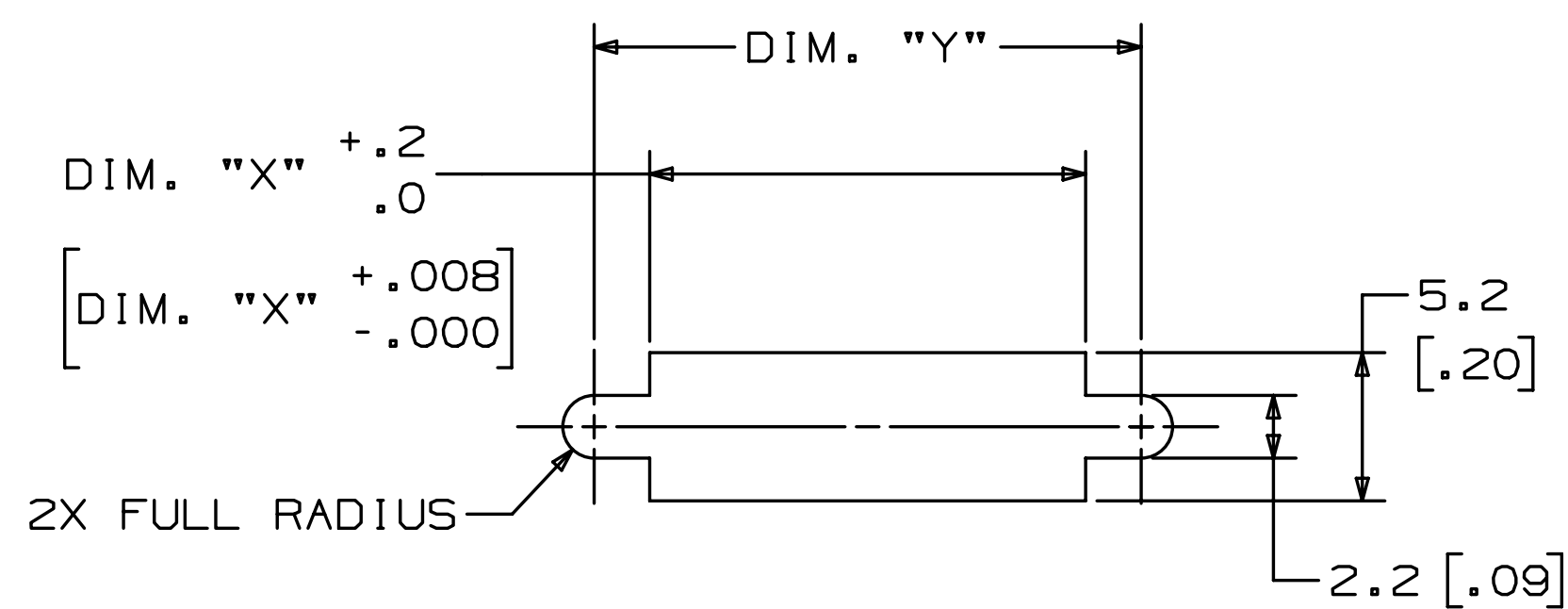
DESIGN REFERENCE	NEXT ASSEMBLY	REV	ECO	ISSUE DATE AND DESCRIPTION	DRFT	CHKD
				JAN 10, 2011 REVISED AND REDRAWN	JNC	SC
DISTRIBUTION CODE		APP'D	DATE	DATE		
		CASTIGLIONE	JAN 10, 2011			
		CHKD	DATE	DATE		
		D. CRONCH		MAR 29, 2011		
DIVISION	DIVISION CODE	© 3M COPYRIGHT 2011				
Interconnect Solutions	ISD	This document and the information it contains are 3M property and may not be reproduced or further distributed without 3M permission, or used or disclosed other than for 3M authorized purposes. All rights reserved.				
DO NOT SCALE DRAWING	SCALE 6/1	TOLERANCES EXCEPT AS NOTED	3M Center St. Paul, MN 55144			
		INCHES	TITLE			
		.0 ± .006	3M SHRUNK DELTA RIBBON (SDR) CONN.			
		.000 ± .006	122XX-11X0-00FR			
		.0000 ± .005	CAGE SIZE DRAWING NO.			
THIRD ANGLE PROJECTION		MILLIMETERS	NUMBER D 78-5100-2126-0			
INTERPRET PER ASME Y14.5 - 1994		0 ± .15	REV.			
MAX SURFACE ROUGHNESS		.00 ± .15	D			
UNFINISHED SURFACES		.000 ± .13	MODEL 122XX-1150-00			
MARKED ONLY		ANGLES	DET 15TS YES NO SHT 1 OF 2			

3M
 UL FILE NO: E68080

3M™ Shrunk Delta Ribbon (SDR) Connectors, 122 Series
 .80 mm Boardmount, Through-Hole, Vertical Receptacle, Shielded



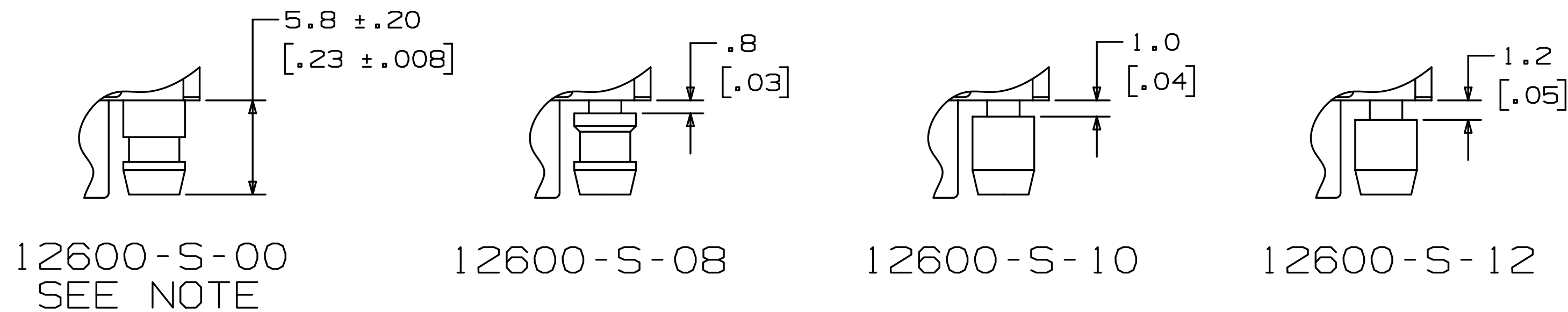
RECOMMENDED PC BOARD LAYOUT
 (MOUNT SIDE VIEW)
 N = TOTAL NUMBER OF POSITIONS
 SCALE 6X



RECOMMENDED PANEL CUT-OUT
 (MAXIMUM PANEL THICKNESS 1.2MM)

POSITION	DIM. "X"	DIM. "Y"
14	10.5 [.41]	14.4 [.57]
26	15.3 [.60]	19.2 [.76]

RECOMMENDED PANEL CUT-OUT DIMENSION TABLE
 TABLE 2



JACK SOCKET
 M2 X 0.4

NOTE: JACK SOCKET 12600-S-00 COMES FACTORY INSTALLED IN CONNECTOR 122XX-1150-00FR. IT IS FIXED WITH THREAD LOCKING ADHESIVE AND CANNOT BE REMOVED.

PANEL THICKNESS	CONNECTOR	JACK SOCKET
NO PANEL	122XX-1150-00FR	FACTORY INSTALLED (SEE NOTE)
0.8±0.1MM	122XX-1100-00FR	12600-S-08 (ORDER SEPARATELY)
1.0±0.1MM	122XX-1100-00FR	12600-S-10 (ORDER SEPARATELY)
1.2±0.1MM	122XX-1100-00FR	12600-S-12 (ORDER SEPARATELY)

SELECTION TABLE FOR PANEL MOUNTING
 TABLE 3

ORDERING INFORMATION:
 122XX-11X0-00FR

CONTACT QUANTITY (SEE TABLE 1)

SCREW LOCK OPTION: (SEE TABLE 3)
 0-NONE (RIA E1 & C1 APPLY)
 5-WITH 12600-S-00 NON-REMOVABLE SCREW LOCK (RIA E5 & C3 APPLY)

DESIGN REFERENCE	NEXT ASSEMBLY	REV	ECO	ISSUE DATE AND DESCRIPTION	DRFT	CHKD
				JAN 10, 2011	JNC	SC
DISTRIBUTION CODE		DRFT	CASTIGLIONE	DATE	DATE	DATE
		CHKD		JAN 10, 2011		MAR 29, 2011
DIVISION	DIVISION CODE	© 3M COPYRIGHT 2011				
Interconnect Solutions	ISD	This document and the information it contains are 3M property and may not be reproduced or further distributed without 3M permission, or used or disclosed other than for 3M authorized purposes. All rights reserved.				
DO NOT SCALE DRAWING	SCALE 4/1	TOLERANCES EXCEPT AS NOTED	3M Center St. Paul, MN 55144			
		INCHES	TITLE			
		.00 ±.006	3M SHRUNK DELTA RIBBON (SDR) CONN.			
		.000 ±.006	122XX-11X0-00FR			
		.0000 ±.005	CAGE NUMBER			
THIRD ANGLE PROJECTION		MILLIMETERS	D 78-5100-2126-0			
INTERPRET PER ASME Y14.5 - 1994		0 ±	DRAWING NO.			
		.00 ±.15	D 78-5100-2126-0			
MAX SURFACE ROUGHNESS		.00 ±.15	REV.			
MARKED SURFACES		.000 ±.13	D			
MARKED ONLY		ANGL	MODEL			
			122XX-1150-00			
			DET			
			LISTS YES NO SHT 2 OF 2			

X-ON Electronics

Largest Supplier of Electrical and Electronic Components

Click to view similar products for [Modular Connectors](#) / [Ethernet Connectors](#) category:

Click to view products by [3M](#) manufacturer:

Other Similar products are found below :

[RJE231881317T](#) [MP1010RX-1000](#) [MP44RX-1000](#) [GAX-3-66](#) [GAX-8-62](#) [93606-0253](#) [GD-A-44](#) [GDCX-PA-66-50](#) [GDCX-PN-64](#) [GDCX-PN-66](#) [GDCX-PN-66-50](#) [GDLX-A-66](#) [GDLX-A-88](#) [GDLX-N-66](#) [GDLX-S-88K](#) [GDTX-S-88-50](#) [GDX-PA-1010](#) [GLX-N-1010M-BLK](#) [GLX-N-44M](#) [GLX-S-88M-BLK](#) [GMX-N-1010](#) [GMX-S-1010](#) [GMX-S-66](#) [GMX-SMT2-N-1010](#) [GMX-SMT2-N-64-50](#) [GMX-SMT2-S6-88](#) [GMX-SMT4-N-88](#) [GPX-2-64](#) [GRT1-BT1-5](#) [GSGX-N-2-88](#) [GSX-NS2-88-3.05](#) [GSX-NS2-88-3.05-50](#) [GSX-NS-88-3.05-30](#) [GSX-NS-88-3.05-50](#) [GSX-NS-88-3.68](#) [1-1775629-2](#) [GWLX-S-88-GR](#) [GWLX-S9-88-YG](#) [1300500326](#) [1300500227](#) [1300530003](#) [1300570002](#) [1324640-4](#) [RJ11FTVC2G](#) [RJ11FTVC2N](#) [RJFTVX2SA1G](#) [132764-001](#) [1400000](#) [1413176](#) [1413235](#)