

3M™ Pak 50 Wiremount Socket

.050" Wiremount Socket for .025" Pitch Cable

P25E Series



- P25E connector terminates 30 AWG stranded 0.635 mm (25 mil) pitch flat PVC cable (3754 series)
- Daisy chain capability
- Designed to mate with P50 series IDC boardmount connectors
- Latch/eject mechanism maintains a secure connection
- Cable strain relief standard. No strain relief optional.
- Finished cable assemblies to customer specifications available
- Tooling available for customer cable assembly termination
- RoHS Compliant. See the Regulatory Information Appendix (RIA) in the "RoHS Compliance" section of www.3Mconnector.com for compliance information (RIA E1 and C1 apply)

Date Modified: December 7, 2017

TS-1141-D
Sheet 1 of 2

Physical

Insulator:

Material: Glass Filled Nylon

Flammability: UL 94V-0

Color: Black

Contact Material: Phosphor Bronze

Plating:

Underplating: Nickel

Wiping Area: 0.25 μ m [10 μ "] gold

Termination Area: Gold Flash (RoHS compliant)

Wire Accommodation: 30 AWG Stranded PVC Flat Ribbon Cable (3M #3754 or approved alternate)

Mating Compatibility: TS-1144

Electrical

Current Rating: 0.5 A

Insulation Resistance: $> 1 \times 10^9 \Omega$ at 250 V_{DC}

Withstanding Voltage: 300 V_{AC} for 1 minute

Environmental

Temperature Rating: -55°C to +85°C

UL File No.: E68080

3M™ Pak 50 Wiremount Socket

.050" Wiremount Socket for .025" Pitch Cable

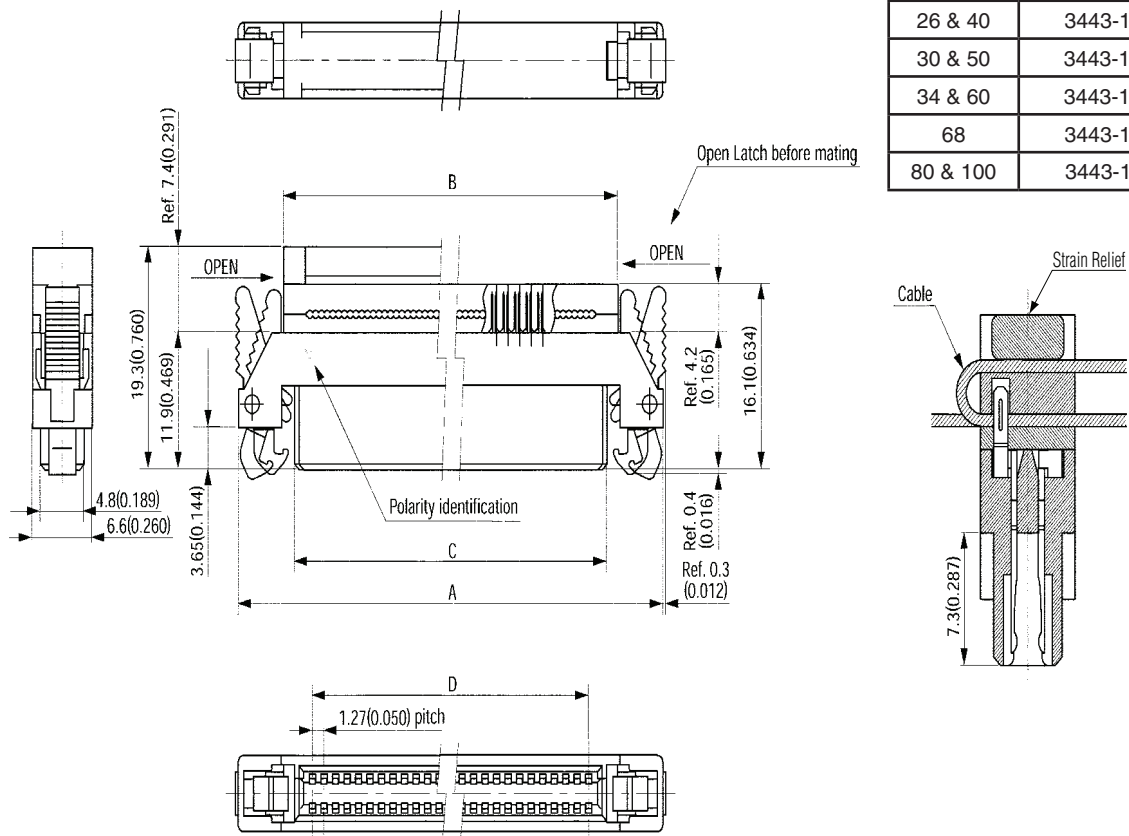
P25E Series

Product Table / Dimensions

Contact Quantity	A	B	C	D
20	27.83 [1.096]	17.83 [0.702]	15.43 [0.607]	11.43 [0.450]
26	31.64 [1.246]	21.64 [0.852]	19.24 [0.757]	15.24 [0.600]
30	34.18 [1.346]	24.18 [0.952]	21.78 [0.857]	17.78 [0.700]
32	35.45 [1.396]	25.45 [1.002]	23.05 [0.907]	19.05 [0.750]
34	36.72 [1.446]	26.72 [1.052]	24.32 [0.957]	20.32 [0.800]
40	40.53 [1.596]	30.53 [1.202]	28.13 [1.107]	24.13 [0.950]

Contact Quantity	A	B	C	D
50	46.88 [1.846]	36.88 [1.452]	34.48 [1.357]	30.48 [1.200]
60	53.23 [2.096]	43.23 [1.702]	40.83 [1.607]	36.83 [1.450]
68	58.31 [2.296]	48.31 [1.902]	45.91 [1.807]	41.91 [1.650]
80	65.93 [2.596]	55.93 [2.202]	53.53 [2.107]	49.53 [1.950]
100	78.63 [3.096]	68.63 [2.702]	66.23 [2.607]	62.23 [2.450]

Conn Size	Locator Plate PN
20 & 32	3443-127A
26 & 40	3443-127B
30 & 50	3443-127C
34 & 60	3443-127D
68	3443-127E
80 & 100	3443-127F



Note: Strain relief standard.

Ordering Information

P25E - XXXS - EA (RIA E1 and C1 apply)

Contact Quantity: _____
See Table

Application tools: Press: 3640 (or equivalent); See application tooling chart above for locator plate; Platen- 3442-126.

TS-1141-D
Sheet 2 of 2

Regulatory: For regulatory information about this product, contact your 3M representative.

Technical Information: The technical information, recommendations and other statements contained in this document are based upon tests or experience that 3M believes are reliable, but the accuracy or completeness of such information is not guaranteed.

Product Use: Many factors beyond 3M's control and uniquely within user's control can affect the use and performance of a 3M product in a particular application. Given the variety of factors that can affect the use and performance of a 3M product, user is solely responsible for evaluating the 3M product and determining whether it is fit for a particular purpose and suitable for user's method of application.

Warranty, Limited Remedy, and Disclaimer: Unless an additional warranty is specifically stated on the applicable 3M product packaging or product literature, 3M warrants that each 3M product meets the applicable 3M product specification at the time 3M ships the product. 3M MAKES NO OTHER WARRANTIES OR CONDITIONS, EXPRESS OR IMPLIED, INCLUDING, BUT NOT LIMITED TO, ANY IMPLIED WARRANTY OR CONDITION OF MERCHANTABILITY OR FITNESS FOR A PARTICULAR PURPOSE OR ANY IMPLIED WARRANTY OR CONDITION ARISING OUT OF A COURSE OF DEALING, CUSTOM OR USAGE OR TRADE. If the 3M product does not conform to this warranty, then the sole and exclusive remedy is, at 3M's option, replacement of the 3M product or refund of the purchase price.

Limitation of Liability: Except where prohibited by law, 3M will not be liable for any loss or damage arising from the 3M product, whether direct, indirect, special, incidental or consequential, regardless of the legal theory asserted, including warranty, contract, negligence or strict liability.



3M Electronics Materials Solutions Division
6801 River Place Blvd.
Austin, TX 78726-9000
U.S.A.
1-800-225-5373
www.3Mconnectors.com

3M is a trademark of 3M Company.
Please recycle. Printed in USA.
© 3M 2017. All rights reserved.
RIA-2217B-E

X-ON Electronics

Largest Supplier of Electrical and Electronic Components

Click to view similar products for [Headers & Wire Housings](#) category:

Click to view products by [3M](#) manufacturer:

Other Similar products are found below :

[95000-104TRLF](#) [10135584-644402LF](#) [DF62W-EP2022PCA](#) [95000-106TRLF](#) [DF62W-2022SCA](#) [DF62W-EP2022PC](#) [2203348](#) [DF62W-2022SC](#) [1084018](#) [1029039](#) [1084017](#) [802-10-012-10-002000](#) [1112640](#) [1112639](#) [000-34000](#) [0009482033](#) [0009507031](#) [57102-S06-03LF](#) [57202-S52-04LF](#) [PCN6-15S-2.5E](#) [0039019024](#) [58102-G61-06LF](#) [582553-1](#) [0009508121](#) [0022285053](#) [0050291907](#) [018731A](#) [LY20-4P-DT1-P1E-BR](#) [02.125.8002.8](#) [60101931](#) [60598-1 \(Cut Strip\)](#) [M1625-3R/100](#) [61062-3](#) [61082-181009](#) [636-1427](#) [638009-1](#) [641938-9](#) [641991-4](#) [644168-1](#) [644827-2](#) [647662-1](#) [65039-019ELF](#) [65817-002LF](#) [65817-015LF](#) [65863-015LF](#) [66207-023LF](#) [67016-026LF](#) [67046-001LF](#) [67095-007LF](#) [68002-116](#)