

3M™ Serial Attached SCSI (SAS) Connector
Boardmount Through-Hole, Vertical Receptacle, 29 PIN, SBR Series

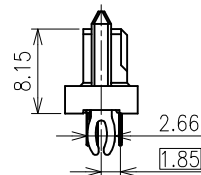
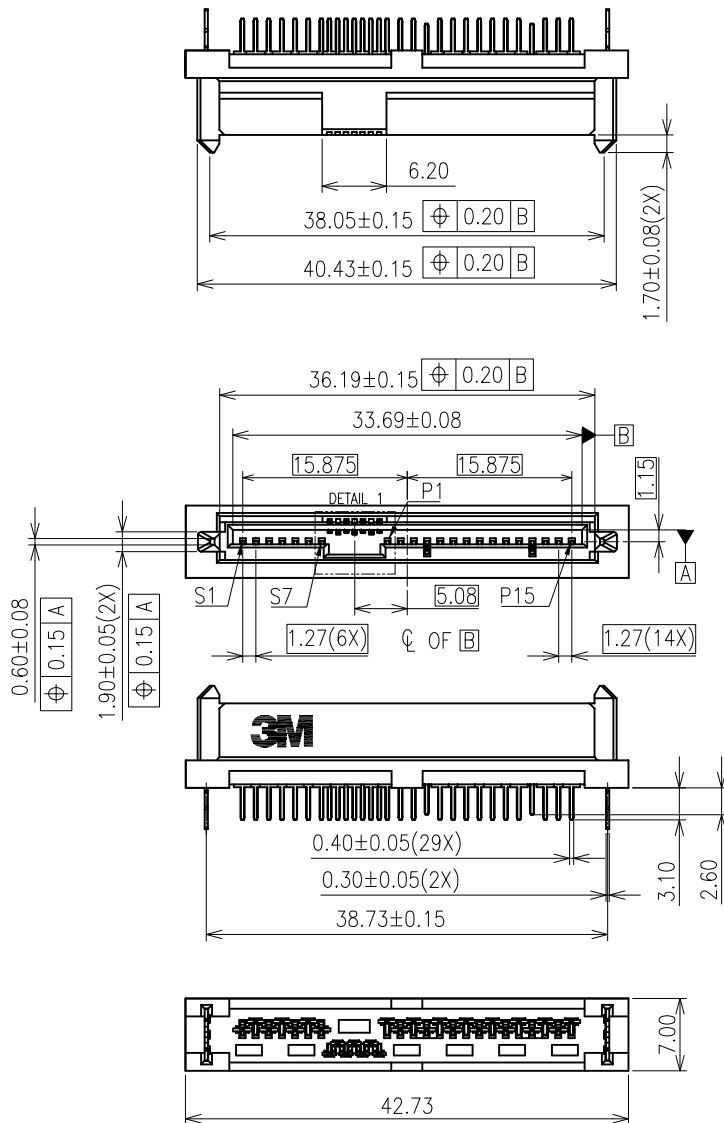
REVISION RECORD		
REV.	ECR/ECN/ECO NUMBER	DATE
E	ECO-0042731	29/11/12

NOTES:

- RoHS COMPLIANT. SEE REGULATORY INFORMATION APPENDIX IN "RoHS COMPLIANCE" SECTION AT www.3Mconnectors.com (E1 & C1 APPLY)
- MEETS SPECIFICATION SAS 2.1
COMPLIANT TO SFF-8223, SFF-8323, SFF-8523, SFF-8482 REV 2.2
- UNLESS OTHERWISE NOTED, REFERENCES TO INDUSTRY SPECIFICATIONS ARE INTENDED TO INDICATE SUBSTANTIAL COMPLIANCE TO THE MATERIAL ELEMENTS OF THE SPECIFICATION. SUCH REFERENCES SHOULD NOT BE CONSTRUED AS A GUARANTEE OF COMPLIANCE TO ALL REQUIREMENTS IN A GIVEN SPECIFICATION."
- PHYSICAL:
HOUSING: HIGH TEMPERATURE THERMOPLASTIC, BLACK, UL94V-0
CONTACT: COPPER ALLOY
- ELECTRICAL:
CURRENT RATING: POWER PIN: 1.5A
SIGNAL PIN: 500mA
INSULATION RESISTANCE: $10^3 \text{ M}\Omega$ min.
WITHSTANDING VOLTAGE: $500V_{ac}$ AT SEA LEVEL
- ENVIRONMENTAL:
OPERATING TEMPERATURE RANGE: -40°C TO $+85^\circ\text{C}$
- UL FILE NO. E68080
- ORDERING INFORMATION:
SBR-ST-29-S-ML

PLATING:

- ML: 30u" MIN. Au AT MATING AREA
- : 50u" MIN. Ni UNDERPLATE
- : 100u" MIN. Sn AT TERMINATION AREA

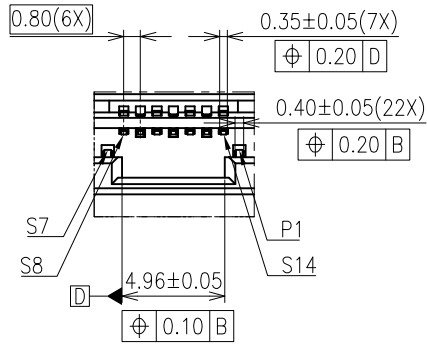


Visit <http://www.3Mconnectors.com>

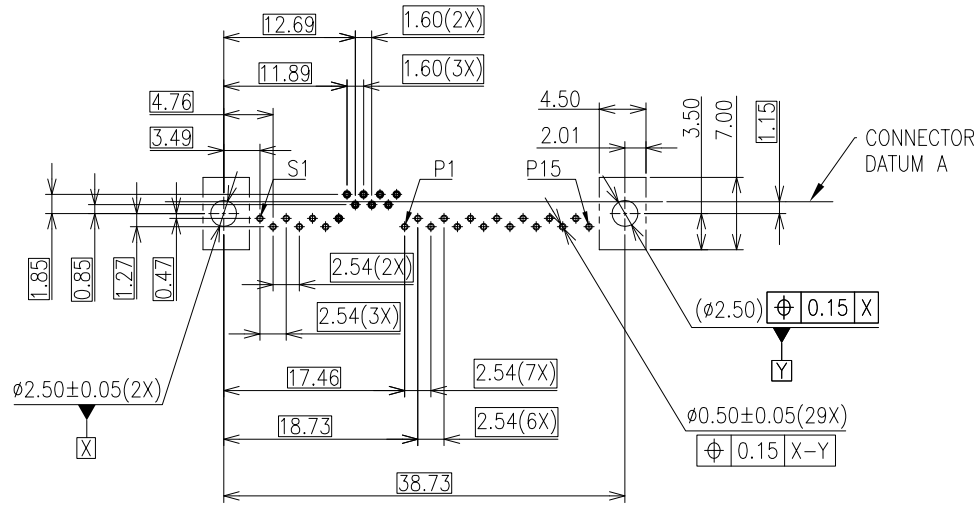
UNIT: MM	DFTG OH KIM CHYE	DATE 29/11/12	3M APAC INNOVATION CENTRE	DIVISION ESD	STATUS RELEASED
GEN. TOLERANCES	CHKD QIAO YUN LONG	DATE 29/11/12		MODEL	
LINEAR .0 = ± 0.25 .00 = ± 0.15 .000 = ± 0.05	APPVL ALAN ANG	DATE 29/11/12	TITLE Serial Attached SCSI (SAS) Connector Boardmount Through-Hole, Vertical Receptacle, 29 PIN		
ANGLE = $\pm 3^\circ$	THIS DOCUMENT CONTAINS INFORMATION WHICH IS PROPRIETARY TO 3M COMPANY. NO REPRODUCTION OR PUBLICATION OF THIS DOCUMENT, IN WHOLE OR IN PART, SHALL BE MADE WITHOUT AUTHORIZATION FROM 3M. ©3M 2013. ALL RIGHTS RESERVED.		SIZE A3	DRAWING NO. 78-5100-2204-5	REV E
PROJECTION	INTERPRET PER ASME Y14.5M-1994	CRITICAL DIMENSION: ▲	SCALE : 2:1	DET LIST <input type="checkbox"/> YES <input type="checkbox"/> NO	SHT 1 of 2

3M™ Serial Attached SCSI (SAS) Connector
Boardmount Through-Hole, Vertical Receptacle, 29 PIN, SBR Series

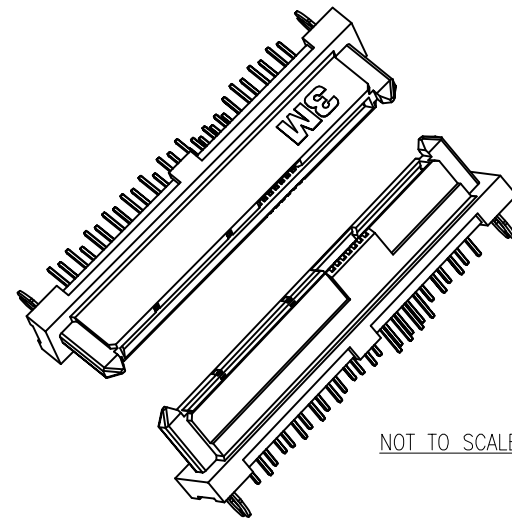
REVISION RECORD		
REV.	ECR/ECN/ECO NUMBER	DATE
REFER TO SHT 1 of 2		



DETAIL 1
SCALE: 4:1



RECOMMENDED PCB LAYOUT
PCB THICKNESS 1.50 TO 2.50



Visit <http://www.3Mconnectors.com>

UNIT: MM	DFTG OH KIM CHYE	DATE 29/11/12		DIVISION ESD	STATUS RELEASED
GEN. TOLERANCES	CHKD QIAO YUN LONG	DATE 29/11/12		MODEL	
LINEAR .0 =±0.25 .00 =±0.15 ±0.20 .000=±0.05	APPVL ALAN ANG	DATE 29/11/12	TITLE Serial Attached SCSI (SAS) Connector Boardmount Through-Hole, Vertical Receptacle, 29 PIN		
ANGLE=±± 3°	THIS DOCUMENT CONTAINS INFORMATION WHICH IS PROPRIETARY TO 3M COMPANY. NO REPRODUCTION OR PUBLICATION OF THIS DOCUMENT, IN WHOLE OR IN PART, SHALL BE MADE WITHOUT AUTHORIZATION FROM 3M. ©3M 2013. ALL RIGHTS RESERVED.		SIZE A3	DRAWING NO. 78-5100-2204-5	REV E
PROJECTION	INTERPRET PER ASME Y14.5M-1994		SCALE : 2:1		
	CRITICAL DIMENSION: ▲		DET LIST <input type="checkbox"/> YES <input type="checkbox"/> NO		
			SHT 2 of 2		

X-ON Electronics

Largest Supplier of Electrical and Electronic Components

Click to view similar products for [I/O Connectors](#) category:

Click to view products by [3M](#) manufacturer:

Other Similar products are found below :

[571763P](#) [58098-0628](#) [D20419-211](#) [D38999/20FJ24PA L/C](#) [D38999/20FJ29SB L/C](#) [D38999/24FG11SN L/C](#) [72.250.1628.2](#) [72.250.2428.2](#)
[74720-0505](#) [76.350.0729.0](#) [76871-1403](#) [FCN-244F080-G/1](#) [FCN-260A9920](#) [FCN-268D024-G/2F#10X-R10](#) [PCS-E50FA](#) [PCS-XE26LKA](#)
[PCS-XE26MA+](#) [PCS-XES68MS+](#) [G38A71314B](#) [DX40-50P\(55\)](#) [1571250010](#) [157-22500-3](#) [MS3471L14-19P L/C](#) [1888020-8](#) [91-569786-](#)
[35H](#) [91-569786-35M](#) [91-644626-35P](#) [SM3100F14S-58S](#) [172501-4002](#) [172501-6002](#) [FCN-260C008-A/L0](#) [FCN-260C024-AL0](#) [FCN-](#)
[261Z008](#) [FCN-268D008-G/1K](#) [2000314-1](#) [200331-1](#) [2007498-2](#) [PCR-E28LMDAG1+](#) [PCR-E36FC+](#) [PCS-E28FS+](#) [PCS-XE26SLFD+](#) [PCS-](#)
[XE26SLFDT+](#) [G38A71214B](#) [HDRA-E68W1LFDTC-SL+](#) [HDR-E14MSG1+](#) [R88A-CNK81S](#) [CRT1-ATT02](#) [54182-0605](#) [U90B2054081210](#)
[UE86K842720321](#)