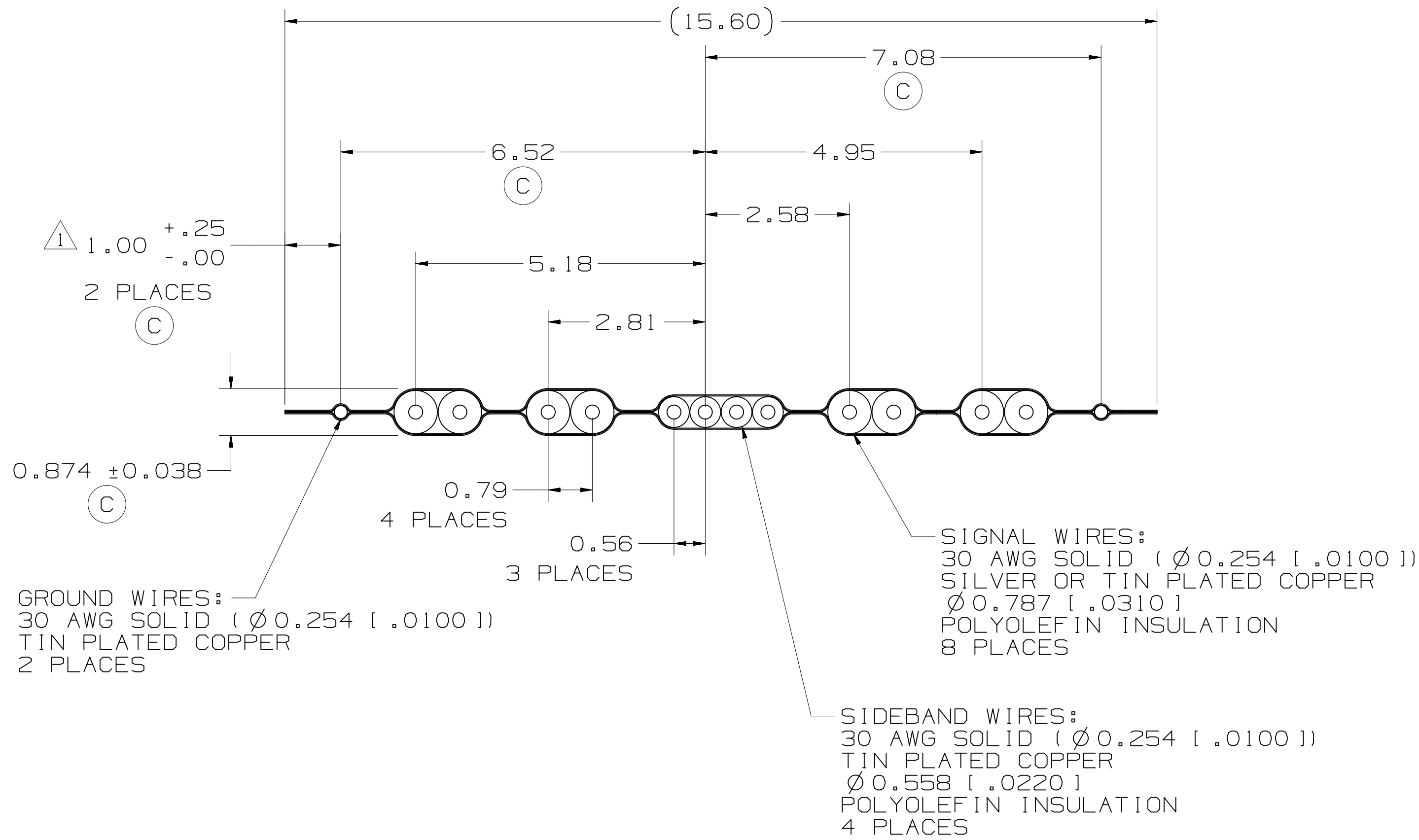


# 3M™ TWIN AXIAL CABLE, SL8800 SERIES



## NOTES

- DIMENSIONS ARE IN MILLIMETERS.
- PHYSICAL:  
COLOR: SILVER  
MARKING:  
3M (part number) 30 AWG (signal plating) [VW1] (lot code)  
  
EXAMPLE:  
3M SL8801/12-10DA5-00 30 AWG SILVER TW602-1  
  
EXAMPLE VW1:  
3M SL8801/12-1FDG5-00 30 AWG SILVER VW1 TW602-1
- REGULATORY INFORMATION:  
ROHS COMPLIANT. SEE THE REGULATORY INFORMATION APPENDIX (RIA) IN THE "ROHS COMPLIANCE" SECTION OF WWW.3MCONNECTORS.COM FOR COMPLIANCE INFORMATION (RIA E1 & C1 APPLY)  
  
UL FILE NUMBER: E42769
- THE OUTER SURFACE OF THE RIBBON CABLE HAS A METALLIC APPEARANCE, BUT IS NOT CONDUCTIVE. THERE IS A TRANSLUCENT POLYESTER OUTER LAYER OVER AN ALUMINUM SHIELDING LAYER, WHICH GIVES THIS APPEARANCE.  
  
THIS CABLE CONSTRUCTION HAS A THIN ALUMINUM LAYER AT EACH EDGE. USER SHOULD EVALUATE ITS USE IN THEIR APPLICATION AND, IF NECESSARY, INSULATING TAPE MAY BE APPLIED TO COVER THE ALUMINUM LAYER, AS USER DEEMS APPROPRIATE.
- FOIL AND INSULATOR STRIPPING BLADE DESIGN DRAWINGS ARE AVAILABLE UPON REQUEST.  
TOOLING REFERENCE NUMBER: NU6D
- Ⓢ DENOTES CRITICAL DIMENSION.

		HORIZONTAL FLAME VERSION	VW1 VERSION
SIGNAL WIRE PLATING	SILVER	SL8801/12-10DA5-00	SL8801/12-1FDG5-00
	TIN	SL8801/12-11DA5-00	SL8801/12-1GDG5-00
PRODUCT SPEC.		PS-0105	PS-0163
IMPEDANCE SPEC.		100 ±5 OHMS	95 ±5 OHMS

DESIGN REFERENCE NEXT ASSEMBLY

ACCESS CODES

DIVISION DIVISION CODE

DO NOT SCALE DRAWING SCALE 15/1 TOLERANCES EXCEPT AS NOTED

THIRD ANGLE PROJECTION

INTERPRET PER ASME Y14.5 - 2009

MAX SURFACE ROUGHNESS 125

INCHES MILLIMETERS

ANGLES ±1°

E	79896	AUG 07, 2018	LDS	MML
		ADDED CRITICAL DIM SYMBOLS		
		ADDED NOTE 6		
		⚠ REVISED TOLERANCE		
REV	ECO	ISSUE DATE AND DESCRIPTION	DRFT	CHKD
DRFT	MWL	DATE MAR 04, 2011	MFG	DATE
CHKD	RE	DATE MAR 04, 2011	APPVL	DATE
		© 3M COPYRIGHT 2018 This document and the information it contains are 3M property and may not be reproduced or further distributed without 3M permission, or used or disclosed other than for 3M authorized purposes. All rights reserved.		
		TITLE SL8801/12-1XDX5-00, 100 OHM, 30 AWG, 4PR, 4SBC		
CAGE NUMBER	SIZE	DRAWING NO.	REV.	
	C	78-5100-2412-4	E	
MODEL		DET.	SHT 1 OF 2	
		LISTS	YES	NO

Regulatory: For regulatory information about this product, visit 3M.com/regs or contact your 3M representative.


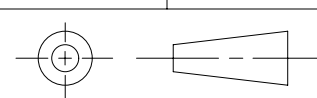
Technical Information: The technical information, recommendations and other statements contained in this document are based upon tests or experience that 3M believes are reliable, but the accuracy or completeness of such information is not guaranteed.

Product Use: Many factors beyond 3M's control and uniquely within user's control can affect the use and performance of a 3M product in a particular application. Given the variety of factors that can affect the use and performance of a 3M product, user is solely responsible for evaluating the 3M product and determining whether it is fit for a particular purpose and suitable for user's method of application.

Warranty, Limited Remedy, and Disclaimer: Unless an additional warranty is specifically stated on the applicable 3M product packaging or product literature, 3M warrants that each 3M product meets the applicable 3M product specification at the time 3M ships the product. 3M MAKES NO OTHER WARRANTIES OR CONDITIONS, EXPRESS OR IMPLIED, INCLUDING, BUT NOT LIMITED TO, ANY IMPLIED WARRANTY OR CONDITION OF MERCHANTABILITY OR FITNESS FOR A PARTICULAR PURPOSE OR ANY IMPLIED WARRANTY OR CONDITION ARISING OUT OF A COURSE OF DEALING, CUSTOM OR USAGE OR TRADE. If the 3M product does not conform to this warranty, then the sole and exclusive remedy is, at 3M's option, replacement of the 3M product or refund of the purchase price.

Limitation of Liability: Except where prohibited by law, 3M will not be liable for any loss or damage arising from the 3M product, whether direct, indirect, special, incidental or consequential, regardless of the legal theory asserted, including warranty, contract, negligence or strict liability.

3M Electronics Materials Solutions Division  
 6801 River Place Blvd.  
 Austin, TX 78726-9000  
 1-800-225-5373  
 www.3M.com/interconnect

DESIGN REFERENCE	NEXT ASSEMBLY	REV	ECO	ISSUE DATE AND DESCRIPTION	DRFT	CHKD
ACCESS CODES		DRFT	MWL	DATE MAR 04, 2011	MFG	DATE
		CHKD	RE	DATE MAR 04, 2011	APPVL	DATE
DIVISION	DIVISION CODE	 3M Center St. Paul, MN 55144 © 3M COPYRIGHT 2018 This document and the information it contains are 3M property and may not be reproduced or further distributed without 3M permission, or used or disclosed other than for 3M authorized purposes. All rights reserved.				
DO NOT SCALE DRAWING	SCALE 1/1	TOLERANCES EXCEPT AS NOTED INCHES .0 ± .00 ± .000 ± .0000 ± MILLIMETERS 0 ± .0 ± .00 ± 0.10 .000 ± ANGLES ± 1°				
THIRD ANGLE PROJECTION		TITLE SL8801/12-1XDX5-00, 100 OHM, 30 AWG, 4PR, 4SBC				
INTERPRET PER ASME Y14.5 - 2009		CAGE NUMBER	SIZE	DRAWING NO.	REV.	
MAX SURFACE ROUGHNESS 125 <input type="checkbox"/> ALL SURFACES <input checked="" type="checkbox"/> MARKED ONLY		C		78-5100-2412-4	E	
		MODEL		DET. LISTS	<input type="checkbox"/> YES <input checked="" type="checkbox"/> NO	SHT 2 OF 2

E REVISION  
 78-5100-2412-4 DRAWING NUMBER  
 UTC Off-set (hrs) 6  
 Standard Time 8/7/2018  
 Imaged: Central

## X-ON Electronics

Largest Supplier of Electrical and Electronic Components

*Click to view similar products for [Flat Cables](#) category:*

*Click to view products by [3M](#) manufacturer:*

Other Similar products are found below :

[F28-A25G](#) [F28-A34G](#) [F28-A36G](#) [FST-23A-15](#) [AYT1510-US](#) [171-37G](#) [C336514-500](#) [902220736002000](#) [902220736006000](#) [28100-0614](#)  
[9L28010-008-H300](#) [9L28014-008-H300](#) [F28-A24G](#) [F28-A60G](#) [25WDY00002](#) [28100-0571](#) [28100-0602](#) [28100-0650](#) [28100-0664](#) [336506-](#)  
[100SF](#) [336512-300](#) [336518](#) [336537-CUT-LENGTH](#) [3447/10-100](#) [362514100MSF](#) [40WDY00005](#) [AYT51163](#) [336506-300](#) [C3302/16](#)  
[C374910](#) [3749/10-100](#) [375630](#) [3-971111-6](#) [1-1437356-3](#) [812504](#) [20WDY00001](#) [5-1437214-8](#) [3355/15](#) [40WBY00007](#) [3609/12](#) [5111196336](#)  
[607.5689.087](#) [607.5689.091](#) [3801/04](#) [3754/12](#) [3625/22100MSF](#) [902220736005000](#) [902220736004000](#) [C3811/10-100](#) [3625/22-30M](#)