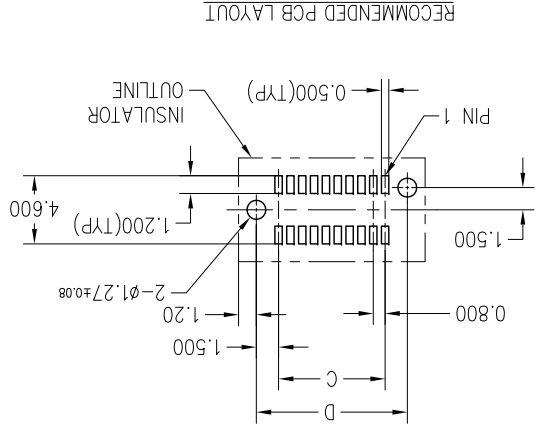
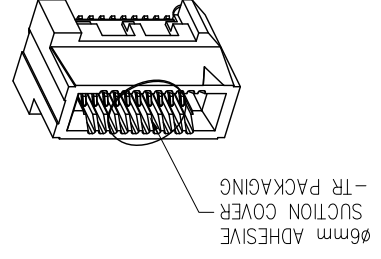
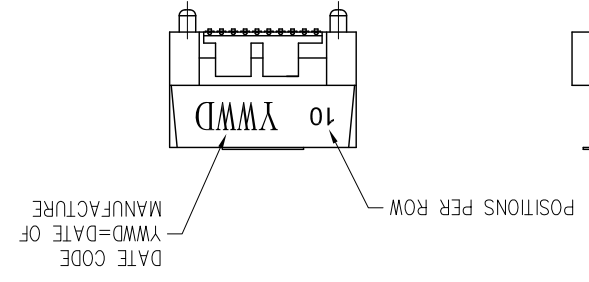
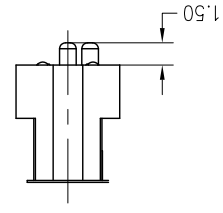
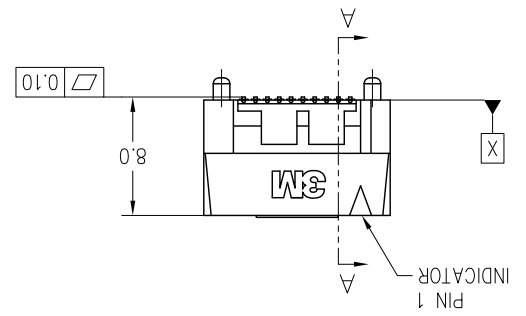
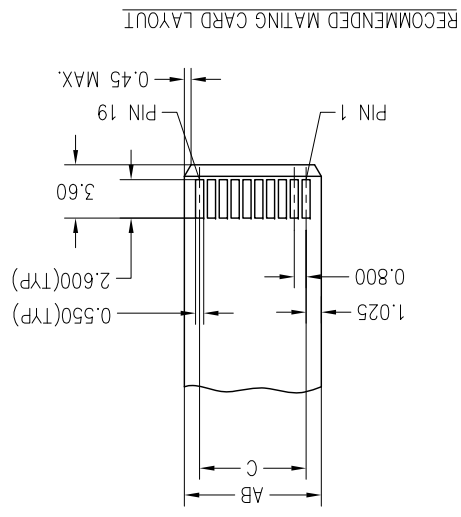
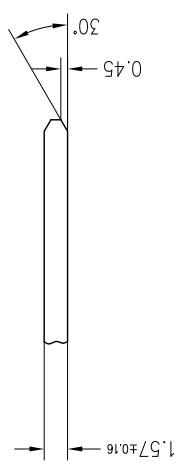
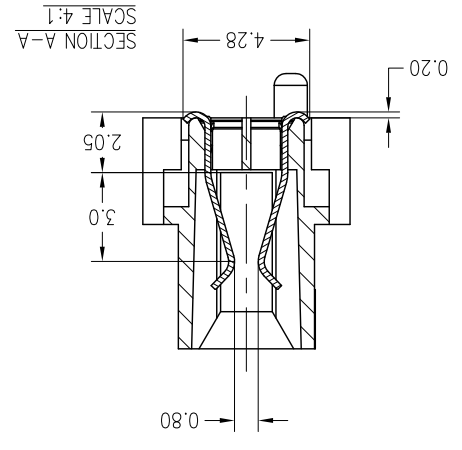
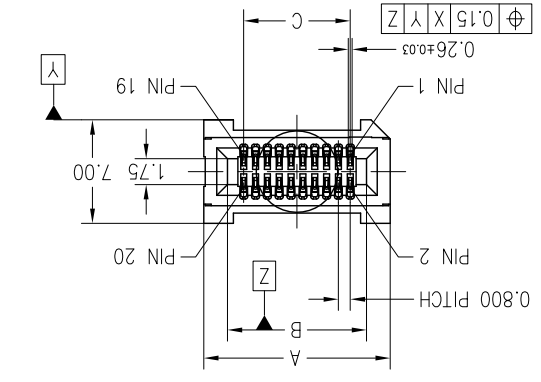


# 3M™ HIGH SPEED CARD-EDGE CONNECTOR, SPD08 SERIES

FIG. 1  
FOR POSITIONS 020, 040, 060,  
W/O LATCH TYPE  
(SHOWN: SPD08-020-XX-TR)



POSITIONS	DIMENSIONS						
	A	B	C	D	AB		
20	12.60	9.40	7.200	10.20	9.25		
40	20.60	17.40	15.200	18.20	17.25		
60	28.60	25.40	23.200	26.20	25.25		

REVISION HISTORY

REV	DATE	DESCRIPTION
B	16 JUL 2013	KDLU
A	11 MAY 2011	KDLU

DATE: 05/11/11  
DRAFT: K.D. LIU

## SPD08-XXX-X-XX-XX

NO. OF POSITIONS: 180, 200 (SEE FIG. 2, 4)  
 LATCHING OPTION (SEE FIG. 3, 4)  
 PLATING OPTION (SEE FIG. 3, 4)  
 TR=TAPE & REEL  
 BLANK=TRAY  
 PACKAGING OPTION  
 RB=0.76um MIN. GOLD  
 RC=0.38um MIN. GOLD  
 RA=0.25um MIN. GOLD

1. MATERIAL:  
HOUSING: GLASS FILLED LCP, BLACK, UL 94V-0  
LATCH: GLASS FILLED LCP, BEIGE, UL 94V-0  
CONTACT: COPPER ALLOY  
SOLDER TAB: COPPER ALLOY
2. FINISH:  
GOLD PLATING ON CONTACT WIPING AREA,  
3-5um MATTE TIN ON SOLDER TAILS,  
1.27um NICKEL UNDER PLATED.
3. RATING:  
CURRENT: 3.0A, SINGLE CONTACT POWERED,  
1.2A, ALL CONTACTS POWERED.  
VOLTAGE: 250V AC
- TEMPERATURE: -55 TO +125°C  
 PROCESS TEMP: 260°C MAX. (PROFILE PER J-STD-020C)  
 MOISTURE SENSITIVITY LEVEL: 1 (PER J-STD-020C)  
 CONTACT RESISTANCE: 20mΩ MAX.  
 CHARACTERISTIC IMPEDANCE: FOR USE WITH 100 Ω  
 OR 85 Ω DIFFERENTIAL-PAIR SYSTEMS, OR 50 Ω  
 SINGLE-ENDED SYSTEM.  
 BANDWIDTH: 15Gbps (RATED @ -3dB INSERTION LOSS,  
 30mm STACK HEIGHT BOARD TO BOARD APPLICATION)  
 4. ROHS COMPLIANT.
5. RECOMMENDED PACKAGING:  
 W/O LATCH TYPE: 20~160POS., T&R; 180~200POS., TRAY  
 WITH LATCH TYPE: 20~120POS., T&R; 140~200POS., TRAY
6. PART NUMBERING INFORMATION:  
 SPD08-XXX-X-XX-XX  
 NO. OF POSITIONS (SEE FIG. 1, 3)  
 020, 040, 060 (SEE FIG. 1, 3)  
 050, 080, 100, 120, 140, 160,  
 180, 200 (SEE FIG. 2, 4)  
 LATCHING OPTION (SEE FIG. 3, 4)  
 PLATING OPTION (SEE FIG. 3, 4)  
 TR=TAPE & REEL  
 BLANK=TRAY  
 PACKAGING OPTION

3M CORPORATION  
 ST. PAUL, MN 55144  
 THIS DOCUMENT IS THE COPYRIGHTED PROPERTY OF 3M COMPANY AND MAY NOT BE REPRODUCED WITHOUT 3M WRITTEN PERMISSION OR USED FOR OTHER THAN 3M AUTHORIZED PURPOSES.

ESD DIVISION CODE

DO NOT SCALE DRAWING 2:1

THIRD ANGLE PROJECTION

MAX SURFACE ROUGHNESS  
 ASME Y14.5 - 1994

ANGLES ±	0.00 ±	0.05
	0.10 ±	0.20
	0.20 ±	0.50

INTERRUPT PER MILLIMETERS

TOLERANCES EXCEPT AS NOTED

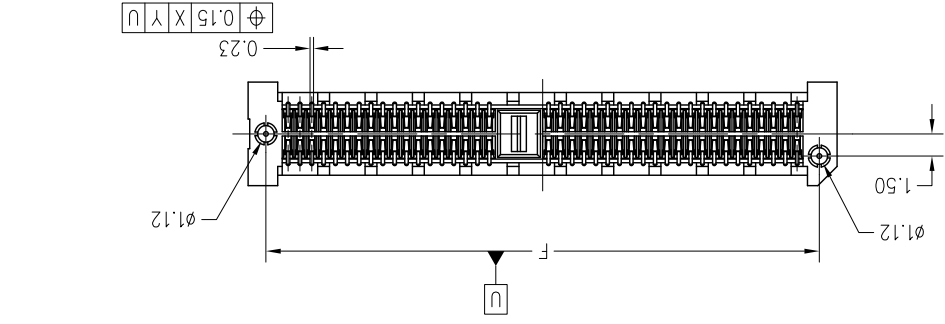
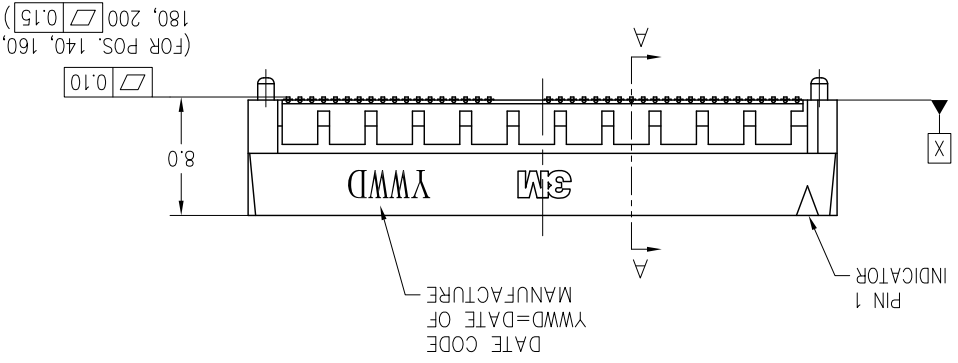
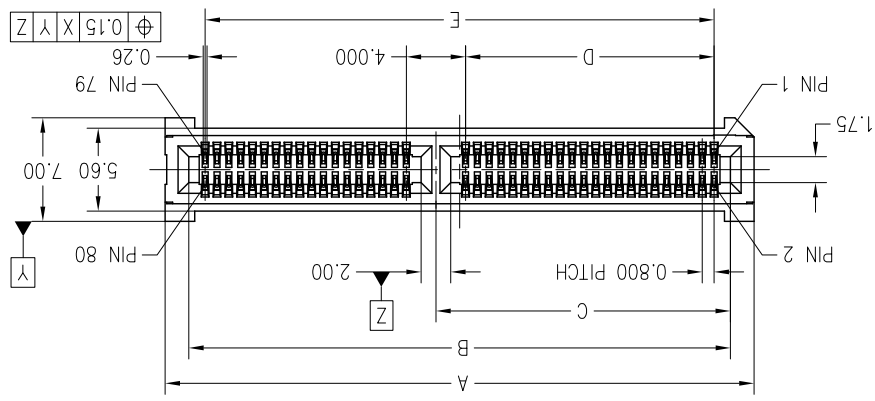
DIVISION CODE

DESIGN REFERENCE NEXT ASSEMBLY

DATE: 05/11/11  
 DATE: 05/11/11  
 DATE: 05/11/11

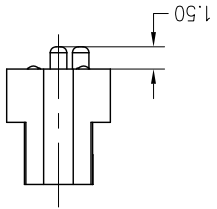
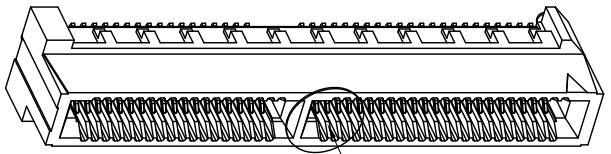
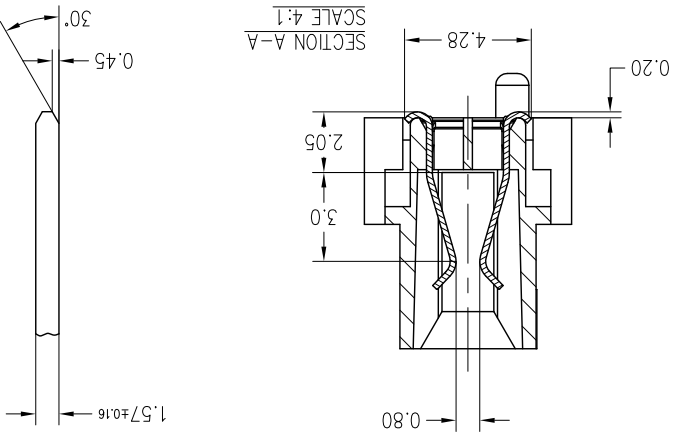
# 3M™ HIGH SPEED CARD-EDGE CONNECTOR, SPD08 SERIES

### FIG. 2 FOR POSITIONS 050, 080, 100, 120, 140, 160, 180, 200, W/O LATCH TYPE (SHOWN: SPD08-080-XX-TR)

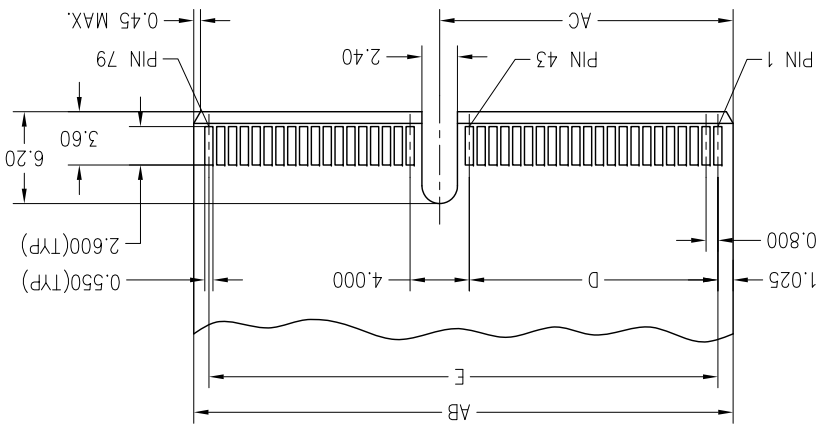


POSITIONS	A	B	C	D	E	F	AB	AC
50	27.80	24.60	7.10	4.000	22.400	25.40	24.45	7.025
80	39.80	36.60	19.90	16.800	34.400	37.40	36.45	19.825
100	47.80	44.60	23.90	20.800	42.400	45.40	44.45	23.825
120	55.80	52.60	27.90	24.800	50.400	53.40	52.45	27.825
140	63.80	60.60	27.90	24.800	58.400	61.40	60.45	27.825
160	71.80	68.60	27.90	24.800	66.400	69.40	68.45	27.825
180	79.80	76.60	27.90	24.800	74.400	77.40	76.45	27.825
200	87.80	84.60	27.90	24.800	82.400	85.40	84.45	27.825

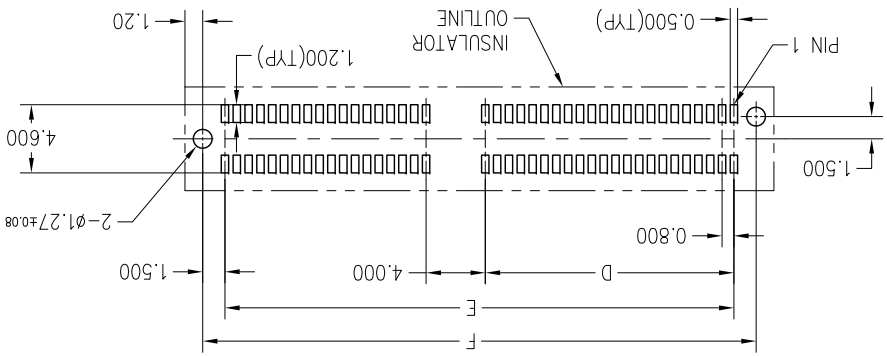
### DIMENSIONS



### RECOMMENDED MATING CARD LAYOUT



### RECOMMENDED PCB LAYOUT



DESIGN REFERENCE DIVISION CODE DISTRIBUION CODES DRAFT DATE MFG DATE APPL DATE CHKD DATE	NEXT ASSEMBLY REV ECO ISSUE DATE AND DESCRIPTION DRAFT CHKD	ESD DO NOT SCALE DRAWING SCALE 2:1 THIRDA ANGLE PROJECTION	MAX SURFACE ROUGHNESS ALL SURFACES MARKED ONLY INTERPRET PER ASME Y14.5 - 1994 MILLIMETERS 0 ± 0.50 0 ± 0.20 0.10 ± 0.05 0.00 ± 0.00	ANGLES # 3 MODEL 78-5100-2420-7 DRAWING NO. CAGE NUMBER SIZE DET. LISTS YES NO SHT 2 OF 4	DIVISION ESD TOLERANCES EXCEPT AS NOTED INCHES 0 ± 0.005 0 ± 0.005 0.005 ± 0.000	THIS DOCUMENT IS THE COPYRIGHTED PROPERTY OF 3M COMPANY AND MAY NOT BE REPRODUCED WITHOUT THE WRITTEN PERMISSION OF 3M CENTER ST. PAUL, MN 55144	TITLE SPD08 HIGH SPEED CARD EDGE CONNECTOR, 0.8MM PITCH SMT	REV B REV DATE 05/11/11	DRAFT DATE 05/11/11
--	--	--	---	--	--	---	---	----------------------------------	---------------------------

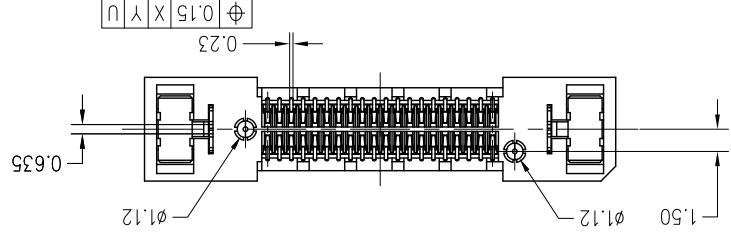
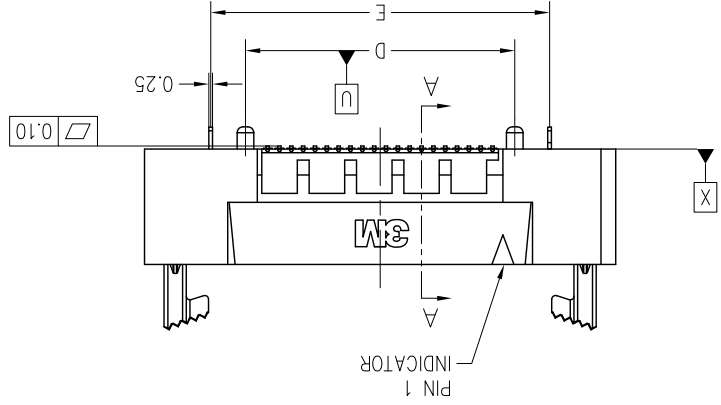
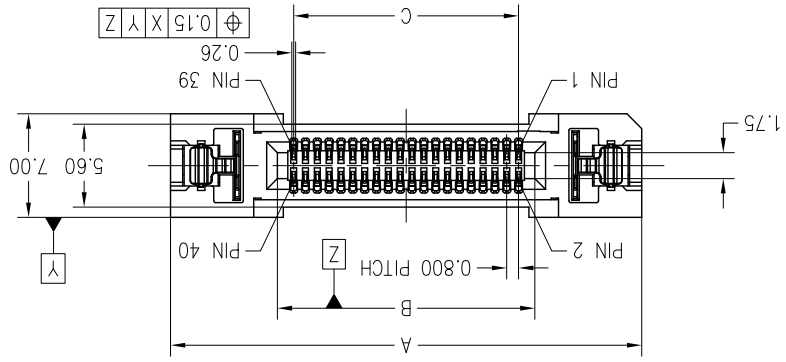
DRAWING NUMBER  
REVISION

A B C D

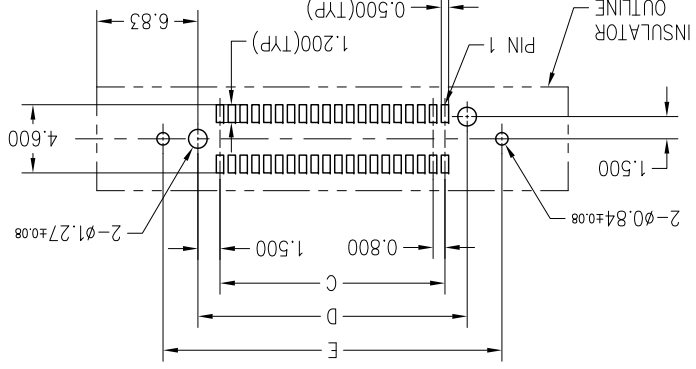
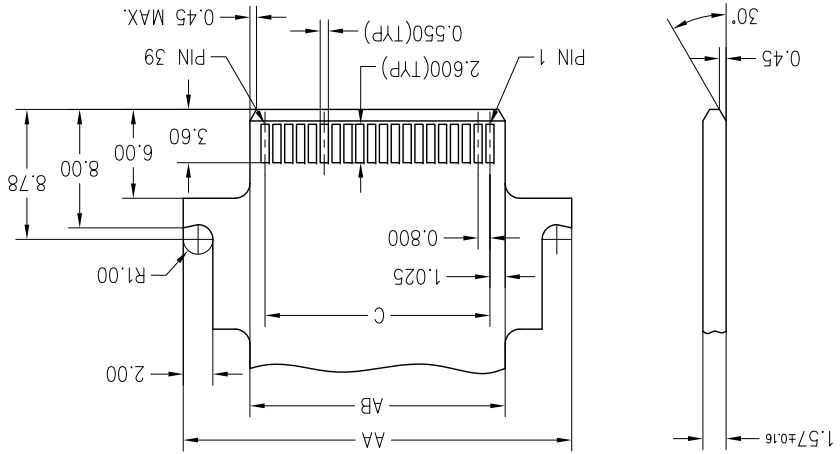
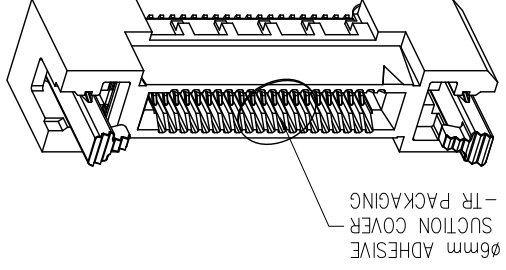
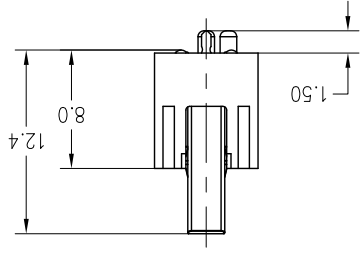
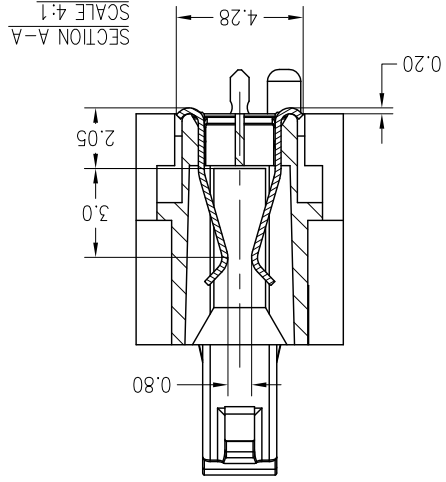
1 2 3 4

3M™ HIGH SPEED CARD-EDGE CONNECTOR, SPD08 SERIES

FIG. 3  
FOR POSITIONS 020, 040, 060,  
WITH LATCH TYPE  
(SHOWN: SPD08-040-L-XX-TR)



POSITIONS		DIMENSIONS							
AB	AA	E	D	C	B	A	20	40	60
AB	AA	E	D	C	B	A	20	40	60
18.25	18.25	14.90	10.20	7.200	9.40	23.85	9.25	31.85	39.85
9.25	9.25	9.40	7.200	15.200	17.40	25.40	9.25	31.85	39.85
9.25	9.25	14.90	10.20	15.200	17.40	25.40	9.25	31.85	39.85
18.25	18.25	14.90	10.20	7.200	9.40	23.85	9.25	31.85	39.85
26.25	26.25	22.90	18.20	15.200	17.40	25.40	17.25	31.85	39.85
34.25	34.25	22.90	18.20	15.200	17.40	25.40	17.25	31.85	39.85
25.25	25.25	30.90	26.20	23.200	26.20	30.90	25.25	31.85	39.85



REV. B	78-5100-2420-7	SPD08 HIGH SPEED CARD EDGE CONNECTOR, 0.8MM PITCH SMT
DATE	DATE	ISSUE DATE AND DESCRIPTION
CHKD	DATE	APPL
DISTRI	DRAFT	CHKD
DESIGN REFERENCE	REVISION	DATE
ANGLES #	MODEL	DEF. LISTS
MAX SURFACE ROUGHNESS	INTERPRET PER	ASME Y14.5 - 1994
THIRD ANGLE PROJECTION	DO NOT SCALE DRAWING	SCALE
DIVISION	ESD	DIVISION CODE
ST. PAUL, MN 55144	ST. PAUL, MN 55144	ST. PAUL, MN 55144
DATE	DATE	DATE
DATE	DATE	DATE

DRAWING NUMBER  
REVISION

A  
B  
C  
D

1 2 3 4

1 2 3 4



## X-ON Electronics

Largest Supplier of Electrical and Electronic Components

*Click to view similar products for [Standard Card Edge Connectors](#) category:*

*Click to view products by [3M](#) manufacturer:*

Other Similar products are found below :

[6565204-6](#) [PKC-156](#) [1437274-4](#) [147889-1](#) [1489165-4](#) [EBT156-12B1X](#) [EBT15622B2X](#) [EBT156-22R2W](#) [1-582587-1](#) [1-582589-1](#) [2-6437275-9](#) [284-0102-12100](#) [306022901000000](#) [307-012-502-202](#) [307-024-526-201](#) [307-056-520-300](#) [307-080-526-208](#) [1926088-2](#) [245-062-520-350](#) [287-0032-12101](#) [306-010-500-112](#) [306-028-525-102](#) [306-240-318](#) [307-036-502-202](#) [307-036-521-301](#) [307-072-526-202](#) [345-060-559-303](#) [368-004-520-201](#) [392-008-559-201](#) [534671-1](#) [5-530501-5](#) [341-240-317](#) [345-029-520-300](#) [345-030-500-301](#) [345-044-500-300](#) [345-220-058](#) [346-240-318](#) [387-012-523-300](#) [395-044-520-300](#) [395-100-524-300](#) [50-12B-10](#) [50-6SN-5](#) [09-07-2032](#) [10035388-106LF](#) [10035388-802LF](#) [10115859-011LF](#) [10122859-009LF](#) [101269333204245CLF](#) [10127905-B04B24BLF](#) [530555-1](#)