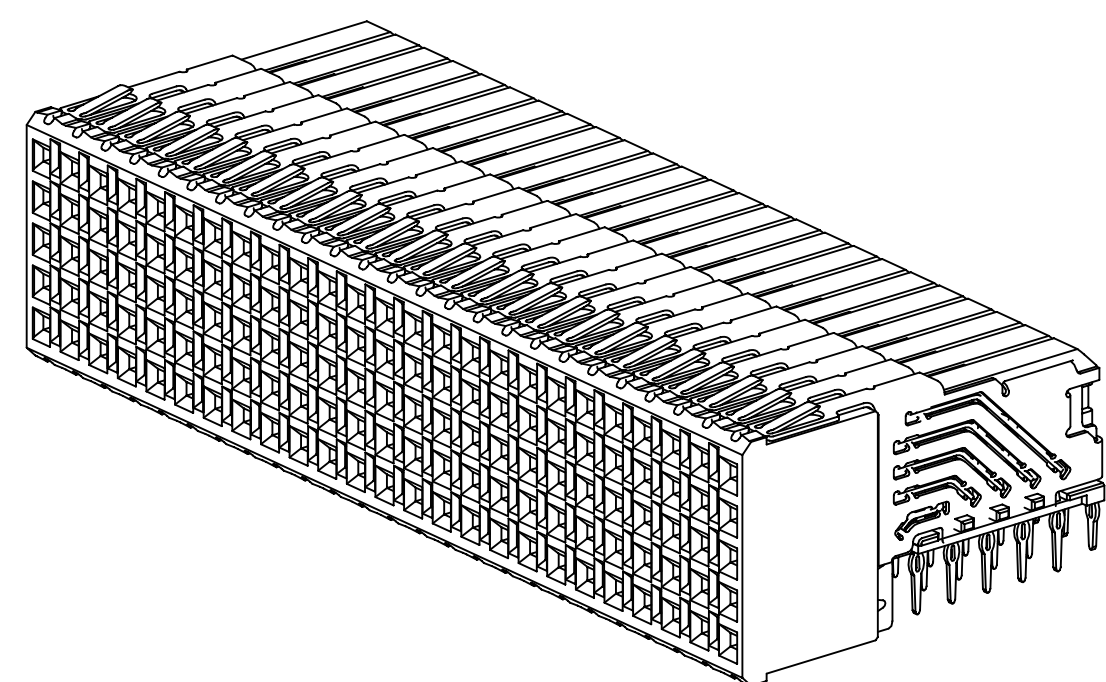
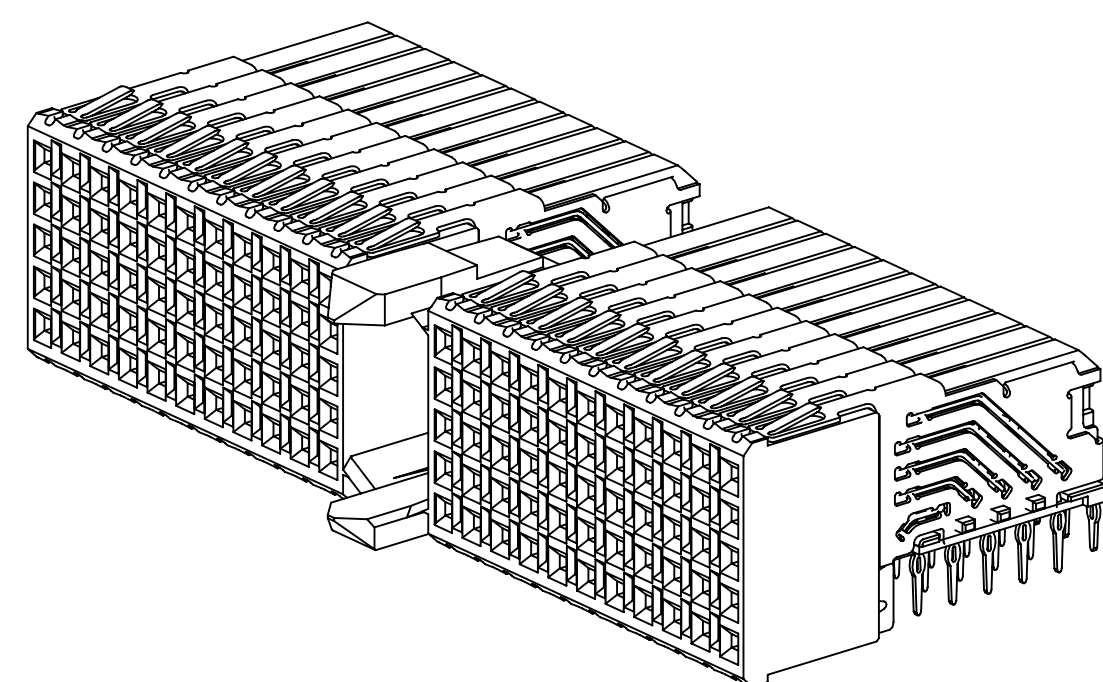


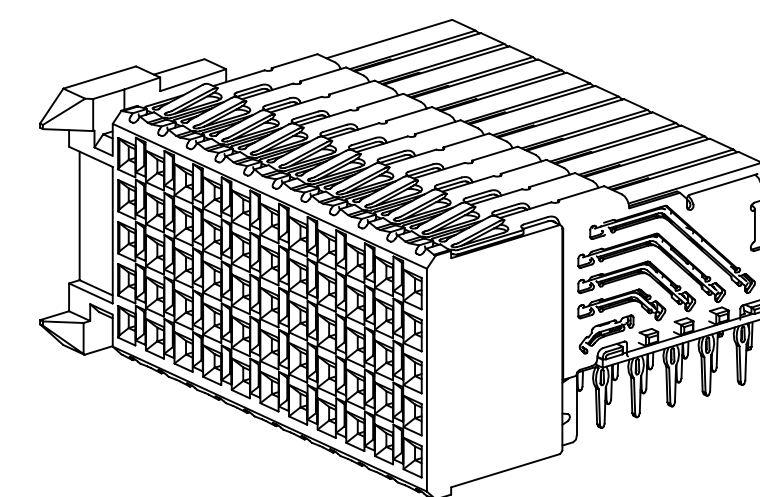
3M™ ULTRA HARD METRIC (UHM) PRESS-FIT SOCKET CONNECTORS, 5-ROW
FOR 2MM HARD METRIC APPLICATIONS



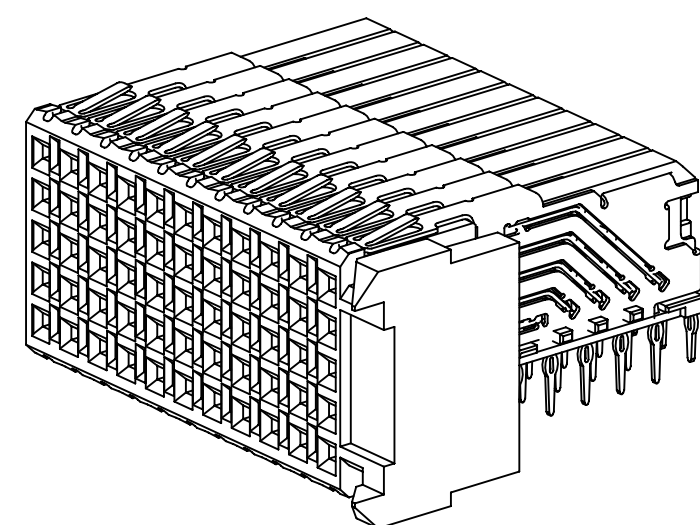
UHM-S055BX-5AP1-XXXXX
UHM-S095BX-5AP1-XXXXX
UHM-S110BX-5AP1-XXXXX
UHM-S125BX-5AP1-XXXXX



UHM-S110AX-5AP1-XXXXX



UHM-S055CLX-5AP1-XXXXX



UHM-S055CRX-5AP1-XXXXX

ORDERING INFORMATION
UHM-SXXXXYZ-5AP1-XXXXX

SOCKET POSITION AND TYPE

PLATING:

HIGH SPEED OPTION

0 = 50Ω COAXIAL SINGLE-ENDED AND 100Ω DIFFERENTIAL PAIR APPLICATIONS FOR CONNECTION TO 5 +2 ROW HEADERS OUTER ROW GROUND TAILS IN ODD POSITIONS OF ROW F/Z

3 = 50Ω COAXIAL SINGLE-ENDED AND 100Ω DIFFERENTIAL PAIR APPLICATIONS FOR CONNECTION TO 5 +2 ROW HEADERS OUTER ROW GROUND TAILS IN ALL POSITIONS OF ROW F/Z

TG30 = .76μm [30μIN] MIN. GOLD ON CONTACT AREA
2.54μm [100μIN] MIN. TIN/LEAD ON TERMINAL AREA (RIA C2 & E2 APPLY)
1.27μm [50μIN] MIN. NICKEL ALL OVER. STANDARD OPTION.

KR = .76μm [30μIN] MIN. GOLD ON CONTACT AREA
2.54μm [100μIN] MIN. MATTE TIN ON TERMINAL AREA (RIA C1 & E1 APPLY)
1.27μm [50μIN] MIN. NICKEL ALL OVER.

- NOTES
- MATERIAL:
PLASTIC: HIGH TEMP LCP, UL94V-0
CONTACTS: COPPER ALLOY.
 - REGULATORY INFORMATION:
ROHS COMPLIANT. SEE THE REGULATORY INFORMATION APPENDIX (RIA) IN THE "ROHS COMPLIANCE" SECTION OF WWW.3MCONNECTORS.COM FOR COMPLIANCE INFORMATION.
 - IN THE EVENT OF CONFLICT BETWEEN THIS DATA AND THAT CONTAINED IN THE PRODUCT SPECIFICATION, THE PRODUCT SPECIFICATION TAKES PRECEDENT.

MECHANICAL :

NORMAL FORCE (NOMINAL): .57N [58g] SIGNAL,
(.74N [75g] SHIELD WITH HSHM AND UHM HEADERS)
ENGAGEMENT FORCE (NOMINAL): .32N [33g] SIGNAL,
(.22N [22g] SHIELD WITH HSHM AND UHM HEADERS)
SEPARATION FORCE (NOMINAL): .20N [20g] SIGNAL,
(.20N [20g] SHIELD WITH HSHM AND UHM HEADERS)
WIPE (NOMINAL, SHORTEST CONTACT): 2.67 [.105] SIGNAL, 1.57 [.062] SHIELD
MATE/UNMATE CYCLES: 250
APPLICATION: THIS MODULE IS NOT SUITABLE FOR STAND-ALONE USE. ADDITIONAL GUIDE FEATURES RECOMMENDED PER IEC 61076-4-101

ELECTRICAL :

DATA RATE: 7+ Gbps DATA RATES
(WHEN MATED TO STANDARD IEC 61076-4-101 HEADERS)
CHARACTERISTIC IMPEDANCE: 50Ω SINGLE-ENDED, 100Ω DIFFERENTIAL
CURRENT RATING (FULLY LOADED): 1A @ 70°C SIGNAL
INSULATION RESISTANCE: 10⁴ MΩ @ 100 V_{dc}
WITHSTANDING VOLTAGE: 625V_{RMS}

ENVIRONMENTAL :

TEMPERATURE RATING: -55°C TO 125°C

3M ELECTRONIC SOLUTIONS DIVISION
INTERCONNECT SOLUTIONS
<http://www.3mconnectors.com>

3M IS A TRADEMARK OF 3M COMPANY.
FOR TECHNICAL, SALES OR ORDERING
INFORMATION CALL 800-225-5373

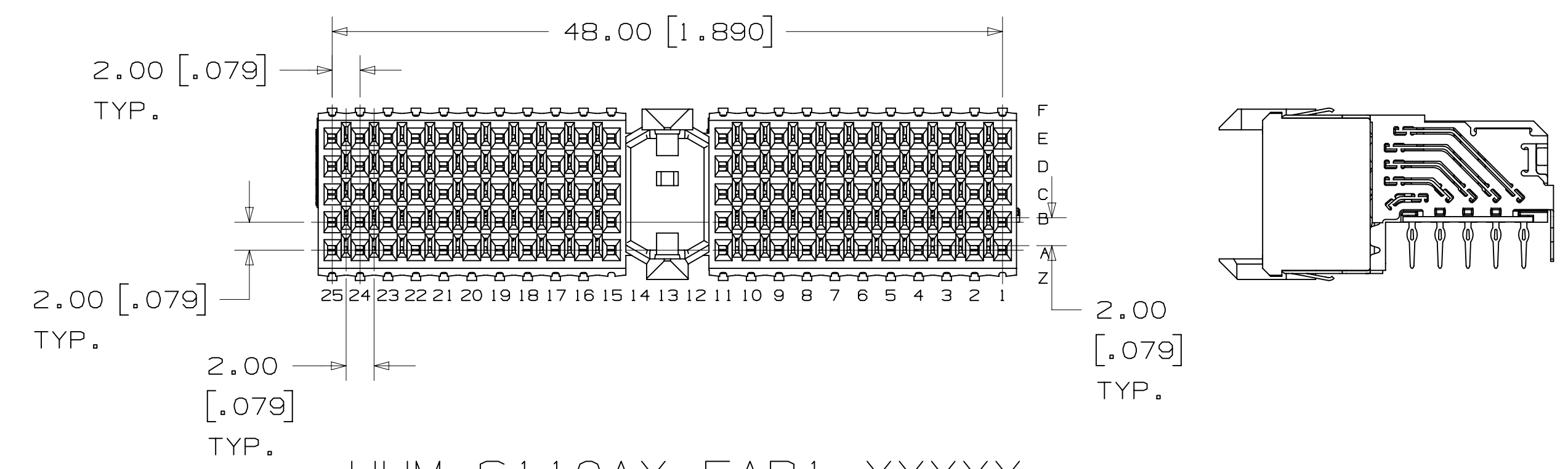
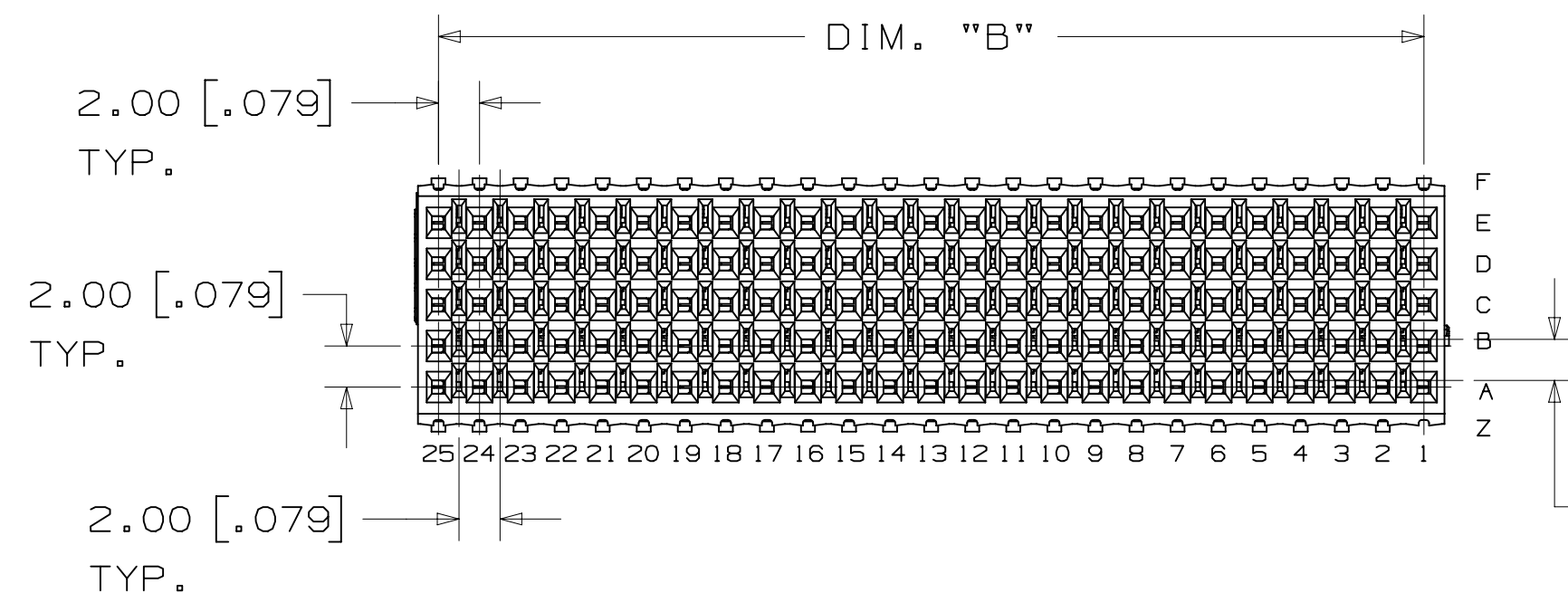
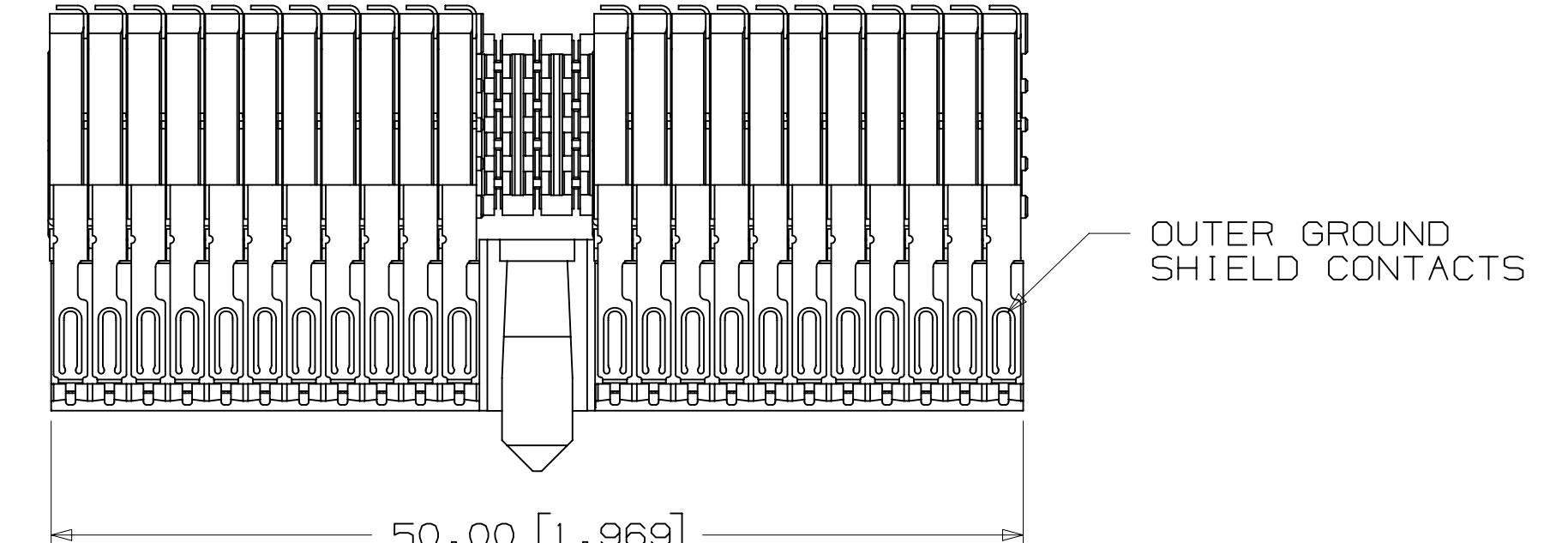
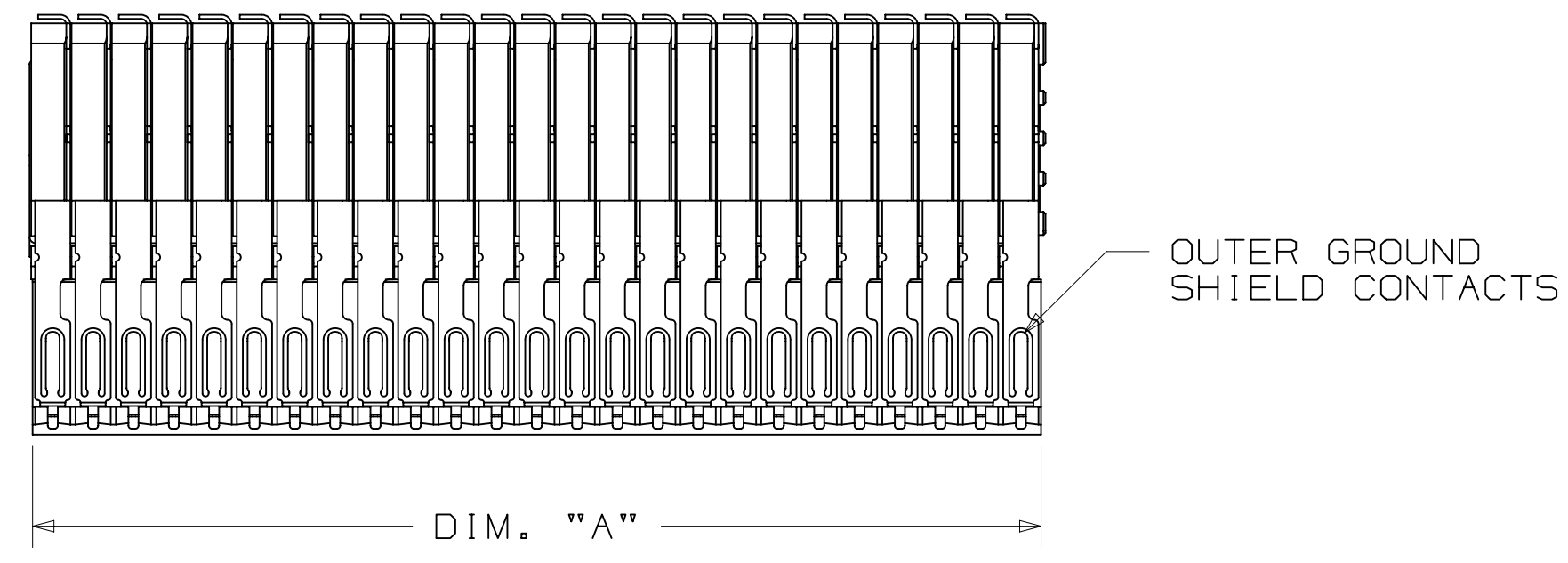
DESIGN REFERENCE	NEXT ASSEMBLY	REV	ECO	ISSUE DATE AND DESCRIPTION	DRFT	CHKD
		B	58359	DEC 04, 2014 REMOVE MKRT FEATURES & WITHSTANDING VOLTAGE WAS 750	JNC	TS
		A	41080	MAY 24, 2012 PRODUCTION RELEASE	JNC	TS
				MAY 23, 2012		
				MAY 23, 2012		

DIVISION Interconnect Solutions	DIVISION CODE ISD	DATE MAY 23, 2012	DATE MAY 23, 2012
DO NOT SCALE DRAWING	SCALE 3/1	TOLERANCES EXCEPT AS NOTED	
THIRD ANGLE PROJECTION	INTERPRET PER ASME Y14.5 - 2009	INCHES .00 ± .01 .000 ± .005 .0000 ±	MILLIMETERS 0 ± .0 ± .3 .00 ± .13 .000 ±
MAX SURFACE ROUGHNESS	SURFACES	MARKED ONLY	ANGLES

3M Center St. Paul, MN 55144		© 3M COPYRIGHT 2012 This document and the information it contains are 3M property and may not be reproduced or further distributed without 3M permission, or used or disclosed other than for 3M authorized purposes. All rights reserved.	
TITLE UHM PRESS-FIT SOCKET, 5-ROW, CONNECTORS		CAGE NUMBER D78-5100-2533-7	REV. B
MODEL		SHT 1 OF 3	

78-5100-2533-7
DRAWING NUMBER
REV B
IMAGED: B.1 12/4/2014 2:00 PM UTC-06:00

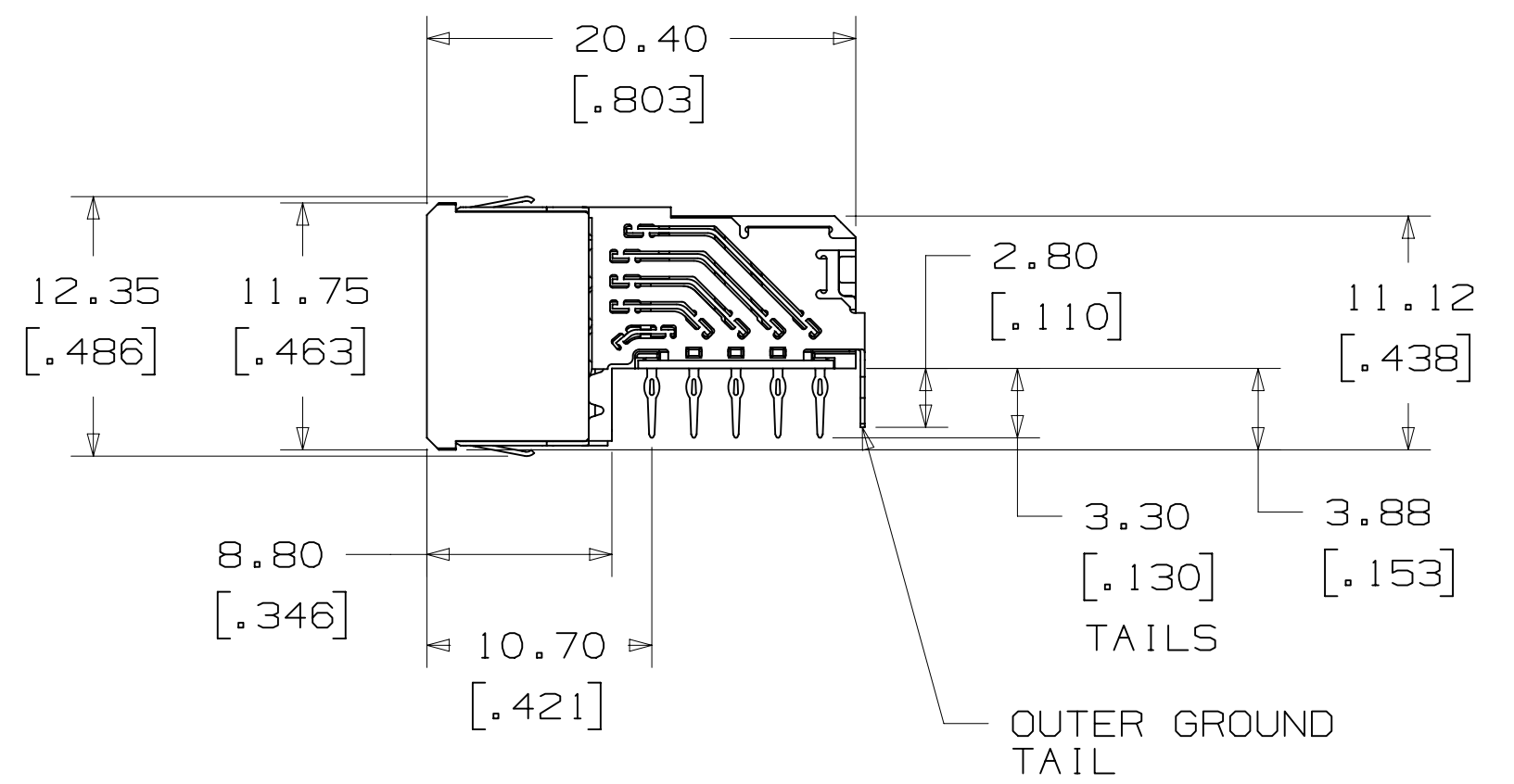
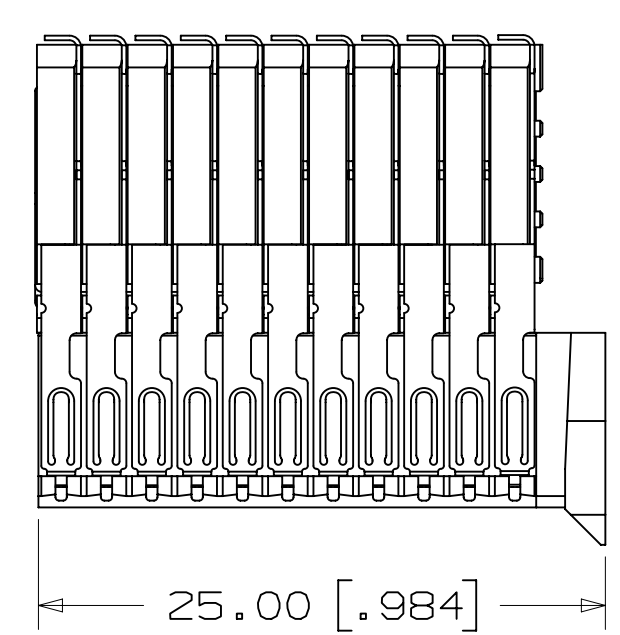
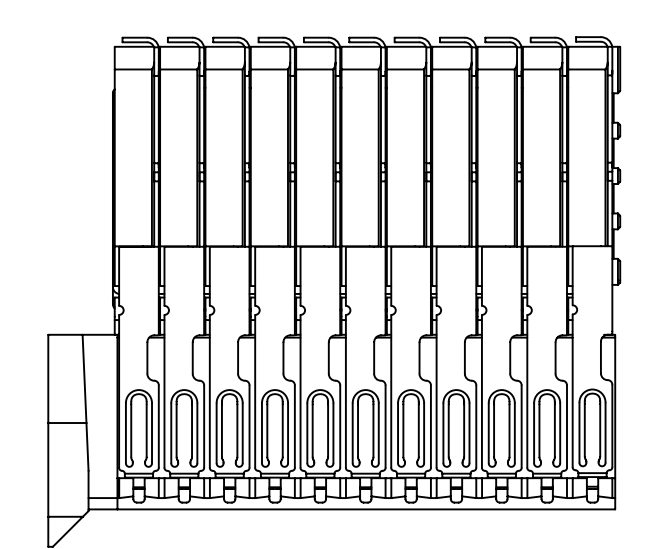
3M™ ULTRA HARD METRIC (UHM) PRESS-FIT SOCKET CONNECTORS, 5-ROW
 FOR 2MM HARD METRIC APPLICATIONS



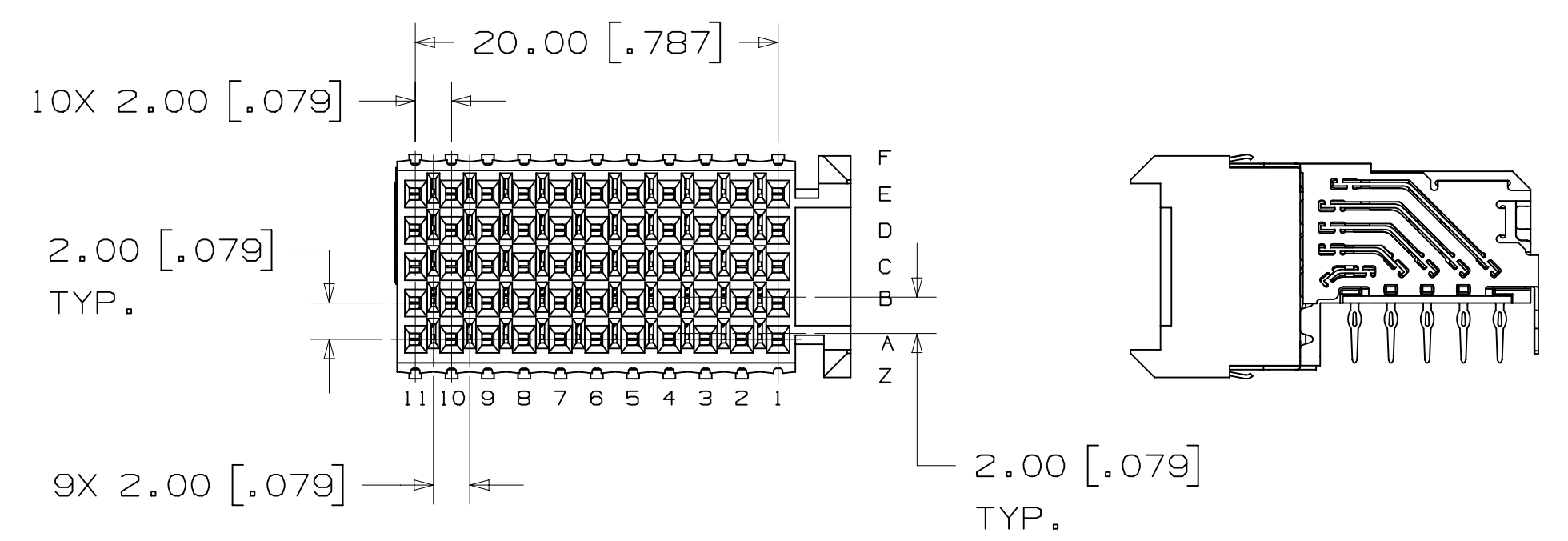
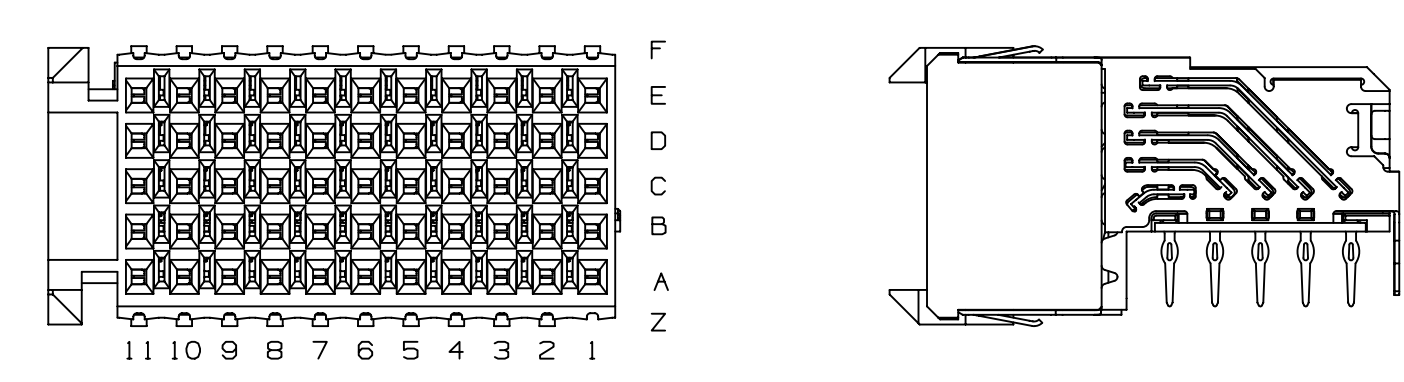
SIGNAL CONTACT QTY.	DIM. "A"	DIM. "B"
055	22.00 [.866]	20.00 [.787]
095	38.00 [1.496]	36.00 [1.417]
110	44.00 [1.732]	42.00 [1.654]
125	50.00 [1.969]	48.00 [1.890]

UHM-S055BX-5AP1-XXXXX
 UHM-S095BX-5AP1-XXXXX
 UHM-S110BX-5AP1-XXXXX
 UHM-S125BX-5AP1-XXXXX

UHM-S110AX-5AP1-XXXXX



TYPICAL SIDE VIEW DIMENSIONS FOR THE SOCKETS ON THIS DRAWING



UHM-S055CLX-5AP1-XXXXX

UHM-S055CRX-5AP1-XXXXX

DESIGN REFERENCE	NEXT ASSEMBLY	REV	ECO	ISSUE DATE AND DESCRIPTION	DRFT	CHKD
		CASTIGLIONE		MAY 23, 2012		
DIVISION CODES		DIVISION CODE		DATE		
Interconnect Solutions		ISD		MAY 23, 2012		
DO NOT SCALE DRAWING	SCALE 3/1	TOLERANCES EXCEPT AS NOTED		DATE		
THIRD ANGLE PROJECTION		INCHES		DATE		
INTERPRET PER ASME Y14.5 - 2009		MILLIMETERS		DATE		
MAX SURFACE ROUGHNESS		0		DATE		
SURFACES		0 ± .3		DATE		
MARKED ONLY		.00 ± .13		DATE		
		.000 ±		DATE		
		ANGLES		DATE		

B	58359	DEC 04, 2014	JNC	TS
REMOVE MKRT FEATURES & WITHSTANDING VOLTAGE WAS 750				
A	41080	MAY 24, 2012	JNC	TS
PRODUCTION RELEASE				

© 3M COPYRIGHT 2012
 This document and the information it contains are 3M property and may not be reproduced or further distributed without 3M permission, or used or disclosed other than for 3M authorized purposes. All rights reserved.

3M Center St. Paul, MN 55144

TITLE: UHM PRESS-FIT SOCKET, 5-ROW, CONNECTORS

CAGE NUMBER: D78-5100-2533-7

SIZE: B

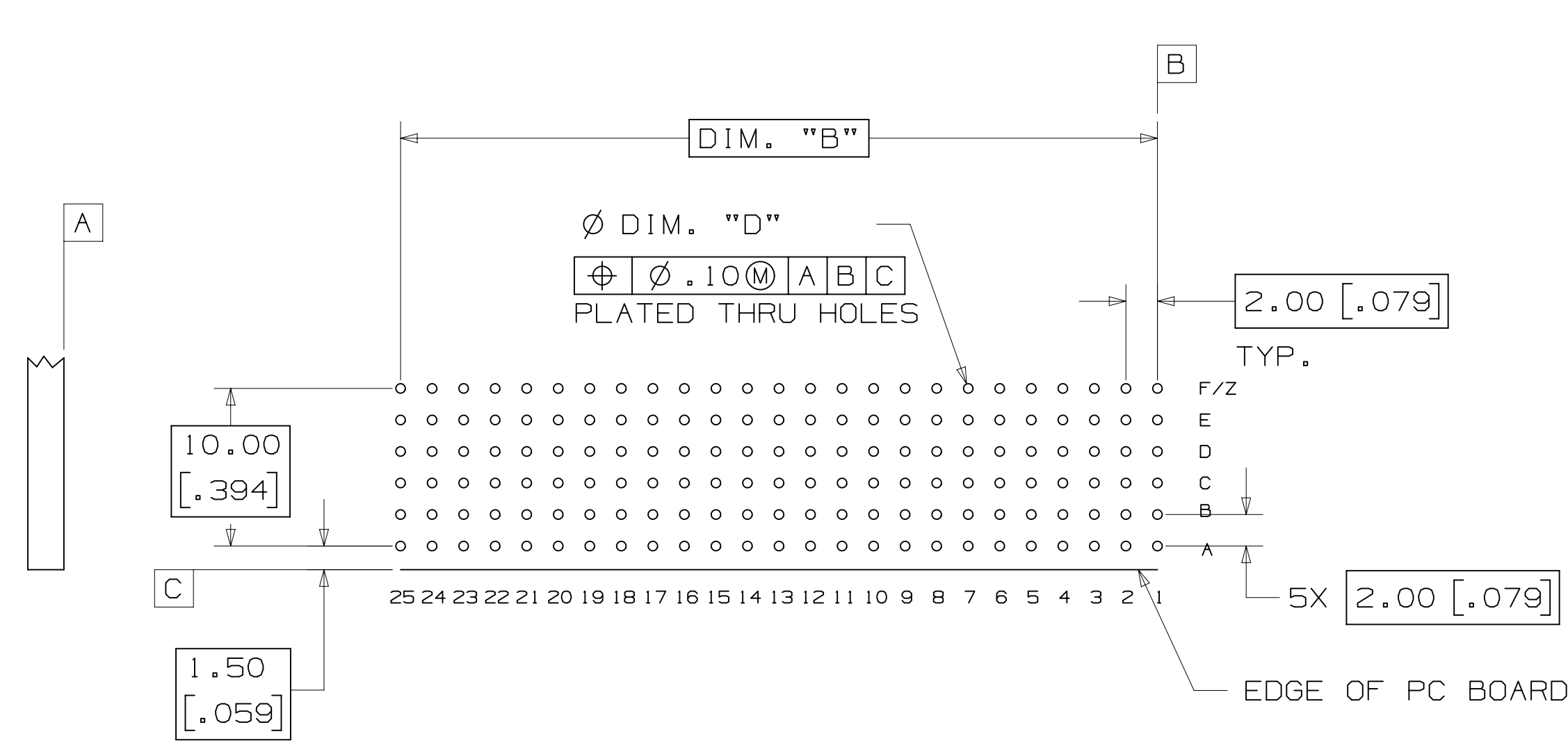
DRAWING NO.: D78-5100-2533-7

REV. B

MODEL: SHT 2 OF 3

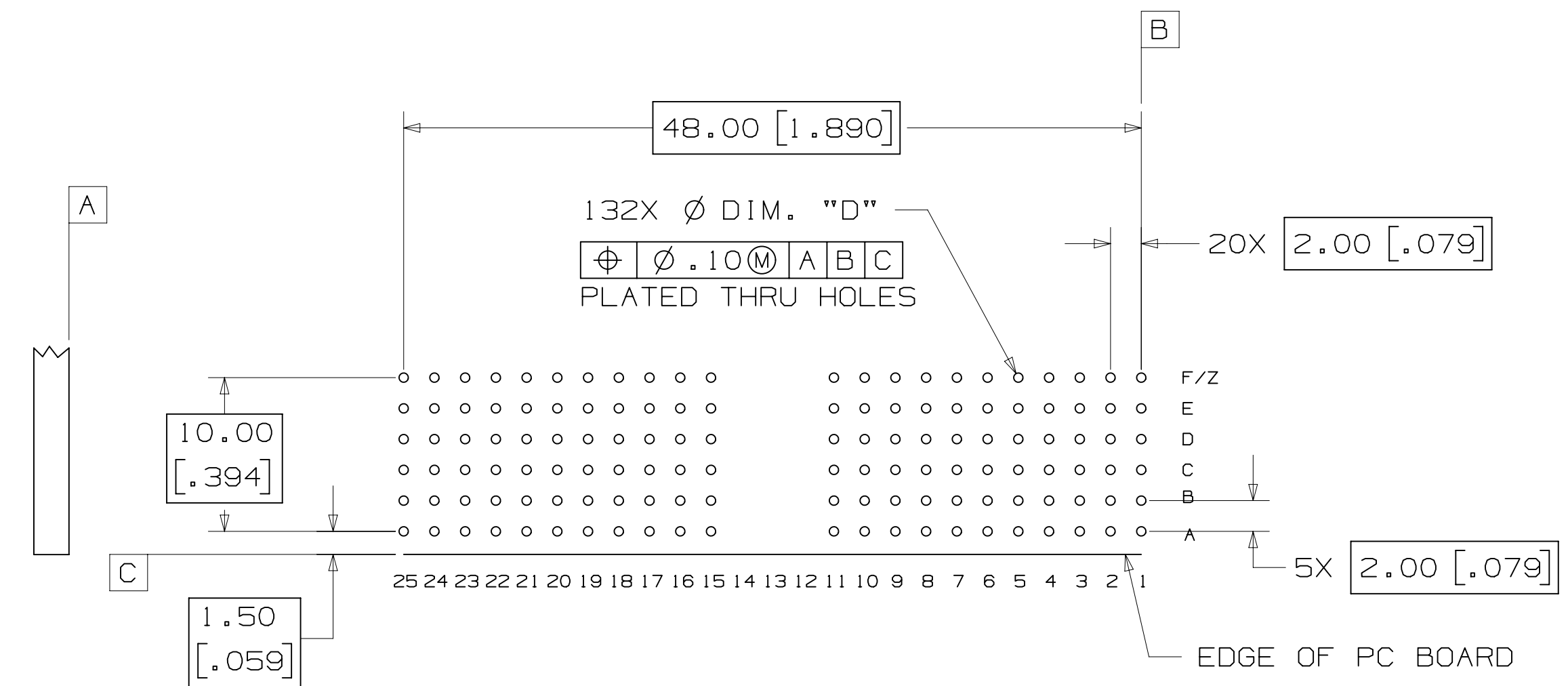
78-5100-2533-7
 B
 12/4/2014 2:00 PM UTC-06:00
 12/4/2014 2:00 PM UTC-06:00

3M™ ULTRA HARD METRIC (UHM) PRESS-FIT SOCKET CONNECTORS, 5-ROW
 FOR 2MM HARD METRIC APPLICATIONS



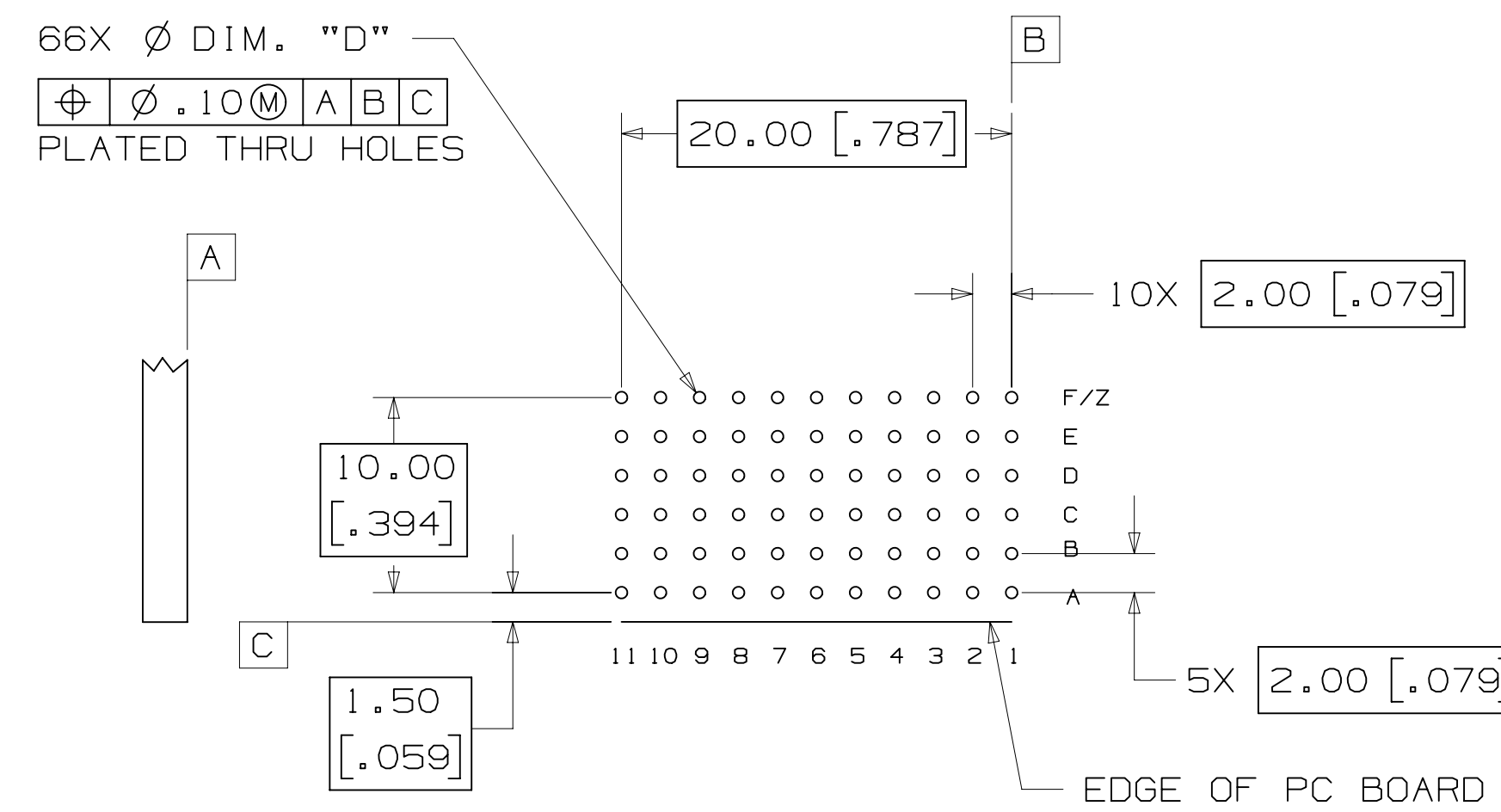
RECOMMENDED HOLE PATTERN FOR UHM-SXXXB0-5AP1
 CONTAINS NO VIAS IN EVEN POSITIONS ON ROW F/Z

- UHM-S055BX-5AP1-XXXXX
- UHM-S095BX-5AP1-XXXXX
- UHM-S110BX-5AP1-XXXXX
- UHM-S125BX-5AP1-XXXXX



RECOMMENDED HOLE PATTERN FOR UHM-S110A-5AP1
 CONTAINS NO VIAS IN EVEN POSITIONS ON ROW F/Z

UHM-S110AX-5AP1-XXXXX



RECOMMENDED HOLE PATTERN FOR UHM-S055CX-5AP1
 CONTAINS NO VIAS IN EVEN POSITIONS ON ROW F/Z

- UHM-S055CLX-5AP1-XXXXX
- UHM-S055CRX-5AP1-XXXXX

RECOMMENDED PCB MOUNTING HOLE PATTERN
 (VIEWED FROM COMPONENT SIDE)

HOLE PLATING TABLE				
HOLE	(FINISHED HOLE)	CU THICKNESS	SnPb THICKNESS	DRILLED HOLE DIA.
DIM. "D"	.550-.650 [.0217-.0256]	.025-.045 [.0010-.0018]	.008-.018 [.0003-.0007]	.686-.727 [.0270-.0286]

DESIGN REFERENCE	NEXT ASSEMBLY	REV	ECO	ISSUE DATE AND DESCRIPTION	DRFT	CHKD
DATE	DATE	DATE	DATE	DATE	DATE	DATE
DIVISION		DIVISION CODE		DATE		
Interconnect Solutions		ISD		MAY 23, 2012		
DO NOT SCALE DRAWING	SCALE 3/1	TOLERANCES EXCEPT AS NOTED		MAY 23, 2012		
THIRD ANGLE PROJECTION		INCHES		MAY 23, 2012		
INTERPRET PER ASME Y14.5 - 2009		MILLIMETERS		MAY 23, 2012		
MAX SURFACE ROUGHNESS		INCHES		MAY 23, 2012		
SURFACES		MILLIMETERS		MAY 23, 2012		
MARKED ONLY		ANGLES		MAY 23, 2012		

REV	ECO	ISSUE DATE AND DESCRIPTION	DRFT	CHKD
B	58359	DEC 04, 2014 REMOVE MKT FEATURES & WITHSTANDING VOLTAGE WAS 750	JNC	TS
A	41080	MAY 24, 2012 PRODUCTION RELEASE	JNC	TS

TITLE		CAGE NUMBER		DRAWING NO.		REV.	
UHM PRESS-FIT SOCKET, 5-ROW, CONNECTORS		D		78-5100-2533-7		B	

78-5100-2533-7
 B
 12/4/2014 2:00 PM UTC-06:00
 3 OF 3

X-ON Electronics

Largest Supplier of Electrical and Electronic Components

Click to view similar products for [Hard Metric Connectors](#) category:

Click to view products by [3M](#) manufacturer:

Other Similar products are found below :

[10146110-VR5C](#) [6345127-1](#) [646916-9](#) [6469658-1](#) [853016](#) [973108](#) [1-2000713-0](#) [1-2000713-2](#) [1-2000713-3](#) [120646-1](#) [134187](#) [1645343-1](#)
[1645456-1](#) [1645564-3](#) [1645594-1](#) [1645601-1](#) [1934822-1](#) [2000829-2](#) [2000985-2](#) [223085-1](#) [278071110010833](#) [1645179-1](#) [1645245-1](#)
[1645457-1](#) [1645525-1](#) [1645570-1](#) [1645596-1](#) [17-8072-125-000-863+](#) [1857470-1](#) [1934275-1](#) [1934289-1](#) [1934759-1](#) [2000670-2](#) [2000673-1](#)
[2000843-2](#) [2000984-2](#) [204975](#) [2170292-2](#) [2-536642-6](#) [3-100668-0](#) [3-106015-1](#) [352188-1](#) [352629-1](#) [3-646346-0](#) [3-646356-0](#) [3-646457-0](#) [3-646529-0](#) [3-646530-0](#) [5120823-1](#) [5120899-1](#)